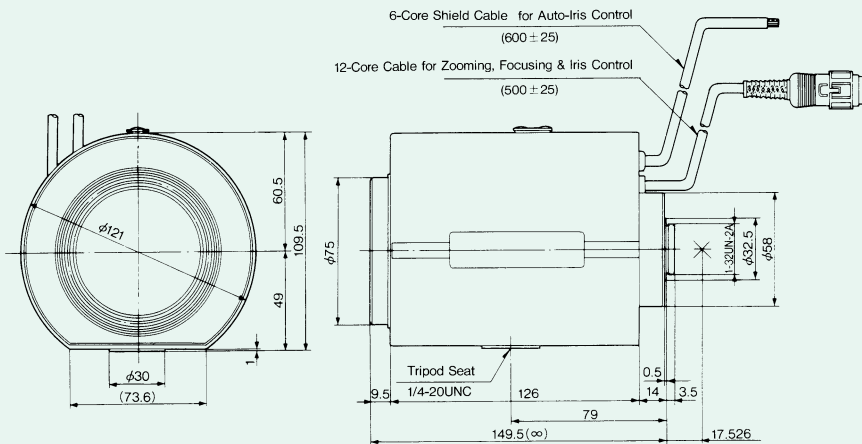


2/3 Format Motorized Zoom (Pre-set/Auto-Iris)

C10ZAME-P(C31003)

C-MOUNT
Unit:mm



Specification

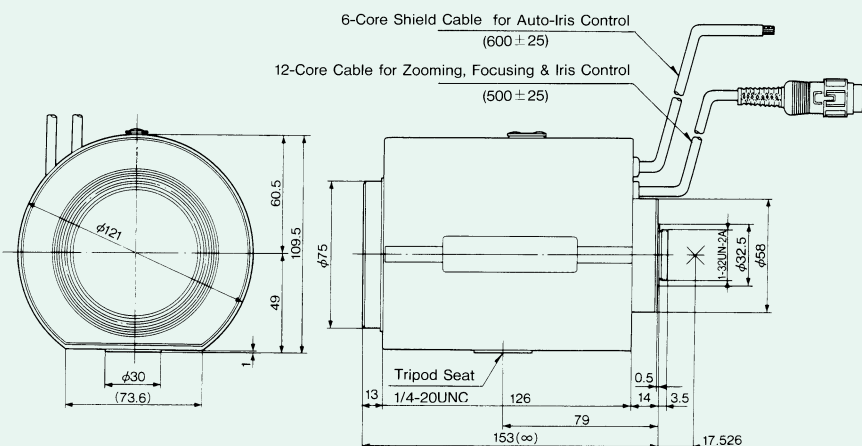
Focal Length	10.5~105mm	
Max. Aperture Ratio	1:1.4~1.6	
Iris Range	F1.4~1000	
Operation Method	Iris	Auto
	Focus	Motorized
	Zoom	Motorized
1/4 Format Angle of View	Horizontal	18.97~2.02
	Vertical	14.25~1.51
1/3 Format Angle of View	Horizontal	25.24~2.68
	Vertical	18.97~2.02
1/2 Format Angle of View	Horizontal	33.49~3.56
	Vertical	25.24~2.68
Min. Object Distance	1m	
Back Focal Length	18.49mm	
Flange Back Length	17.526mm	
Filter Size	$\phi 72.0\text{mm P}=0.75\text{mm}$	
Applicable Temp. Range	-10°C~+50°C	
Dimensions	121×109.5×149.5mm	
Weight	1420g	
Metering Method	Continuously Adj.	
Supply Vol. & Current	DC8~15V Max. 50mA	
Input Signal	VS or V Signal	
Iris Accuracy	±20% at V Signal Level	
Sensitivity Adj.	0.5~1.0Vp at V Signal Level	
Input Impedance	High Impedance	
Response Speed	Approx. 1.5 sec.	
Remarks	Video Iris	

		Focus	Zoom
Control Voltage & Current	Type1	DC6V Max. 45mA / Motor	DC6V Max. 45mA / Motor
	Type2	DC±12V Max. 35mA / Motor	DC±12V Max. 35mA / Motor
	Type3	DC±6V Max. 45mA / Motor	DC±6V Max. 45mA / Motor
	Type5	DC12V Max. 35mA / Motor	DC12V Max. 35mA / Motor
	Operation Speed	Type1	Approx. 5.5 sec.
Type2		Approx. 5.5 sec.	Approx. 5.5 sec.
Type3		Approx. 5.5 sec.	Approx. 5.5 sec.
Type5		Approx. 5.5 sec.	Approx. 5.5 sec.

2/3 Format Motorized Zoom (Pre-set/Auto-Iris)

C10ZAME-PI<For Infrared>(C31006)

C-MOUNT
Unit:mm



Specification

Focal Length	10.5~105mm	
Max. Aperture Ratio	1:1.6	
Iris Range	F1.6~1000	
Operation Method	Iris	Auto
	Focus	Motorized
	Zoom	Motorized
1/4 Format Angle of View	Horizontal	19.11~2.02
	Vertical	14.36~1.51
1/3 Format Angle of View	Horizontal	25.38~2.68
	Vertical	19.11~2.02
1/2 Format Angle of View	Horizontal	33.61~3.55
	Vertical	25.38~2.68
Min. Object Distance	3m	
Back Focal Length	16.23mm	
Flange Back Length	17.526mm	
Filter Size	$\phi 72.0\text{mm P}=0.75\text{mm}$	
Applicable Temp. Range	-10°C~+50°C	
Dimensions	121×109.5×153mm	
Weight	1430g	
Metering Method	Continuously Adj.	
Supply Vol. & Current	DC8~15V Max. 50mA	
Input Signal	VS or V Signal	
Iris Accuracy	±20% at V Signal Level	
Sensitivity Adj.	0.5~1.0Vp at V Signal Level	
Input Impedance	High Impedance	
Response Speed	Approx. 1.5 sec.	
Remarks	Video Iris	

		Focus	Zoom
Control Voltage & Current	Type1	DC6V Max. 45mA / Motor	DC6V Max. 45mA / Motor
	Type2	DC±12V Max. 35mA / Motor	DC±12V Max. 35mA / Motor
	Type3	DC±6V Max. 45mA / Motor	DC±6V Max. 45mA / Motor
	Type5	DC12V Max. 35mA / Motor	DC12V Max. 35mA / Motor
	Operation Speed	Type1	Approx. 5.0 sec.
Type2		Approx. 5.0 sec.	Approx. 5.5 sec.
Type3		Approx. 5.0 sec.	Approx. 5.5 sec.
Type5		Approx. 5.0 sec.	Approx. 5.5 sec.