

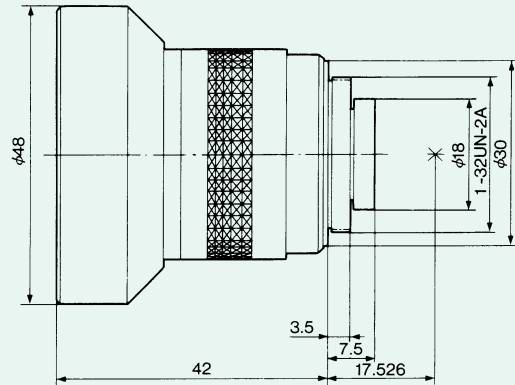
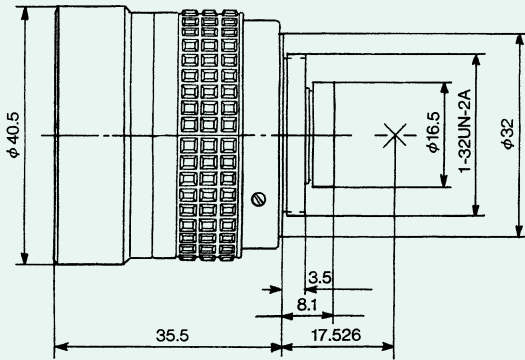
2/3, 1 Format Manual Iris

C418DX(C30405)

C-MOUNT
Unit:mm

B618CX-2(C20612)

C-MOUNT
Unit:mm



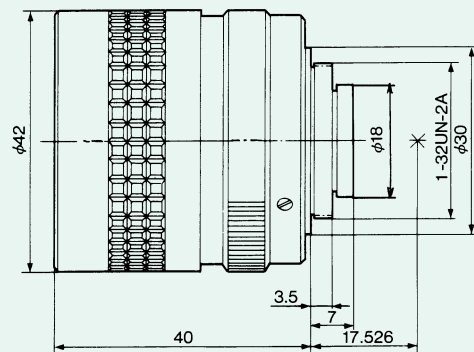
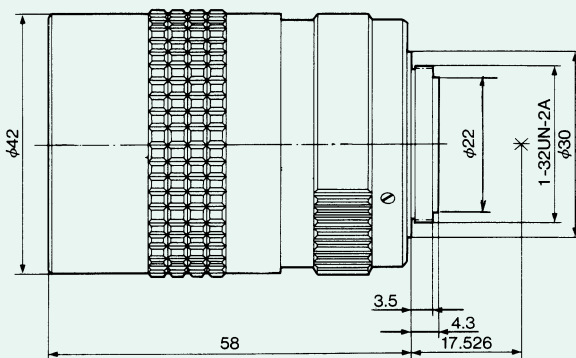
2/3, 1 Format Manual Iris

C814(C30808)

C-MOUNT
Unit:mm

C815B(C30811)

C-MOUNT
Unit:mm



■Specifications		C418DX	B618CX-2	C814	C815B
Focal Length		4.8mm	6.5mm	8mm	8.5mm
Max. Aperture Ratio		1:1.8	1:1.8	1:1.4	1:1.5
Iris Range		F1.8~Close	F1.8~Close	F1.4~Close	F1.5~Close
Operation Method	Iris	Manual	Manual	Manual	Manual
	Focus	Fixed	Fixed	Manual	Manual
	Zoom	—	—	—	—
1/4 Format Angle of View	Horizontal	41.68	29.94	25.15	24.02
	Vertical	31.40	22.51	18.93	18.07
1/3 Format Angle of View	Horizontal	55.11	39.73	33.31	31.87
	Vertical	41.68	29.94	25.15	24.02
1/2 Format Angle of View	Horizontal	72.37	52.52	43.88	42.09
	Vertical	55.11	39.73	33.31	31.87
Min. Object Distance		0.3m	0.2m	0.2m	0.2m
Back Focal Length		9.7mm	10.19mm	14.6mm	10.9mm
Flange Back Length		17.526mm	17.526mm	17.526mm	17.526mm
Filter Screw Size		—	—	φ 40.5mm P=0.5mm	φ 40.5mm P=0.5mm
Temperature Range		-20°C~+50°C	-20°C~+50°C	-20°C~+50°C	-20°C~+50°C
Dimensions		φ 40.5×35.5mm	φ 48×42mm	φ 42×58mm	φ 42×40mm
Weight		105g	120g	160g	120g
Remarks		Lock Screw Extra	—	—	Lock Screw Extra