

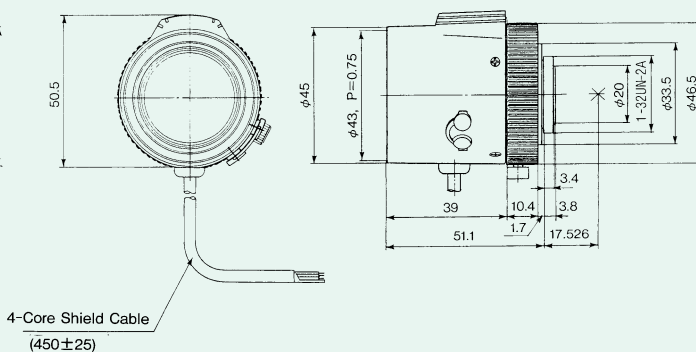
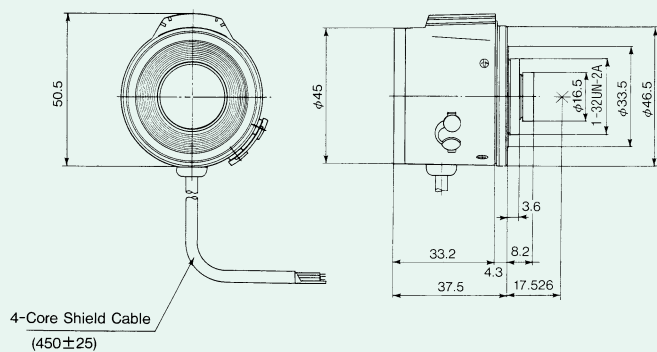
2/3, 1 Format Auto-Iris

■ C418E(C30407)

C-MOUNT
Unit:mm

■ C814E(C30821)

C-MOUNT
Unit:mm



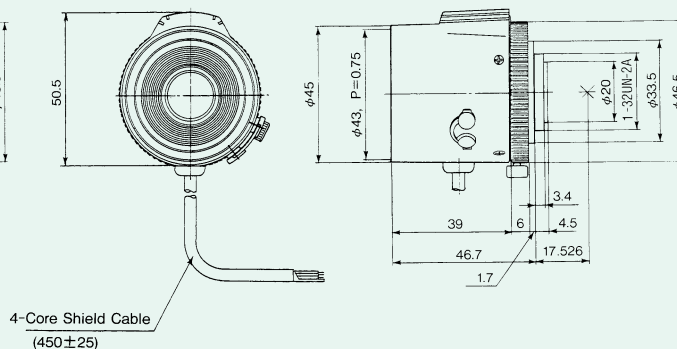
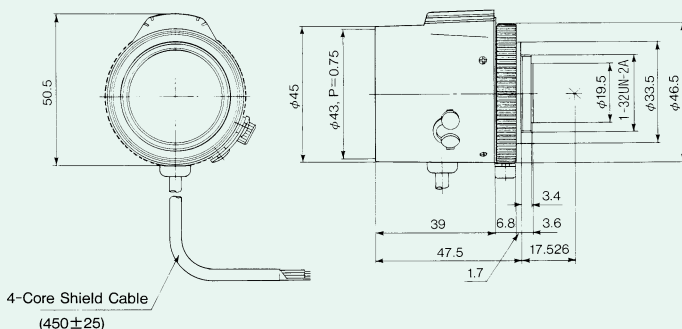
2/3, 1 Format Auto-Iris

■ B1214E(C21223)

C-MOUNT
Unit:mm

■ C1614E(C31632)

C-MOUNT
Unit:mm



■ Specifications		C418E	C814E	B1214E	C1614E
Focal Length		4.8mm	8mm	12.5mm	16mm
Max. Aperture Ratio		1:1.8	1:1.4	1:1.4	1:1.4
Iris Range		F1.8~360	F1.4~360	F1.4~360	F1.4~360
Operation Method	Iris	Auto	Auto	Auto	Auto
	Focus	Fixed	Manual	Manual	Manual
	Zoom	—	—	—	—
1/4 Format Angle of View	Horizontal	41.27	25.10	16.21	12.70
	Vertical	31.10	18.91	12.19	9.54
1/3 Format Angle of View	Horizontal	54.57	33.22	21.53	16.91
	Vertical	41.27	25.10	16.21	12.70
1/2 Format Angle of View	Horizontal	71.65	43.67	28.51	22.48
	Vertical	54.57	33.22	21.53	16.91
Min. Object Distance		0.3m	0.2m	0.3m	0.5m
Back Focal Length		9.71mm	14.5mm	14.4mm	13.2mm
Flange Back Length		17.526mm	17.526mm	17.526mm	17.526mm
Filter Screw Size		—	φ 43mm P=0.75mm	φ 43mm P=0.75mm	φ 43mm P=0.75mm
Temperature Range		-20°C~+50°C	-20°C~+50°C	-20°C~+50°C	-20°C~+50°C
Dimensions		46.5×50.5×37.5mm	46.5×50.5×51.1mm	46.5×50.5×47.5mm	46.5×50.5×46.7mm
Weight		120g	140g	140g	110g
Remarks		Video Iris	Video Iris	Video Iris	Video Iris