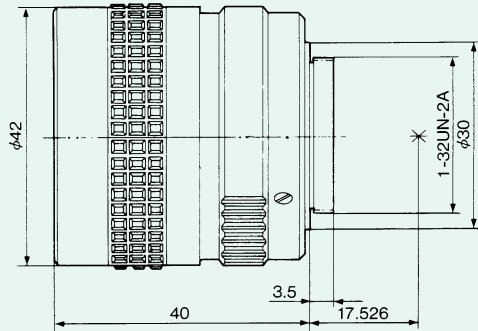


2/3, 1 Format Manual Iris

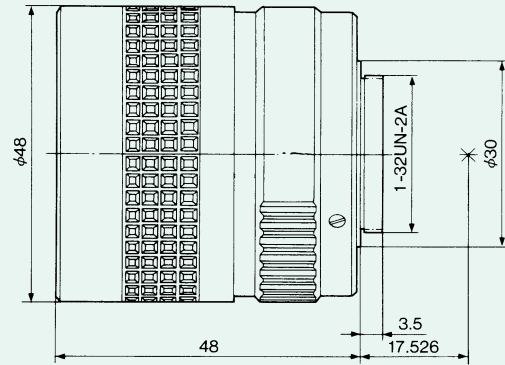
■ B2518(C22516)

C-MOUNT
Unit:mm



■ B5014A(C25011)

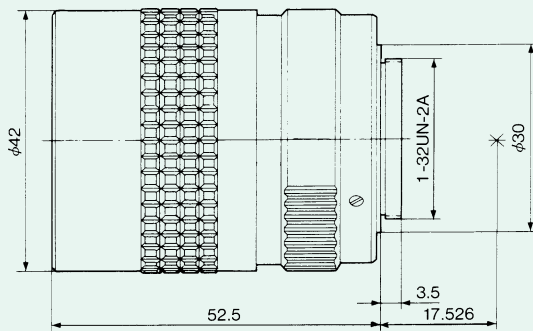
C-MOUNT
Unit:mm



2/3, 1 Format Manual Iris

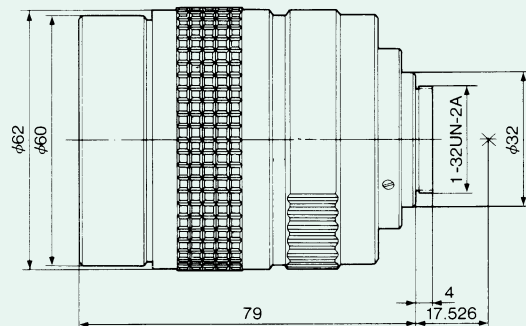
■ B5018A-3(C25010)

C-MOUNT
Unit:mm



■ B7514C(C27509)

C-MOUNT
Unit:mm



■ Specifications		B2518	B5014A	B5018A-3	B7514C
Focal Length		25mm	50mm	50mm	75mm
Max. Aperture Ratio		1:1.8	1:1.4	1:1.8	1:1.4
Iris Range		F1.8~Close	F1.4~Close	F1.8~Close	F1.4~Close
Operation Method	Iris	Manual	Manual	Manual	Manual
	Focus	Manual	Manual	Manual	Manual
	Zoom				
1/4 Format Angle of View	Horizontal	8.23	4.13	4.13	2.75
	Vertical	6.18	3.10	3.10	2.06
1/3 Format Angle of View	Horizontal	10.95	5.50	5.50	3.67
	Vertical	8.23	4.13	4.13	2.75
1/2 Format Angle of View	Horizontal	14.55	7.32	7.32	4.90
	Vertical	10.95	5.50	5.50	3.67
Min. Object Distance		0.6m	1m	1m	1.2m
Back Focal Length		14.9mm	18.1mm	31.7mm	18.5mm
Flange Back Length		17.526mm	17.526mm	17.526mm	17.526mm
Filter Screw Size		φ 40.5mm P=0.5mm	φ 46mm P=0.75mm	φ 40.5mm P=0.5mm	φ 58mm P=0.75mm
Temperature Range		-20°C~+50°C	-20°C~+50°C	-20°C~+50°C	-20°C~+50°C
Dimensions		φ 42×40mm	φ 48×48mm	φ 42×52.5mm	φ 62×79mm
Weight		87g	180g	130g	450g
Remarks		Lock Screw Extra	Lock Screw Extra	Lock Screw Extra	Lock Screw Extra