

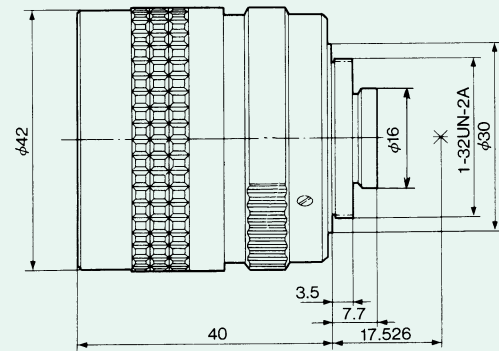
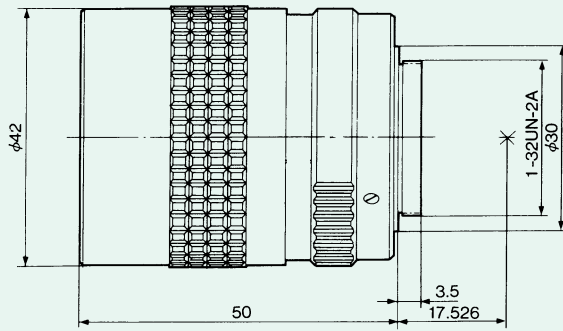
2/3, 1 Format Manual Iris

B1214D-2(C21211)

C-MOUNT
Unit:mm

B1218-2(C21212)

C-MOUNT
Unit:mm



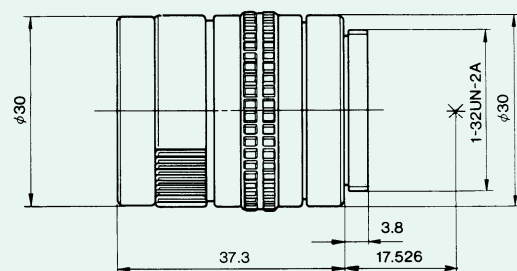
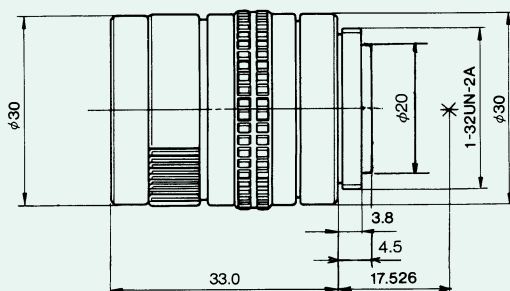
2/3, 1 Format Manual Iris

C1614A(C31630)

C-MOUNT
Unit:mm

B2514D(C22525)

C-MOUNT
Unit:mm



■Specifications		B1214D-2	B1218-2	C1614A	B2514D
Focal Length		12.5mm	12.5mm	16mm	25mm
Max. Aperture Ratio		1:1.4	1:1.8	1:1.4	1:1.4
Iris Range		F1.4~Close	F1.8~Close	F1.4~22	F1.4~22
Operation Method	Iris	Manual	Manual	Manual	Manual
	Focus	Manual	Manual	Manual	Manual
	Zoom	—	—	—	—
1/4 Format Angle of View	Horizontal	16.21	16.48	12.70	8.23
	Vertical	12.19	12.38	9.54	6.17
1/3 Format Angle of View	Horizontal	21.53	21.90	16.91	10.97
	Vertical	16.21	16.48	12.70	8.23
1/2 Format Angle of View	Horizontal	28.51	29.01	22.48	14.62
	Vertical	21.53	21.90	16.91	10.97
Min. Object Distance		0.3m	0.3m	0.3m	0.3m
Back Focal Length		14.4mm	10.1mm	13.2mm	14.98mm
Flange Back Length		17.526mm	17.526mm	17.526mm	17.526mm
Filter Screw Size		φ 40.5mm P=0.5mm	φ 40.5mm P=0.5mm	φ 27mm P=0.5mm	φ 27mm P=0.5mm
Temperature Range		-20°C~+50°C	-20°C~+50°C	-20°C~+50°C	-20°C~+50°C
Dimensions		φ 42×50mm	φ 42×40mm	φ 30×33mm	φ 30×37.3mm
Weight		135g	95g	58g	76g
Remarks		Lock Screw Extra	Lock Screw Extra	Lock Screw Extra	Lock Screw Extra