



PRODUCT SPECIFICATION

WM2000 Mount

WALL MOUNT, HEAVY DUTY, ENCLOSURE AND PAN/TILT



Product Features

- Wall Mounting
- Can Also be Used in Corner, Pole, and Parapet Applications when used with Appropriate Mount Adapter
- Supports up to 75 Pounds (34 kg); 150 Pounds (68 kg) when used with ST1 Strut
- For use with Medium- and Heavy-Duty Pan/Tilts or Enclosures
- Cable Feedthrough Holes (Top and End of Arm); Removable Plastic Cap on Front End

The **WM2000** is a universal wall mount designed for use with medium- and heavy-duty pan/tilts or enclosures. Constructed from aluminum, the **WM2000** will safely support up to 75 pounds (34 kg). When used with the ST1 support strut, the maximum load is increased to 150 pounds (68 kg). Optional mount adapters are available for corner, pole and parapet applications.

The **WM2000** can be adapted for use with enclosures when used with the AH1000 or AH2000 adjustable head. The AH1000 and AH2000 allow 360 degree positioning of the enclosure; the AH1000 is for use with EH4700 Series enclosures and the AH2000 is for use with EH5700, EH6740-1, EH8106, EH8108 and EHX*E Series enclosures.

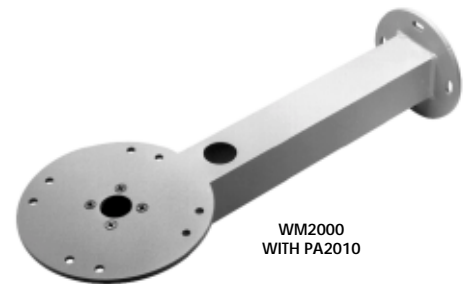
In certain applications, the AH1000 or AH2000 can be utilized alone.

When mounting a pan/tilt on the WM2000, the appropriate adapter (PA2000/PA2010) must be used (see *Related Products*).

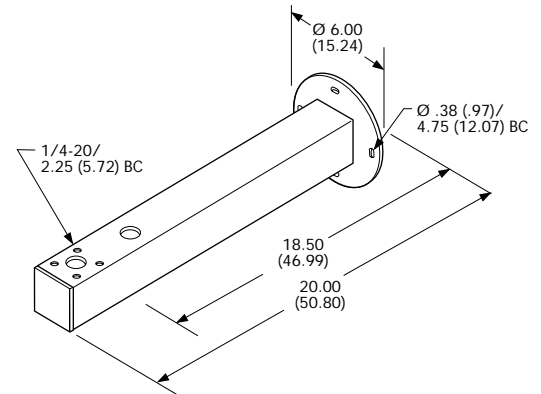
Adapters are available for corner (CM100), pole (PA102) and parapet (PP100) applications (see *Optional Adapters*).



WM2000 WITH AH2000



WM2000 WITH PA2010



NOTE: VALUES IN PARENTHESES ARE CENTIMETERS; ALL OTHERS ARE IN INCHES.

WM2000 DIMENSION DRAWING

MODELS/TECHNICAL SPECIFICATIONS

WM2000 and Related Products

MODELS

WM2000 Universal wall mount for pan/tilts and enclosures

RELATED PRODUCTS

AH1000 Manually adjustable pan/tilt head for use with EH4700 Series enclosures

AH2000 Manually adjustable pan/tilt head for use with EH5700, EH6740-1, EH8106, EH8108 and EHX*E Series enclosures

PA2000 Mount adapter for PT520P, PT520SL, PT570P, PT570-24P, PT680-24P and PT680-24SL pan/tilts, PS30A, PS30-24 scanners or PT7700 Series integrated positioning system

PA2010 Mount adapter for PT1250DC, PT1250P, PT1280P, PT1280SL, and PT1260EX heavy duty pan/tilts

ST1 Support strut; for use with WM2000. Increases maximum load to 150 lb (68 kg)

OPTIONAL ADAPTERS

CM100 Corner mount adapter for WM2000 mount

PA102 Pole mount adapter for WM2000 mount

PP100 Parapet mount for WM2000 mount (See C245 spec)

SCM100 Corner mount adapter for ST1 strut

SPA102 Pole mount adapter for ST1 strut

MECHANICAL

Pan Adjustment 360° (models AH1000 and AH2000 only)

Tilt Adjustment ±90° (models AH1000 and AH2000 only)

Mounting Method Secure to a solid surface with fasteners of a suitable size (not supplied)

GENERAL

Construction Aluminum

Finish Gray polyester powder coat

Maximum Load 75 lb (34 kg); 150 lb (68 kg) when used with ST1 strut

Weight	Unit	Shipping
AH1000	0.88 lb (.40 kg)	2 lb (.90 kg)
AH2000	2.92 lb (1.32 kg)	4 lb (1.81 kg)
PA2000	0.63 lb (.28 kg)	1 lb (.45 kg)
PA2010	1.28 lb (.58 kg)	2 lb (.90 kg)
ST1	1.34 lb (.61 kg)	3 lb (1.35 kg)
WM2000	3.07 lb (1.39 kg)	5 lb (2.26 kg)

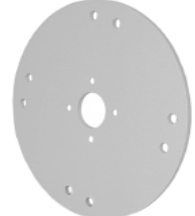


AH1000

AH2000



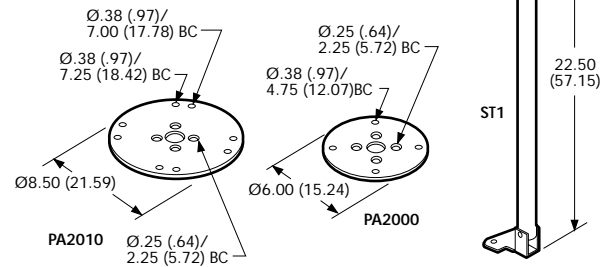
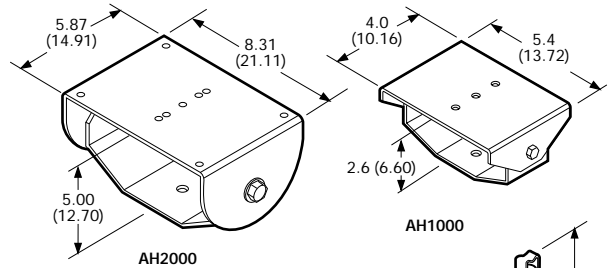
PA2000



PA2010



ST1



NOTE: VALUES IN PARENTHESES ARE CENTIMETERS; ALL OTHERS ARE IN INCHES.

CERTIFICATIONS

◆ UL listed to Standard 2044

MODELS/TECHNICAL SPECIFICATIONS

Corner Adapters

MODELS

CM100	Corner mount adapter for WM2000 Wall Mount
SCM100	Corner mount adapter for ST1 Support Strut

MECHANICAL

Adapter Mounting	Four 5/16-inch studs provided for mounting the WM2000 to CM100 (nuts and split lock washers supplied). Three 5/16-inch studs provided for mounting ST1 strut to the SCM100 (nuts and split lock washers supplied).
------------------	---

Suggested Mounting Method	Secure to solid mounting surface with fasteners of a suitable size. (Fasteners are not supplied.)
---------------------------	---

CM100	Eight required
SCM100	Four required
Maximum Load	
CM100	75 lb (34 kg)
CM100 with SCM100	150 lb (68 kg)

GENERAL

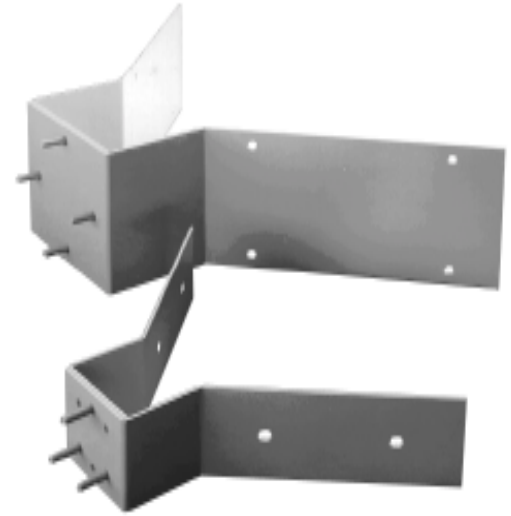
Construction	.125-inch (3.17 mm) thick, 5052H32 aluminum
Finish	Gray polyester powder coat

Unit Weight	
CM100	3 lb (1.4 kg)
SCM100	1.5 lb (0.6 kg)

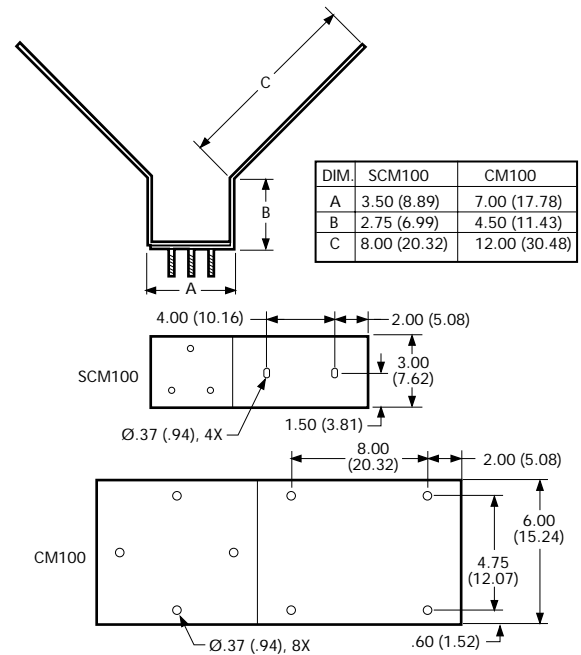
Shipping Weight	
CM100	5 lb (2.3 kg)
SCM100	2 lb (0.9 kg)

CERTIFICATIONS

- ◆ UL listed to Standard 2044



CM100 (TOP) AND SCM100 (BOTTOM)



NOTE: VALUES IN PARENTHESES ARE CENTIMETERS; ALL OTHERS ARE IN INCHES.



MODELS/TECHNICAL SPECIFICATIONS

Pole Adapters

MODELS

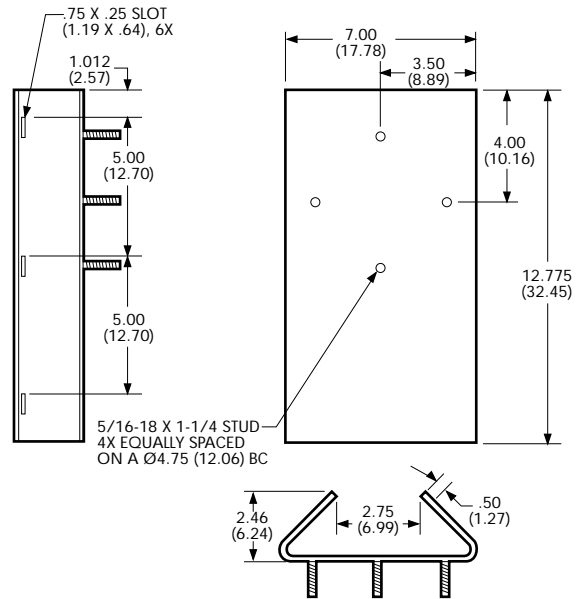
PA102	Pole mount adapter for WM2000 mount.
SPA102	Pole mount adapter for ST1 strut

GENERAL

Construction	Aluminum, .125-inch (3.17 mm) thick
Mount	Aluminum, .125-inch (3.17 mm) thick
PEM Studs	Stainless steel
Adapter Mounting	Four 5/16-inch studs
PA102	Three 1/4-inch studs
SPA102	(Nuts to secure mount to adapter are not supplied.)
Suggested Mounting Method	Slots are provided for mounting straps; stainless steel straps supplied. Strap length 28.5 inches (77.38 cm)
Maximum Load	Will support maximum load specified for WM2000 mount: 75 lb (33.97 kg); 150 lb (67.95 kg) when used with ST1 strut and SPA102
Unit Weight	
PA102	3.35 lb (1.52 kg)
SPA102	1.83 lb (0.83 kg)
Shipping Weight	
PA102	5 lb (2.27 kg)
SPA102	3 lb (1.36 kg)

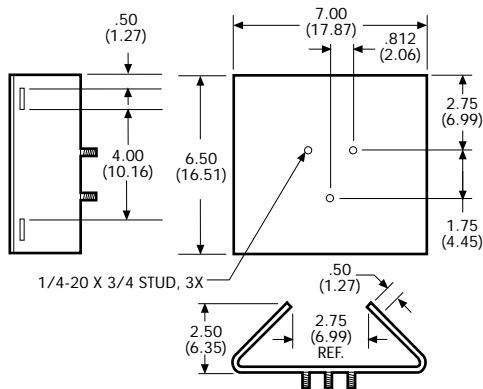
CERTIFICATIONS

- ◆ UL listed to Standard 2044



NOTE: VALUES IN PARENTHESES ARE CENTIMETERS; ALL OTHERS ARE IN INCHES.

PA102 DIMENSION DRAWING



NOTE: VALUES IN PARENTHESES ARE CENTIMETERS; ALL OTHERS ARE IN INCHES.

SPA102 DIMENSION DRAWING

Parapet Adapter

(See PP100 specification sheet C245)

Indicates change or addition since last revision.

Pelco • 3500 Pelco Way • Clovis, CA 93612-5699 • Pelco Online @ www.pelco.com
 In the US and Canada: Tel (800) 289-9100 • FAX (800) 289-9150 • DataFAX (800) 289-9108
 International Customers: Tel +1(559) 292-1981 • FAX +1(559) 348-1120 • DataFAX +1(559) 292-0435

Specifications subject to change without notice.
 ©Copyright 2000, Pelco. All rights reserved.