



WCS Series Power Supply

24 VAC POWER SUPPLY, OUTDOOR

Product Features

- 4 or 20 Amp Capacities
- 1-4 Outputs
- 120 VAC or 230 VAC Selectable Input
- 24 VAC Output or 28 VAC Output for Longer Wire Runs
- Meets NEMA Type 4X/IP66 Standards for Weatherproof Enclosure
- AC Power Indicator with Power On/Off Switch
- Compatible with Cameras, Domes, and Pan/Tilts
- WCS4-20B Has Class 2 Rated Outputs



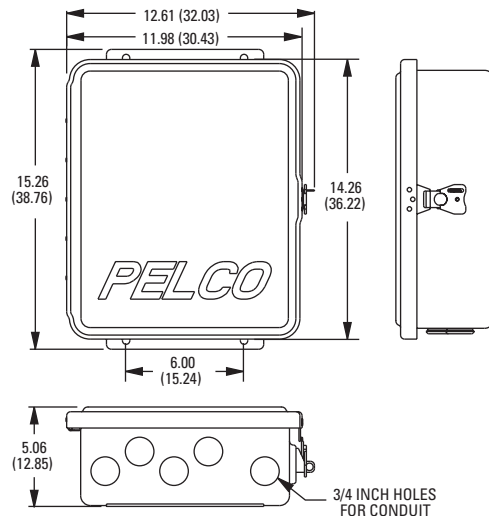
WCS4-20/WCS4-20B

Power supplies in the WCS Series offer a variety of configurations for powering up to four outdoor units from a single power source.

The power supplies provide 24 VAC output for 1–4 units, depending on the model selected. To compensate for voltage losses over long wire runs, 28 VAC outputs also are available on the WCS4-20. The power supplies have a selectable input of 120 or 230 VAC.

For integrated systems such as Spectra® and Esprit®, the power supplies are capable of handling pan/tilt, heater, and blower operation in addition to the camera (see application chart).

The WCS1-4 has one fused output and is capable of handling up to 4 amps (100 VA) of total load. The WCS4-20 is a four-output supply capable of handling up to 20 amps (480 VA) of total load. This model is available with either fuses or self-resetting circuit breakers on each output. Fuses provide a greater degree of protection for the unit because they are faster acting and more precise. Circuit breakers will self-reset when the fault is corrected, eliminating the need for replacing fuses. However, the amount of current required to trip a circuit breaker can vary as much as 100 percent, depending on temperature. In the fused models, the values of fuses can be changed depending upon the specific current requirements of the equipment connected.



NOTE: VALUES IN PARENTHESES ARE CENTIMETERS; ALL OTHERS ARE INCHES.



DataFAX
SPEC: 2654
MANUAL: 25616 (WCS1-4), 26546 (WCS4-20)

C654 / REVISED 10-03

IP66



International Organization
for Standardization;
Registered ISO 9001



TECHNICAL SPECIFICATIONS

MODELS

WCS1-4	Outdoor camera power supply, 100/120/230VAC input. One 24/26/28 VAC output, total current capacity of 4 A (100 VA).
WCS4-20	Outdoor multiple camera power supply, 120/230 VAC input. Four fused 24/28 VAC outputs, total current capacity of 20 A (480 VA).
WCS4-20B	Same as WCS4-20 except has circuit breakers.

Product Capacity Chart

A partial list of compatible products and the number of units that may be powered by each power supply are listed below. Capacity is based on the VA rating of each product to be used with the power supply.

Product	Power Supply Model	
	WCS1-4 (100 VA)	WCS4-20/WCS4-20B (480 VA)
CCD Camera (12 VA max)	1	4
Indoor Spectra® (25 VA)	1	4
Outdoor Spectra® (70 VA)	1	4
Outdoor DF5 (62 VA)	1	4
Esprit® (70 VA)	1	4

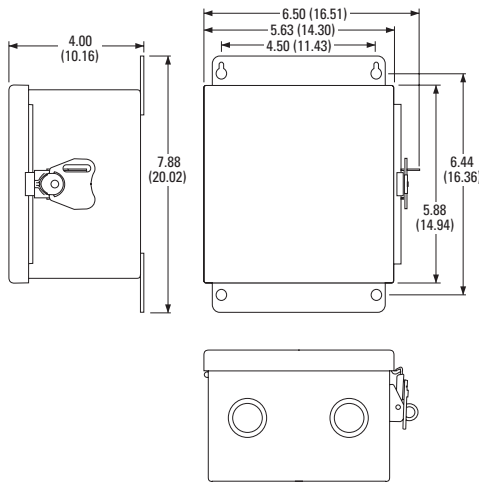
MECHANICAL

Cable Entry
Latch
with padlock (not supplied)

Hole plugs for 0.75-inch (1.9 cm) conduit
Stainless steel link-lock latch; can be secured



WCS1-4 POWER SUPPLY



NOTE: VALUES IN PARENTHESES ARE CENTIMETERS; ALL OTHERS ARE INCHES.

ELECTRICAL

Input Voltage	WCS1-4 WCS4-20/WCS4-20B	100/120/230 VAC, 50/60 Hz 120 or 230 VAC, 50/60 Hz
Output Voltage	WCS1-42 WCS4-20/WCS4-20B2	4/26/28 VAC 4/28 VAC
Output Fuse/ Circuit Breaker Ratings	WCS1-4 WCS4-20/WCS4-20B	4 A* 8 A*
Input Connectors		Screw-type barrier strips
Output Connectors		Screw-type barrier strips; WCS4-20B is suitable for Class 2 wiring
Input Wire Size		12-16 gauge solid wire
Output Wire Size	WCS1-4 WCS4-20/-20B	16-20 gauge solid or stranded wire 16-22 gauge solid or stranded wire

The following are the recommended maximum distances (transformer to load) and are calculated with a 10-percent voltage drop. (Ten percent is generally the maximum allowable voltage drop for AC-powered devices.) Distances are calculated in feet; values in parentheses are meters.

Recommended Wiring Distance Chart

Input Voltage	Total VA Consumed	Wire Gauge					
		20 AWG (0.5 mm ²)		18 AWG (1.0 mm ²)		16 AWG (1.5 mm ²)	
24 VAC	25	113	(34)	180	(55)	287	(87)
	50	56	(17)	90	(27)	143	(43)
	70	41	(12)	64	(19)	102	(31)
26 VAC	25	133	(40)	212	(64)	337	(103)
	50	66	(20)	105	(32)	168	(51)
	70	49	(15)	78	(24)	124	(38)
28 VAC	25	155	(47)	246	(75)	392	(119)
	50	77	(23)	122	(37)	195	(59)
	70	55	(17)	88	(27)	135	(41)

GENERAL

Environment	Outdoor
Construction	Aluminum
Finish	Gray polyester powder coat
Unit Weight	
WCS1-4	6.4 lb (2.9 kg)
WCS4-20/4-20B	16.2 lb (7.3 kg)
Shipping Weight	
WCS1-4	8 lb (3.6 kg)
WCS4-20/4-20B	18 lb (8.1 kg)

CERTIFICATIONS/RATINGS

- CE
- UL Listed
- UL Listed to Canadian safety standards
- Meets NEMA Type 4X and IP66 standards

*Individual output cannot exceed this rating, and the total of all outputs cannot exceed the overall rating of the power supply (see the Models section).



Pelco Worldwide Headquarters:
3500 Pelco Way, Clovis, California 93612-5699 USA
USA & Canada Tel: (800) 289-9100 • FAX (800) 289-9150 • DataFAX (800) 289-9108
International Tel: (559) 292-1981 • FAX (559) 348-1120 • DataFAX (559) 292-0435
www.pelco.com

Spectra® and Esprit® are registered trademarks of Pelco.
Specifications subject to change without notice.
©Copyright 2003, Pelco. All rights reserved.