

PT680-24P Pan/Tilt

OUTDOOR, MEDIUM DUTY, FEEDTHROUGH

Product Features

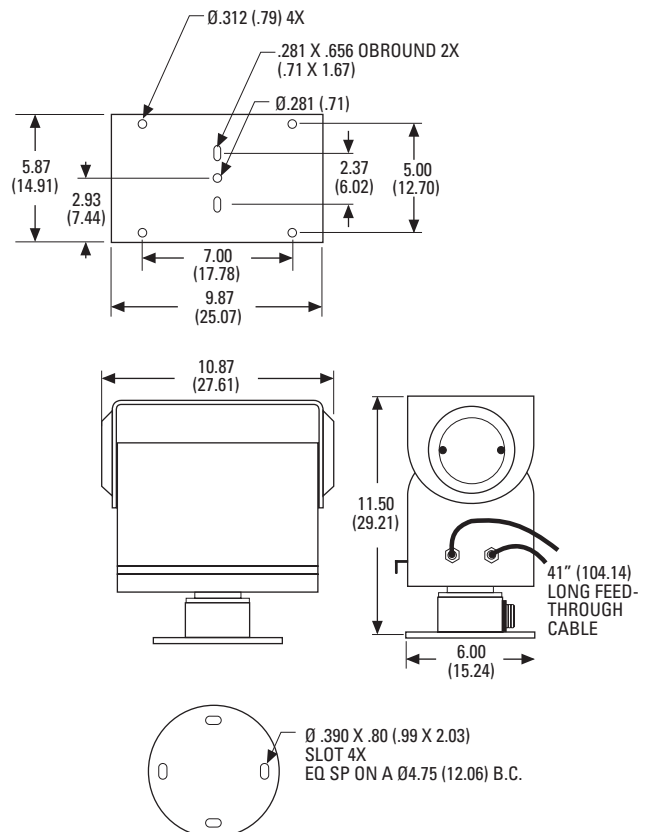
- 24 VAC Operation
- Outdoor Applications
- Adjustable Worm-Gear Final Drive
- Prewired for Zoom Lens, Camera Power, Enclosure Power, and Video
- Optional Preset Positioning Available
- Maximum Load 50 Pounds (22.7 kg)



The **PT680-24P** is a medium duty outdoor pan/tilt designed to accept a maximum load of 50 pounds (22.7 kg). The unit is factory prewired for feedthrough of the motorized zoom lens, camera power, enclosure power, and video signals. All connections are made at the input connector, eliminating the need for wiring harnesses made in the field. This feature greatly reduces installation time, while increasing the reliability and serviceability of the system.

The **PT680-24P** features rugged worm-gear final drive assemblies to minimize backlash and prevent wind drift. The drives are fully adjustable for wear.

An aluminum and coated-steel housing limits the effects of corrosion in outdoor applications. The **PT680-24P** is recommended for use with our EH4700 Series environmental enclosures.



NOTE: VALUES IN PARENTHESES ARE CENTIMETERS; ALL OTHERS ARE INCHES.

TECHNICAL SPECIFICATIONS

MODEL

PT680-24P Medium duty outdoor pan/tilt, 24 VAC operation, supplied with factory-assembled pigtail cable and connector

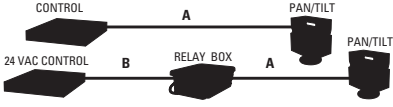
MECHANICAL

Pan 0-355° movement in horizontal plane
 Speed 9°/sec ±1°
 Torque 10 ft-lb with specified voltage
 Tilt ±90° movement in vertical plane
 Speed 3°/sec ±0.5°
 Maximum Load 50 lb (22.7 kg) at 5" (12.7 cm) from tilt table surface to center of gravity
 Gearing Adjustable worm-gear final drive to prevent drift and minimize backlash
 Bearings
 Pan Heavy-duty ball bearings
 Tilt Oilite bronze bushing
 Duty Cycle 50% duty cycle; 30 minute rating

ELECTRICAL

Input Voltage 24 VAC, 50/60 Hz
 Power Requirements
 Pan 0.9A (21.6 VA)
 Tilt 1A (24.0 VA)
 Connectors AMP CPC type, mate supplied
 Motors Two-phase induction type, instantaneous reversing
 Limit Switches 5A each (pan and tilt)
 Conductor Requirements 13, plus ground and coax

Maximum Operating Distances



	Cable Size	Maximum Distance			
		A		B	
PT680-24P 5 Conductors	20 AWG (0.5 mm ²)	60 ft	(18 m)	5,800 ft	(1,767 m)
	18 AWG (1.0 mm ²)	95 ft	(29 m)	8,250 ft	(2,515 m)
	16 AWG (1.5 mm ²)	155 ft	(47 m)	13,000 ft	(3,962 m)
6* Conductors	20 AWG (0.5 mm ²)	118 ft	(35 m)		
	18 AWG (1.0 mm ²)	185 ft	(56 m)		
	16 AWG (1.5 mm ²)	295 ft	(90 m)		

*Using 2 wire motor common

- Notes:
- Distance (A) from control to pan/tilt is the same as distance from relay box to pan/tilt.
 - Maximum operating distance can be extended by using a low voltage control (24 VAC) and a relay box. Distance (B) from control to relay box is the same for all applications.
 - Distances are calculated with both motors (pan and tilt) running and assuming a 10% voltage drop in the cable.

GENERAL

Construction Aluminum plate, all parts corrosion protected
 Finish Gray polyester powder coat
 Environment Outdoor operation; -10° to 120°F (-23° to 49°C)
 Unit Weight 21.26 lb (9.6 kg)
 Shipping Weight 26 lb (11.7 kg)

CERTIFICATIONS/RATINGS

- UL Listed
- Meets NEMA Type 3R standards

OPTIONS

C6806 Pretested 6-foot (1.8 m) cable for use with PT680-24P pan/tilt and CX9024RX receiver. Not for inverted applications
 C6825 Same as C6806 except cable is 25 feet (7.6 m) long

RECOMMENDED CONTROLS

Coaxitron or Matrix See individual specification sheets for information.
 MPT24DT Desktop control for 24 VAC pan/tilt.
 MPTAZ24DT Desktop pan/tilt and zoom lens control with auto/random scan for 24 VAC pan/tilts.
 RB24 Relay box for 24 VAC pan/tilts. Extends operating distance (control to relay box).

RECOMMENDED ENCLOSURES

EH4700 Series Environmental enclosure
 EH5700 Series Environmental enclosure

RECOMMENDED MOUNTS

PA2000 Adapter plate. Required when using WM2000.
 PM2000, PM2010 Ceiling/pedestal mount; maximum load 125 lb (56.7 kg).
 ST1 Support strut for WM2000/PM2000/PM2010.
 WM2000 Wall mount; maximum load 75 lb (34 kg). When used with ST1 support strut, maximum load is increased to 150 lb (68 kg). Must be used with PA2000 adapter.



Pelco Worldwide Headquarters:

3500 Pelco Way, Clovis, California 93612-5699 USA

USA & Canada Tel: (800) 289-9100 • FAX (800) 289-9150 • DataFAX (800) 289-9108

International Tel: (559) 292-1981 • FAX (559) 348-1120 • DataFAX (559) 292-0435

www.pelco.com

Specifications subject to change without notice.
 ©Copyright 2003, Pelco. All rights reserved.