

POE4ATN 4-Port IEEE802.3at Midspan

GIGABIT HIGH POWER OVER ETHERNET

Product Features

- Fully 802.3at Compliant Detection, Disconnect, Over Voltage, and Current Protection
- Diagnostic LEDs
- No Power Management Required
- SNMP Network Management
- Full Protection
 - Over Temperature Protection (OTP)
 - Over Current Protection (OCP)
 - Over Voltage Protection (OVP)
- 10/100/1000Base-T Compatibility
- Web Interface Through Network Management Port



The **POE4ATN** Power over Ethernet (PoE) 4-port midspan is designed to meet the demanding data rate and power requirements of IP cameras with high-quality streaming video capabilities. The midspan offers total output power of 33.6 W per port, and meets the IEEE802.3at standard for detection, connection, disconnection, and fault protection. It also provides SNMP network management.

The **POE4ATN** midspan is compatible with 10/100/1000Base-T systems. AC input voltage range is 90 to 264 VAC with an input frequency range of 47 to 63 Hz. Efficiency is typically 75 percent at maximum load and 120 VAC, 60 Hz.



by Schneider Electric

International Standards
Organization Registered Firm;
ISO 9001 Quality System



C3962 / NEW 9-13-13

TECHNICAL SPECIFICATIONS

MODELS

POE4ATN-US	4-Port IEEE802.3at midspan with US power cord
POE4ATN-EU	4-Port IEEE802.3at midspan with European power cord

ELECTRICAL

Input Voltage Rating	90 to 264 VAC
AC Input Current	2.5 A (RMS) maximum for 90 VAC; 1.3 A (RMS) maximum for 240 VAC
Leakage Current	3.5 mA maximum at 254 VAC 60 Hz
AC Input Frequency	47 to 63 Hz
AC Inrush Current	30 A (RMS) maximum for 115 VAC; 60 A (RMS) maximum for 230 VAC
Total Output Power	33.6 W per port
Ripple and Regulation	100 mV maximum
Efficiency	75% (typical) at maximum load; 120 VAC, 60 Hz
Hold-Up Time	10 milliseconds minimum; 120 VAC and maximum load
Transient O/P Voltage Protection	60 V maximum at switch on and off at any AC line phase
Turn-On Delay Time	3 seconds maximum at maximum load and 120 VAC 60 Hz
Isolation Test	
Primary to Secondary	4,242 VDC for 1 minute
Primary to ground	2,121 VDC for 1 minute
Secondary to ground	2,121 VDC for 1 minute
Over Voltage/Current, Short Circuit Protection	Outputs equipped with short circuit protection and overload protection according to IEEE802.3at specification; the output can be shorted permanently without damage
NIC Interface	NIC interface for remote management by secure IP access
AC Input Connector	IEC320 inlet 3-pin (C14)

OPTIONAL ACCESSORIES

POE1XT	Single-Port PoE Gigabit extender extends PoE 100 meters (328 feet) providing a single-port 802.3af output; refer to the POE1XT specification sheet for capabilities
POE4RMA	19-inch rack-mount adapter; 1 RU hardware to rack mount one POE4ATN or rack mount two POE4ATN units side-by-side



FRONT PANEL INDICATORS/FUNCTIONS

Status/Color	Description
Solid Green	Power detected "ON"
Solid Yellow	Fault detected

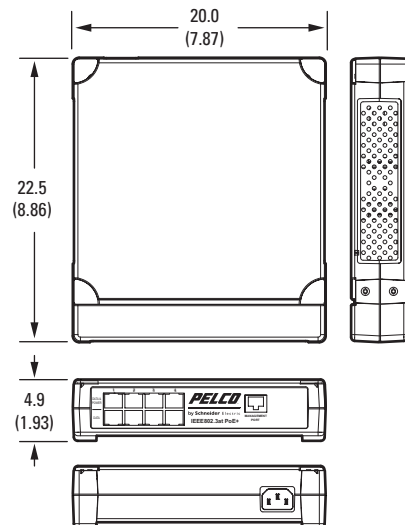
ENVIRONMENTAL

Operating Temperature	0° to 40°C (32° to 104°F)
Storage Temperature	-25° to 65°C (-4° to 149°F)
Over Temperature Protection	Automatic shutdown without damage
Maximum Humidity Gradient	5% to 90%
Immunity EN50082-1	
ESD	EN61000-4-2, Level 3
RS	EN61000-4-3, Level 2
EFT	EN61000-4-4, Level 2
Surge	EN61000-4-5, Level 3
CS	EN61000-4-6, Level 2
Voltage Dips	EN61000-4-11
Harmonic	EN61000-3-2 Class A

CERTIFICATIONS

- CE, EN55022 Class B
- FCC, Part 15, Class B
- UL/cUL Listed

VALUES IN PARENTHESES ARE INCHES; ALL OTHERS ARE CENTIMETERS.



Pelco by Schneider Electric

3500 Pelco Way, Clovis, California 93612-5699 United States
USA & Canada Tel (800) 289-9100 Fax (800) 289-9150
International Tel +1 (559) 292-1981 Fax +1 (559) 348-1120
www.pelco.com www.pelco.com/community

Pelco, the Pelco logo, and other trademarks associated with Pelco products referred to in this publication are trademarks of Pelco, Inc. or its affiliates. ONVIF and the ONVIF logo are trademarks of ONVIF Inc. All other product names and services are the property of their respective companies. Product specifications and availability are subject to change without notice.
 ©Copyright 2013, Pelco, Inc. All rights reserved.