

Sarix® IXP Series Indoor Box Cameras

STD DEF/MEGAPIXEL, H.264, DAY/NIGHT IP CAMERAS WITH AUTO BACK FOCUS

Product Features

- Up to 5 Megapixel (MPx) Resolution
- Up to 30 Images per Second (ips) at 1080p
- Multiple CS-Mount Lens Options
- Accessible Edge Storage with Micro SD Card
- Motion Detection and Camera Sabotage Analytics
- Operating Temperature from -10° to 50°C (14° to 122°F)
- Power over Ethernet (PoE) and 24 VAC Power Input
- Compatible with Pelco and Third-Party Video Systems
- ONVIF Profile S Conformant
- 3-Year Warranty and Support

Sarix Professional Range

Powerful, versatile, and affordable, **Sarix® Professional (P)** range cameras pack the most popular features and functionality of Sarix technology into a wide range of indoor and environmental options, including IP box cameras, bullet cameras, and domes. Mix and match the performance options and form factor you need for almost any lighting condition, environment, and application.

Camera

Within the **Sarix Professional** range, the **Sarix IXP Series** box cameras are compatible with an assortment of standard CS-mount megapixel lenses for wide angle or long range surveillance needs. The box cameras feature an auto back focus (ABF) mechanism to accommodate this range of lenses and to ensure the cameras can be automatically refocused when needed. Additionally, the **Sarix IXP Series** features advanced color science and a mechanical IR cut filter for increased sensitivity in low-light installations.

Video

Sarix Professional range cameras support up to two simultaneous video streams and a third service stream. The two streams can be compressed with efficient H.264 high or main profiles or MJPEG formats. The streams can be configured to a variety of frame rates and variable bit rates to optimize image quality with bandwidth and storage efficiency.

Edge Storage

Sarix Professional range cameras feature onboard edge storage with a micro SD card. Video clips of varying lengths can be stored to the card upon alarm, or video can be written continuously to the SD card in the case of network outage. Video can be retrieved from the



card through the FTP protocol, and the solution will support ONVIF Profile G in the future for integration with video management systems.

Built-In Analytics

Sarix Professional range cameras feature a simple motion detection algorithm, allowing the camera to record or send an alarm when there is motion in a selected zone or within the entire scene. A camera sabotage alarm is triggered if the lens is obstructed or when the camera is repositioned.

Open and Integrated

Sarix Professional range cameras seamlessly connect to Pelco video management systems such as Endura® version 2.0 (or later) and Digital Sentry® version 7.3 (or later). **Sarix Professional** range cameras integrate with major third-party video management systems through the Pelco API and other third-party software and systems through the open ONVIF Profile S standard.

Standard Web Interface

Pelco cameras use a standard Web browser interface for easy remote setup and administration. Controls are optimized for convenient one-step camera configuration for features including color, exposure, flicker control, and streaming. A one-click shutter allows you to capture sharp JPEG snapshots of the live view for documenting, positioning, or easy event recording.



by Schneider Electric



International Standards
Organization Registered Firm;
ISO 9001 Quality System



C3948 / NEW 7-19-13

TECHNICAL SPECIFICATIONS

Camera

Imaging Device

MPx	Sensor	Maximum Resolution
5 MPx	1/3.2-inch	2592 x 1944 (5.0 MPx)
3 MPx	1/3-inch	2048 x 1536 (3.1 MPx)
2 MPx	1/3-inch	1920 x 1080 (2.1 MPx)
1 MPx	1/4-inch	1280 x 720 (0.9 MPx)
SD	1/4-inch	800 x 600 (0.5 MPx)

Imager Type

CMOS

Imager Readout

Progressive scan

Electronic Shutter Range

1/5 ~ 1/10,000 sec

Dynamic Range

65 dB

White Balance Range

2,500° to 8,000°K

Digital Noise Reduction

Yes (ON/OFF selectable)

Minimum Illumination

MPx	Sensitivity	Color		Mono	
		33 ms	200 ms	33 ms	200 ms
5 MPx	f/1.2	0.30 lux	0.02 lux	0.10 lux	0.01 lux
3 MPx	f/1.2	0.30 lux	0.02 lux	0.10 lux	0.01 lux
2 MPx	f/1.2	0.30 lux	0.02 lux	0.10 lux	0.01 lux
1 MPx	f/1.2	0.30 lux	0.02 lux	0.10 lux	0.01 lux
SD	f/1.2	0.30 lux	0.02 lux	0.10 lux	0.01 lux

Mechanical IR Cut Filter

Yes (AUTO/MANUAL selectable), with different set points on lux

Lens Mount

CS mount; adjustable

Auto Iris Type

DC drive

Focus

Auto back focus

VIDEO

Video Streams

Up to 2 simultaneous streams, plus service stream; the secondary stream is variable based on the setup of the primary stream

Video Overlay

Camera name, time, date

Available Resolutions

MPx	Width	Height	Aspect Ratio
5.0	2592	1944	4:3
3.1	2048	1536	4:3
2.1	1920	1080	16:9
1.9	1600	1200	4:3
1.2	1280	960	4:3
0.9	1280	720	16:9
0.6	1024	576	16:9
0.5	800	600	4:3
0.3	640	480	4:3
0.1	320	240	4:3
0.1	320	180	16:9

Frame Rates

MPx	Images Per Second (ips)
5 MPx	12 (full), 10, 5, 1
3 MPx	20 (full), 16.67, 15, 12.5, 10, 5, 1
2 MPx	30 (full), 25, 20, 16.67, 15, 12.5, 10, 5, 1
1 MPx	30 (full), 25, 20, 16.67, 15, 12.5, 10, 5, 1
SD	30 (full), 25, 20, 16.67, 15, 12.5, 10, 5, 1

Note: Available frame rates are selectable for each independent stream depending on the coding, resolution, and stream configuration.

Video Encoding

H.264 high or main profiles; and MJPEG

Bit Rate Control

Constrained bit rate (CBR), variable bit rate (VBR) with target range

Service Stream

320 x 240 or 320 x 180; 2 ips, MJPEG

Snapshot

JPEG capture at resolution of live view stream

Window Blanking

4 configurable windows

TECHNICAL SPECIFICATIONS

ELECTRICAL

Network Port	RJ-45 connector for 100Base-TX
Power Input	PoE (IEEE 802.3af, Class 3)
2, 3, 5 MPx	PoE (IEEE 802.3af, Class 2)
SD, 1 MPx	24 VAC nominal, 18 to 32 VAC range
All Resolutions	<8.0 W
Power Consumption	Up to 32GB on Micro SDHC or SDXC card
Local Storage	Alarm
Input	1
Output	1; PhotoMOS™ relay (30 V, 1 A)
Triggers	Unsupervised mode that detects switch closures (N.O. and N.C.)

ENVIRONMENTAL

Operating Temperature	-10° to 50°C (14° to 122°F)
Storage Temperature	-40° to 60°C (-40° to 140°F)
Operating Humidity	15% to 85%, RH noncondensing

AUDIO

Streaming	Dual-channel
Input	Line in/terminal block
Output	Line out/terminal block
Encoding	G.711 A-law/G.711 U-law

GENERAL

Construction	Aluminum and polycarbonate
Finish	White, RAL 9003; satin texture
Weight (without lens)	1.76 kg (3.89 lb)
Shipping Weight	2.35 kg (5.18 lb)

NETWORK

Supported Protocols	TCP/IP, UDP, ICMP, IPv4, SNMP v2c/v3, HTTP, HTTPS, SSL, SSH, SMTP, FTP, RTSP, UPnP, DNS, NTP, RTP, RTCP, LDAP
Users	1 administrator, up to 4 viewers
Unicast	Unlimited users H.264
Multicast	Multiple user access levels with password protection
Security Access	

INTEGRATION

Video Management	Digital Sentry 7.3 (or later); Endura 2.0 (or later); Third-party VMS through Pelco API 1.0 and ONVIF Profile S
Mobile Application	Integrated to Pelco Mobile App
Analytics	Simple motion detection and camera sabotage
Local Storage	Capture 5- or 10-second video clips on camera sabotage, motion detection, or alarm input; record video continuously in the case of network outage with option to overwrite; access video through FTP protocol
Camera Discovery and Firmware	Cameras discovered and firmware upgraded through Pelco Device Utility 2 version 2.2; cameras discovered and firmware upgrade through Endura Utilities
Web Browser	Microsoft® Internet Explorer® 8.0 and later

CERTIFICATIONS*

- CE - EN 55022 (Class A), EN 50130-4, EN 60950-1
- FCC (Class A) - 47 CFR Part 15
- UL and cUL Listed - UL 60950-1, CAN/CSA-C22.2 No. 60950-1-07
- ICES-003
- KCC
- NOM

*At the time of this publication, all certifications are pending. Please consult the factory, our Web site (www.pelco.com), or the most recent B.O.S.S.® update for the current status of certifications.

TECHNICAL SPECIFICATIONS

MODELS

IXPS1	Sarix SD indoor, day/night, fixed box camera with CS-mount lens and ABF
IXP11	Sarix 1 MPx indoor, day/night, fixed box camera with CS-mount lens and ABF
IXP21	Sarix 2 MPx indoor, day/night, fixed box camera with CS-mount lens and ABF
IXP31	Sarix 3 MPx indoor, day/night, fixed box camera with CS-mount lens and ABF
IXP51	Sarix 5 MPx indoor, day/night, fixed box camera with CS-mount lens and ABF

RECOMMENDED MOUNT

C10-UM	Universal camera mount
--------	------------------------

RECOMMENDED ENCLOSURES

EH1512	Indoor/environmental, IP66
EH3512	Indoor/environmental, IP66
EHX4*E	Hazardous environment, IP66

RECOMMENDED LENSES

13M2.2-6	Megapixel lens, varifocal, 2.2 ~ 6.0 mm, f/1.3 ~ 2.0
13M2.8-8	Megapixel lens, varifocal, 2.8 ~ 8.0 mm, f/1.2 ~ 1.9
13M2.8-12	Megapixel lens, varifocal, 2.8 ~ 12.0 mm, f/1.4 ~ 2.7
13M15-50	Megapixel lens, varifocal, 15.0 ~ 50.0 mm, f/1.5 ~ 2.1

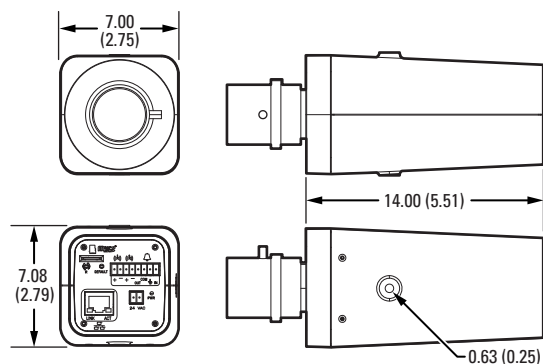
OPTIONAL ACCESSORIES

IPCT01	Pelco IP camera tester*
POE1AT-US	1 Channel PoE Midspan with US power cord
POE1AT-EU	1 Channel PoE Midspan with European power cord
IR850M-120	Semi Covert IR Illuminator with 120m range
WLDM-90	White Light LED Illuminator with 90m range

*Contact Pelco Product Support for more information about the use of the Pelco IP camera tester with cameras.



VALUES IN PARENTHESES ARE INCHES; ALL OTHERS ARE CENTIMETERS.



Pelco by Schneider Electric

3500 Pelco Way, Clovis, California 93612-5699 United States

USA & Canada Tel (800) 289-9100 Fax (800) 289-9150

International Tel +1 (559) 292-1981 Fax +1 (559) 348-1120

www.pelco.com www.pelco.com/community

Pelco, the Pelco logo, and other trademarks associated with Pelco products referred to in this publication are trademarks of Pelco, Inc. or its affiliates. ONVIF and the ONVIF logo are trademarks of ONVIF Inc. All other product names and services are the property of their respective companies.

Product specifications and availability are subject to change without notice.

©Copyright 2013, Pelco, Inc. All rights reserved.