

# IS50/IS51 Series Camclosure® 2 Camera System

## RUGGED OUTDOOR MINI DOME, SURFACE AND FLUSH MOUNT

### Product Features

- Vandal-Resistant Heavy Duty Outdoor Enclosure with Camera and Lens
- 3 Camera Options
  - Super Dynamic 5 (SD5)™ Day/Night Wide Dynamic Range (WDR)
  - Day/Night High Resolution
  - High Resolution Color
- Varifocal Lens
- Shipped Completely Assembled, Easy to Install
- 24 VAC or 12 VDC Operation, Autosensing
- Manual, 3-Axis (Pan/Tilt/Rotation) Positioning Allows Adjustment for Optimum Camera Rotation and Placement
- Service Connector for Video Output
- Available in Surface or Flush Mount Models with Smoked or Clear Domes
- Built-in Heater for Outdoor Environments

The **IS50/IS51 Series Camclosure® 2 Camera System** integrates a camera and lens package into a small, versatile rugged enclosure that can be mounted directly to, or recessed into, a ceiling or wall. The **IS50/IS51 Series** features a three-axis camera and lens positioning system that is capable of a wide variety of pan and tilt angles.

The **IS50/IS51 Series** offers three high resolution camera options suitable for a variety of outdoor environments:

- **Super Dynamic 5 (SD5)™ day/night wide dynamic range (WDR):** Features a high resolution (650 TVL) color camera with auto iris, varifocal lens, and auto back focus. Application examples include environments with difficult lighting that require extremely high sensitivity and dynamic range.
- **True day/night:** Features a high resolution (540 TVL) color camera with auto iris and varifocal lens. Application examples include environments that require color images during the day but use monochrome images at night with or without supplemental IR lighting.
- **Color:** Features a high resolution (540 TVL) color camera with auto iris, simple day/night functions, and varifocal lens. For use in all general-purpose environments.

All cameras in the **IS50/IS51 Series** offer adaptive black stretch (ABS) to provide optimal image quality in dark areas by increasing the visibility in those areas without sacrificing the image quality in brighter areas. In addition, in some cameras the **IS50/IS51 Series** features Super Dynamic 5 (SD5) technology, ensuring the best picture



IS51-DWSV8S MODEL

- Dehumidifier to Prevent Condensation (DWS Series Only)
- Auto Image Stabilizer to Compensate for External Vibration (DWS Series Only)

quality even in challenging environments. The Super Dynamic 5 (SD5) day/night WDR camera is equipped with auto back focus (ABF) and intelligent motion detection (i-VMD). The ABF feature automatically adjusts the camera's CCD position when installing or changing from color to black-white mode, saving time during setup and optimizing focus. The i-VMD feature is an intelligent built-in video motion detector that provides more efficient and reliable surveillance, while eliminating the loss of notification in vital scenes. Using advanced motion analytics provides the ability to accurately detect motion within a targeted area. The i-VMD analytics include three behaviors: motion detection, object abandonment/removal, and scene change detection.

The **IS50/IS51 Series** is shipped completely assembled, making installation fast and easy. To surface-mount the unit, remove it from the box, attach it to the mounting surface, and connect video and power. For recessed installations, use the supplied mounting bracket to install the unit inside a ceiling or wall.

The **IS50/IS51 Series** also features a complete line of optional mounting accessories. The IS50-P pendant mount allows the IS50/IS51 surface mount cameras to be adapted for pendant installations. The IS50-P can also be combined with the SWM-SR compact wall mount for wall mount installations. In addition, the IS50-FK flush mount kit allows a surface mount unit to be installed in a ceiling if the installation type should change after the original deployment.



by Schneider Electric

International Standards  
Organization Registered Firm,  
ISO 9001 Quality System



C3473 / REVISED 5-16-11

# TECHNICAL SPECIFICATIONS

## CAMERA/OPTICS

	<b>IS50/IS51-DWS Series Super Dynamic (SD5) Day/Night Wide Dynamic Range Models</b>	<b>IS50/IS51-DN Series True Day/Night Models</b>	<b>IS50/IS51-CH Series Color Models with Simple Day/Night</b>
Image Sensor	1/3-inch interline transfer CCD	1/3-inch interline transfer CCD	1/3-inch interline transfer CCD
Effective Pixels NTSC PAL	976 (H) x 494 (V) 976 (H) x 582 (V)	768 (H) x 494 (V) 752 (H) x 582 (V)	768 (H) x 494 (V) 752 (H) x 582 (V)
Scanning Area	0.19-inch (H) x 0.14-inch (V) (4.8 x 3.6 mm)	0.19-inch (H) x 0.15-inch (V) (4.9 x 3.7 mm)	0.19-inch (H) x 0.15-inch (V) (4.9 x 3.7 mm)
Scanning System	2:1 interlace	2:1 interlace	2:1 interlace
Scanning Lines NTSC PAL	525 lines 625 lines	525 lines 625 lines	525 lines 625 lines
Scanning Frequency NTSC PAL	Horizontal, 15.734 kHz Vertical, 59.94 Hz  Horizontal, 15.625 kHz Vertical, 50.00 Hz	Horizontal, 15.734 kHz Vertical, 59.94 Hz  Horizontal, 15.625 kHz Vertical, 50.00 Hz	Horizontal, 15.734 kHz Vertical, 59.94 Hz  Horizontal, 15.625 kHz Vertical, 50.00 Hz
Synchronization	Internal LL (phase adjustable power supply synchronization)	Internal	Internal
Horizontal Resolution	650 TV lines, typical (color mode) 700 TV lines or more (B-W mode)	540 TV lines (color mode, at center) 570 TV lines (B-W mode)	540 TV lines (at center)
Minimum Illumination	0.1 lux (color mode) 0.003 lux (sensitivity up x32) 0.01 lux (B-W mode) 0.0003 lux (sensitivity up x32)	0.06 lux (color mode) 0.05 lux (B-W mode)	0.6 lux (color mode) 0.4 lux (B-W mode)
Dynamic Range	54 dB/128X	Adaptive Black Stretch	Adaptive Black Stretch
Day/Night Type	IR filter removal	IR filter removal	Simple
Video Output	1.0 Vp-p, NTSC/PAL composite, 75 ohms, BNC connector	1.0 Vp-p, NTSC/PAL composite, 75 ohms, BNC connector	1.0 Vp-p, NTSC/PAL composite, 75 ohms, BNC connector
White Balance	Auto Tracking White Balance/ Automatic White Balance Control	Auto Tracking White Balance/ Automatic White Balance Control	Auto Tracking White Balance/ Automatic White Balance Control
Signal-to-Noise Ratio	50 dB (equivalent to AGC Off, weight On)	50 dB (equivalent to AGC Off, weight On)	50 dB (equivalent to AGC Off, weight On)
Lens	2X varifocal lens	3.6X varifocal lens	3.6X varifocal lens
Focal Length	3.8 ~ 8.0 mm	2.8 ~ 10.0 mm	2.8 ~ 10.0 mm
F-Number	f/1.4 (WIDE) to f/1.8 (TELE)	f/1.3 (WIDE) to f/3.1 (TELE)	f/1.3 (WIDE) to f/3.1 (TELE)
Focus Range	∞ to 3.9 ft (1.2 m)	∞ to 3.9 ft (1.2 m)	∞ to 3.9 ft (1.2 m)
Angle of View Horizontal Vertical	73.6° wide zoom; 35.6° telephoto zoom 53.4° wide zoom; 26.6° telephoto zoom	100.2° wide zoom; 27.4° telephoto zoom 73.3° wide zoom; 20.3° telephoto zoom	100.2° wide zoom; 27.4° telephoto zoom 73.3° wide zoom; 20.3° telephoto zoom
Adjusting Angle Panning Range Tilting Range Rotation Range	±170° ±75° ±100°	+180° to -140° ±75° ±100°	+180° to -140° ±75° ±100°

# TECHNICAL SPECIFICATIONS

## GENERAL

Construction	Aluminum die cast	
Enclosure	Polycarbonate resin	
Bubble	Light gray	
Finish	Light gray	
Weight		
Super Dynamic 5 (SD5) WDR Models	Unit	Shipping
Surface Mount	3.76 lb (1.71 kg)*	6 lb (2.70 kg)*
Flush Mount	4.53 lb (2.05 kg) <sup>†</sup>	11 lb (4.89 kg) <sup>‡</sup>
Color and Day/Night Models		
Surface Mount	3.20 lb (1.45 kg)	6 lb (2.40 kg)
Flush Mount	3.97 lb (1.80 kg)	11 lb (4.59 kg)
Multilingual On-Screen Display	English, French, Spanish, German, Portuguese, Russian, Japanese	

## ELECTRICAL

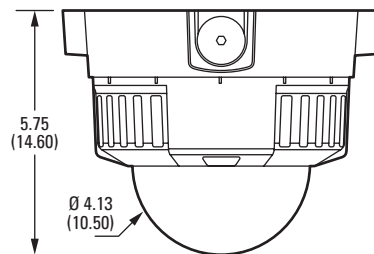
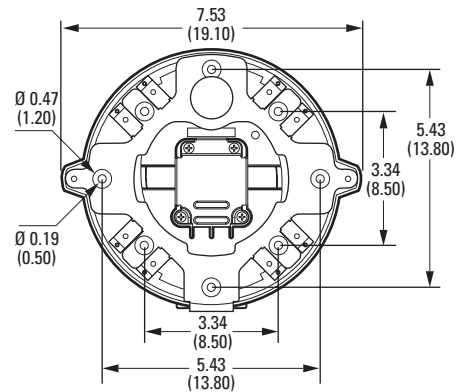
Power Source		
Super Dynamic 5 (SD5) WDR Models	NTSC	PAL
	24 VAC, 60 Hz	24 VAC, 50 Hz
	12 VDC <sup>‡</sup> , 280 mA	12 VDC <sup>‡</sup> , 280 mA
Color and Day/Night Models	NTSC	PAL
	24 VAC, 60 Hz	24 VAC, 50 Hz
	12 VDC <sup>‡</sup> , 220 mA	12 VDC <sup>‡</sup> , 220 mA
Power Consumption		
Super Dynamic 5 (SD5) WDR Models	NTSC	PAL
Without Heater	3.4 W	3.4 W
With Heater	14 W	14 W
Color and Day/Night Models	NTSC	PAL
Without Heater	2.9 W	2.9 W
With Heater	13.1 W	13.1 W

## ENVIRONMENTAL

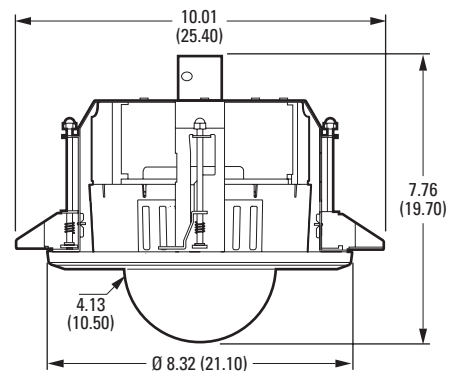
Environment	Outdoor
Ambient Temperature	
Without Heater	14° to 122°F (-10° to +50°C)
With Heater	-22° to 122°F (-30° to +50°C)
Ambient Humidity	Less than 90%
Impact Resistance	IEC 60068-2-75 Test Eh (50J)

## CERTIFICATIONS/RATINGS/PATENTS

- CE, Class A
- FCC, Class A
- UL/cUL Listed
- C-Tick
- Meets IP66 standards, IEC60529



**SURFACE MOUNT**



**FLUSH MOUNT**

\*The total surface mount weight includes 0.22 lb (0.1 kg) for the camera attachment.

<sup>†</sup>The total flush mount weight includes 1.54 lb (0.7 kg) for ceiling mount bracket assembly.

<sup>‡</sup>When using 12 VDC power supply, the heater is not available.

NOTE: VALUES IN PARENTHESES ARE CENTIMETERS; ALL OTHERS ARE INCHES.

# TECHNICAL SPECIFICATIONS

## MODELS

Camera Type	Mount Type	Bubble	NTSC	PAL
Super Dynamic 5 (SD5) Day/Night WDR (DWS Series)	Surface	Clear	IS51-DWSV8S	IS51-DWSV8SX
		Smoke	IS50-DWSV8S	IS50-DWSV8SX
	Flush	Clear	IS51-DWSV8F	IS51-DWSV8FX
		Smoke	IS50-DWSV8F	IS50-DWSV8FX
Day/Night (DN Series)	Surface	Clear	IS51-DNV10S	IS51-DNV10SX
		Smoke	IS50-DNV10S	IS50-DNV10SX
	Flush	Clear	IS51-DNV10F	IS51-DNV10FX
		Smoke	IS50-DNV10F	IS50-DNV10FX
Color (CH Series)	Surface	Clear	IS51-CHV10S	IS51-CHV10SX
		Smoke	IS50-CHV10S	IS50-CHV10SX
	Flush	Clear	IS51-CHV10F	IS51-CHV10FX
		Smoke	IS50-CHV10F	IS50-CHV10FX

## RECOMMENDED MOUNTS

IS50-P	Pendant mount, outdoor; compatible with all models
IS50-CM	Corner mount, indoor or outdoor; compatible with all models
SWM-SR	Compact wall mount, light gray finish; can be used with IS50-P for wall-mount installations; can also be adapted for corner or pole applications
WMVE-SR	Wall mount, light gray; can be used with IS50-P for wall-mount installations that require increased vandal resistance or surface mount conduit
IS50-FK	Flush mount kit; compatible with surface mount models only

## RECOMMENDED POWER SUPPLIES

TF2000	Power supply for one 24 VAC camera, 20 VA
MCS Series	Multiple 24 VAC camera power supply, indoor
WCS Series	Single/multiple 24 VAC camera power supply, outdoor

## OPTIONAL ACCESSORIES

TW3001PC	Passive twisted wire transmission for use in unshielded twisted pair (UTP) installations
13VD15-50	15 to 50 mm lens; compatible with DWS models only

### Pelco by Schneider Electric

3500 Pelco Way, Clovis, California 93612-5699 United States

**USA & Canada** Tel (800) 289-9100 Fax (800) 289-9150

**International** Tel +1 (559) 292-1981 Fax +1 (559) 348-1120

[www.pelco.com](http://www.pelco.com)

Super Dynamic 5 (SD5) logo is a registered trademark of Panasonic Corporation in the United States and/or other countries. Pelco, the Pelco logo, and other trademarks associated with Pelco products referred to in this publication are trademarks of Pelco, Inc. or its affiliates. All other product names and services are the property of their respective companies. Product specifications and availability are subject to change without notice. ©Copyright 2011, Pelco, Inc. All rights reserved.