

# Sarix® IMP Series Indoor Mini Domes

## STD DEF/MEGAPIXEL, H.264, DAY/NIGHT IP DOMES

### Product Features

- Up to 5 Megapixel (MPx) Resolution
- Up to 30 Images per Second (ips) at 1080p
- Autofocus Motorized Remote Zoom Lens
- Accessible Edge Storage with Micro SD Card
- Motion Detection and Camera Sabotage Analytics
- Operating Temperature from -10° to 50°C (14° to 122°F)
- Power over Ethernet (PoE) and 24 VAC Power Input
- Compatible with Pelco and Third-Party Video Systems
- ONVIF Profile S Conformant
- 3-Year Warranty and Support



### Sarix Professional Range

Powerful, versatile, and affordable, the **Sarix® Professional (P)** range cameras pack the most popular features and functionality of Sarix technology into a wide range of indoor and environmental options, including IP box cameras, bullet cameras, and domes. Mix and match the performance options and form factor you need for almost any lighting condition, environment, and application.

### Camera

Within the **Sarix Professional** range, the **Sarix IMP Series** mini dome cameras feature a remote zoom lens for wide angle or long range surveillance needs. Autofocus capability ensures the camera can be automatically refocused when needed. Additionally, the **Sarix IMP Series** features advanced color science and a mechanical IR cut filter for increased sensitivity in low-light installations.

### Video

**Sarix Professional** range cameras support up to two simultaneous video streams and a third service stream. The two streams can be compressed with efficient H.264 high or main profiles or MJPEG formats. The streams can be configured to a variety of frame rates and variable bit rates to optimize image quality with bandwidth and storage efficiency.

### Edge Storage

**Sarix Professional** range cameras feature onboard edge storage with a micro SD card. Video clips of varying lengths can be stored to the card upon alarm, or video can be written continuously to the SD card in the case of network outage. Video can

be retrieved from the card through the FTP protocol, and the solution will support ONVIF Profile G in the future for integration with video management systems.

### Built-In Analytics

**Sarix Professional** range cameras feature a simple motion detection algorithm that allows the camera to record or send an alarm when there is motion detected in a selected zone or within the entire scene. A camera sabotage alarm is triggered if the lens is obstructed or when the camera is repositioned.

### Open and Integrated

**Sarix Professional** range cameras seamlessly connect to Pelco video management systems such as Endura® version 2.0 (or later) and Digital Sentry® version 7.3 (or later). **Sarix Professional** range cameras integrate with major third-party video management systems through the Pelco API and other third-party software and systems through the open ONVIF Profile S standard.

### Standard Web Interface

Pelco cameras use a standard Web browser interface for easy remote setup and administration. Controls are optimized for convenient one-step camera configuration for features including color, exposure, flicker control, and streaming. A one-click shutter allows you to capture sharp JPEG snapshots of the live view for documenting, positioning, or easy event recording.



by Schneider Electric



International Standards  
Organization Registered Firm;  
ISO 9001 Quality System



C3950 / NEW 7-23-13

# TECHNICAL SPECIFICATIONS

## CAMERA

Imaging Device

| MPx   | Sensor     | Maximum Resolution    |
|-------|------------|-----------------------|
| 5 MPx | 1/3.2-inch | 2592 x 1944 (5.0 MPx) |
| 3 MPx | 1/3-inch   | 2048 x 1536 (3.1 MPx) |
| 2 MPx | 1/3-inch   | 1920 x 1080 (2.1 MPx) |
| 1 MPx | 1/4-inch   | 1280 x 720 (0.9 MPx)  |
| SD    | 1/4-inch   | 800 x 600 (0.5 MPx)   |

Imager Type

CMOS

Imager Readout

Progressive scan

Electronic Shutter Range

1/5 ~ 1/10,000 sec

Dynamic Range

65 dB

White Balance Range

2,500° to 8,000°K

Noise Reduction

Yes (ON/OFF selectable)

Minimum Illumination

| MPx   | Sensitivity | Color    |          | Mono     |          |
|-------|-------------|----------|----------|----------|----------|
|       |             | 33 ms    | 200 ms   | 33 ms    | 200 ms   |
| 5 MPx | f/1.2       | 0.30 lux | 0.02 lux | 0.10 lux | 0.01 lux |
| 3 MPx | f/1.2       | 0.30 lux | 0.02 lux | 0.10 lux | 0.01 lux |
| 2 MPx | f/1.2       | 0.30 lux | 0.02 lux | 0.10 lux | 0.01 lux |
| 1 MPx | f/1.4       | 0.30 lux | 0.02 lux | 0.10 lux | 0.01 lux |
| SD    | f/1.4       | 0.30 lux | 0.02 lux | 0.10 lux | 0.01 lux |

Mechanical IR Cut Filter

Yes (AUTO/MANUAL selectable), with different set points on lux

Lens

2.8 to 10 mm or 3 to 9 mm remote zoom with DC iris

Focus

Autofocus

## VIDEO

Video Streams

Up to 2 simultaneous streams, plus service stream; the secondary stream is variable based on the setup of the primary stream

Video Overlay

Camera name, time, date

Available Resolutions

| MPx | Width | Height | Aspect Ratio |
|-----|-------|--------|--------------|
| 5.0 | 2592  | 1944   | 4:3          |
| 3.1 | 2048  | 1536   | 4:3          |
| 2.1 | 1920  | 1080   | 16:9         |
| 1.9 | 1600  | 1200   | 4:3          |
| 1.2 | 1280  | 960    | 4:3          |
| 0.9 | 1280  | 720    | 16:9         |
| 0.6 | 1024  | 576    | 16:9         |
| 0.5 | 800   | 600    | 4:3          |
| 0.3 | 640   | 480    | 4:3          |
| 0.1 | 320   | 240    | 4:3          |
| 0.1 | 320   | 180    | 16:9         |

Frame Rates

| MPx   | Images Per Second (ips)                      |
|-------|--|
| 5 MPx | 12 (full), 10, 5, 1                          |
| 3 MPx | 20 (full), 16.67, 15, 12.5, 10, 5, 1         |
| 2 MPx | 30 (full), 20, 25, 16.67, 15, 12.5, 10, 5, 1 |
| 1 MPx | 30 (full), 20, 25, 16.67, 15, 12.5, 10, 5, 1 |
| SD    | 30 (full), 20, 25, 16.67, 15, 12.5, 10, 5, 1 |

**Note:** Available frame rates are selectable for each independent stream depending on the coding, resolution, and stream configuration.

Video Encoding

H.264 high or main profiles; and MJPEG

Bit Rate Control

Constrained bit rate (CBR), variable bit rate (VBR) with target range

Service Stream

320 x 240 or 320 x 180; 2 ips, MJPEG

Snapshot

JPEG capture at resolution of live view stream

Window Blanking

4 configurable windows

# TECHNICAL SPECIFICATIONS

## ELECTRICAL

|                   |  |
|-------------------|--|
| Network Port      | RJ-45 connector for 100Base-TX                                   |
| Power Input       | PoE (IEEE 802.3af) Class 2<br>24 VAC nominal, 18 to 32 VAC range |
| Power Consumption | <6 W   |
| Local Storage     | Up to 32GB on MicroSDHC or SDXC card                             |
| Alarm             |  |
| Input             | 1  |
| Output            | 1; PhotoMOS™ relay (30 V, 1 A)                                   |
| Triggers          | Unsupervised mode that detects switch closures (N.O. and N.C.)   |

## ENVIRONMENTAL

|                       |                              |
|-----------------------|------------------------------|
| Operating Temperature | −10° to 50°C (14° to 122°F)  |
| Storage Temperature   | −40° to 60°C (−40° to 140°F) |
| Operating Humidity    | 15% to 85%, RH noncondensing |

## AUDIO

|           |                         |
|-----------|-------------------------|
| Streaming | Dual-channel            |
| Input     | Line in/terminal block  |
| Output    | Line out/terminal block |
| Encoding  | G.711 A-law/G.711 U-law |

## GENERAL

|                     |                                    |
|---------------------|------------------------------------|
| Construction        | Plastic body; polycarbonate bubble |
| Finish              | White, RAL 9003; satin texture     |
| Pan/Tilt Adjustment | Manual                             |
| Pan                 | 355°                               |
| Tilt                | 75°                                |
| Rotate              | 360°                               |
| Weight              | 0.61 kg (1.34 lb)                  |
| Shipping Weight     | 0.81 kg (1.79 lb)                  |

## NETWORK

|                     |   |
|---------------------|---|
| Supported Protocols | TCP/IP, UDP, ICMP, IPv4, SNMP v2c/v3, HTTP, HTTPS, SSL, SSH, SMTP, FTP, RTSP, UPnP, DNS, NTP, RTP, RTCP, LDAP |
| Users               |   |
| Unicast             | 1 administrator, up to 4 viewers  |
| Multicast           | Unlimited users H.264   |
| Security Access     | Multiple user access levels with password protection  |

## INTEGRATION

|                               |   |
|-------------------------------|---|
| Video Management              | Digital Sentry 7.3 (or later);<br>Endura 2.0 (or later);<br>Third-party VMS through Pelco API 1.0 and ONVIF Profile S   |
| Mobile Application Analytics  | Integrated to Pelco Mobile App<br>Simple motion detection and camera sabotage   |
| Local Storage                 | Capture 5- or 10-second video clips on camera sabotage, motion detection, or alarm input; record video continuously in the case of network outage with option to overwrite; access video through FTP protocol |
| Camera Discovery and Firmware | Cameras discovered and firmware upgrade through Pelco Device Utility 2 version 2.2; cameras discovered and firmware upgrade through Endura Utilities  |
| Web Browser Support           | Microsoft® Internet Explorer® 8.0 and later   |

## CERTIFICATIONS\*

- CE - EN 55022 (Class A), EN 50130-4, EN 60950-1
- FCC (Class A) - 47 CFR Part 15
- UL and cUL Listed - UL 60950-1, CAN/CSA-C22.2 No. 60950-1-07
- ICES-003
- KCC
- NOM

\*At the time of this publication, certifications are pending. Please consult the factory, our Web site ([www.pelco.com](http://www.pelco.com)), or the most recent B.O.S.S.® update for the current status of certifications.

# TECHNICAL SPECIFICATIONS

## MODELS

| Type                 | Resolution | Lens         | Model Number with Mount |
|----------------------|------------|--------------|-------------------------|
| <b>In-Ceiling</b>    | 5 MPx      | 3 to 9 mm    | IMP519-1I               |
|                      | 3 MPx      | 3 to 9 mm    | IMP319-1I               |
|                      | 2 MPx      | 3 to 9 mm    | IMP219-1I               |
|                      | 1 MPx      | 2.8 to 10 mm | IMP1110-1I              |
|                      | SD         | 2.8 to 10 mm | IMPS110-1I              |
| <b>Surface Mount</b> | 5 MPx      | 3 to 9 mm    | IMP519-1S               |
|                      | 3 MPx      | 3 to 9 mm    | IMP319-1S               |
|                      | 2 MPx      | 3 to 9 mm    | IMP219-1S               |
|                      | 1 MPx      | 2.8 to 10 mm | IMP1110-1S              |
|                      | SD         | 2.8 to 10 mm | IMPS110-1S              |
| <b>Pendant</b>       | 5 MPx      | 3 to 9 mm    | IMP519-1P               |
|                      | 3 MPx      | 3 to 9 mm    | IMP319-1P               |
|                      | 2 MPx      | 3 to 9 mm    | IMP219-1P               |
|                      | 1 MPx      | 2.8 to 10 mm | IMP1110-1P              |
|                      | SD         | 2.8 to 10 mm | IMPS110-1P              |

## RECOMMENDED MOUNTS


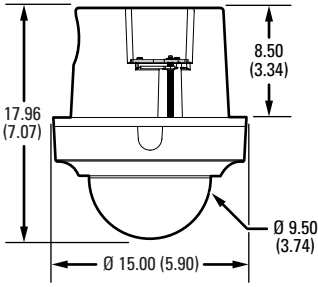

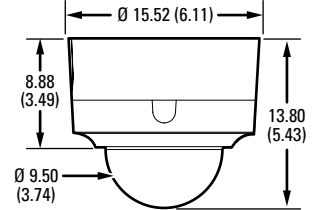

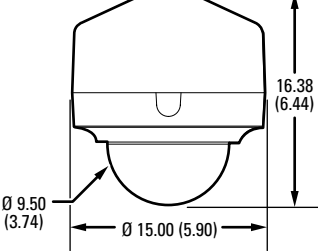
WMVE-SW Wall mount, white; for use with indoor pendant mount options

## OPTIONAL ACCESSORIES

IPCT01 Pelco IP camera tester\*

\*Contact Pelco Product Support for more information about the use of the Pelco IP camera tester with cameras.

 VALUES IN PARENTHESES ARE INCHES; ALL OTHERS ARE CENTIMETERS.

|   |   |   |
|---|---|---|
|   |   | <p><b>In-Ceiling</b></p> <ul style="list-style-type: none"> <li>• Plenum Rated Back Box</li> <li>• Clearance Above Ceiling 4 in.</li> <li>• Maximum Ceiling Thickness 1.5 in.</li> <li>• 3/4-Inch NPT or 25 mm Conduit Attachments On Back Box</li> </ul> |
|  |  | <p><b>Surface Mount</b></p> <ul style="list-style-type: none"> <li>• Attaches to Standard 4-Inch Square Outlet Box and Standard 2-Gang Electrical Box</li> <li>• 3/4-Inch NPT or 25 mm Conduit Attachments On Side and Top of Back Box</li> </ul>         |
|  |  | <p><b>Pendant</b></p> <ul style="list-style-type: none"> <li>• 1.06-Inch Through Hole to Fit 3/4-Inch or 25 mm Conduit Using Adaptor Nipple</li> </ul>  |

**Pelco by Schneider Electric**  
 3500 Pelco Way, Clovis, California 93612-5699 United States  
**USA & Canada** Tel (800) 289-9100 Fax (800) 289-9150  
**International** Tel +1 (559) 292-1981 Fax +1 (559) 348-1120  
[www.pelco.com](http://www.pelco.com) [www.pelco.com/community](http://www.pelco.com/community)

Pelco, the Pelco logo, and other trademarks associated with Pelco products referred to in this publication are trademarks of Pelco, Inc. or its affiliates. ONVIF and the ONVIF logo are trademarks of ONVIF Inc. All other product names and services are the property of their respective companies. Product specifications and availability are subject to change without notice. ©Copyright 2013, Pelco, Inc. All rights reserved.