



HS2500 Enclosure

HIGH SECURITY, INDOOR, CORNER MOUNT

Product Features

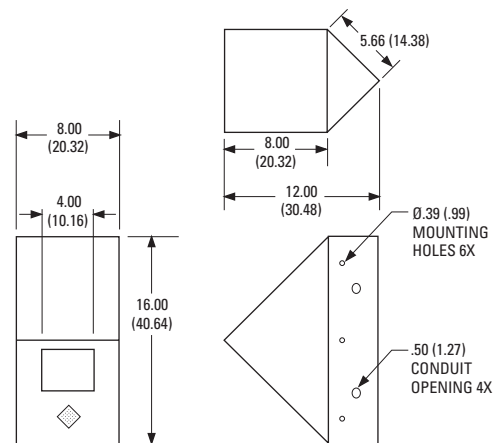
- Vandal Resistant
- Indoor (Covered), Corner Installation
- No Exposed Mounting Hardware
- All-Steel Construction (14-Gauge)
- Prewired Speaker, 3.5 Inches Square
- Tamper Switch Standard Feature



The **HS2500** is a high security enclosure designed for indoor use in applications such as parking garages, stairwells, detention cells, or other areas requiring maximum protection from vandalism. The **HS2500** fits flush to the ceiling in a corner, but can be mounted lower on the wall and still retain its effectiveness. The hinged front cover is supplied with an impact-resistant clear Lexan® window.

Constructed from medium gauge steel, the **HS2500** will accept most CCD cameras with fixed focal length and auto-iris lenses. There is no exposed mounting hardware securing the enclosure to its mounting surface. Opening the enclosure can be accomplished only by removing the two tamper-resistant screws near the bottom and lifting the cover. A factory-installed tamper switch is mounted on the secured access cover.

Options for this enclosure include a smoked window, thermostatically controlled heater kit (24 or 120 VAC), and 3.5-inch (8.89 cm) square, 12-watt, 8-ohm speaker for optional audio surveillance or two-way communication.



NOTE: VALUES IN PARENTHESES ARE CENTIMETERS; ALL OTHERS ARE INCHES.



DataFAX
SPEC: 2486
MANUAL: 24866

C486 / REVISED 10-02



TECHNICAL SPECIFICATIONS

MODELS

HS2500	High security, corner mount enclosure
HS2500/SPKR	Same as HS2500 except supplied with factory prewired 3.5-inch (8.89 cm) speaker for audio surveillance or two-way communication

MECHANICAL

Window	0.25-inch (6.35 mm) thick Lexan®
Camera Mounting	Adjustable tilt table
Maximum Camera and Lens Size	Accepts camera and lens combinations* (including BNC connector) up to: 3.00" H x 3.00" W x 10.00" L (7.62 x 7.62 x 25.40 cm)
Enclosure Mounting	Six 0.39-inch (0.99 cm) diameter holes on protected rear surface
Cable Entry	Four 0.50-inch (1.27 cm) conduit openings on mounting surface (access through back)
Security	Tamper-resistant screws Optional speaker for audio surveillance
Tamper Switch	Plunger type door switch with "pull-to-cheat" feature

*Assumes lens is fully extended.

ELECTRICAL

Electrical Connection	One 6-position terminal block
Tamper Switch	0.25-inch (0.63 cm) quick connect N.O./N.C. 10A maximum switching current 125 VAC maximum switching voltage

GENERAL

Construction	0.074-inch (1.87 mm) thick formed/welded 14-gauge steel
Finish	Gray polyester powder coat
Environment	Indoor (covered) 32° to 120°F (0° to 49°C)
Weight	
HS2500	13.07 lb (5.93 kg)
HS2500/SPKR	13.76 lb (6.24 kg)
Shipping Weight	
HS2500	16 lb (7.24 kg)
HS2500/SPKR	16 lb (7.24 kg)

CERTIFICATIONS/RATINGS

- UL Listed
- CE compliant (HK8000 and HK8024 only)
- Meets NEMA Type 1 standards

OPTIONAL ACCESSORIES

Heater Kit	HK8000	Thermostatically controlled heater kit, 120/230 VAC, 80 watts. Activates on at 40°F (4°C) and off at 60°F (15°C)
	HK8024	Same as HK8000 except 24 VAC operation
Other	HS250010000	Speaker, 3.5 inches (8.89 cm) square, 12 watts, 8 ohms
	HS250010106	Smoked window, 0.25-inch (6.35 mm) thick Lexan®



Pelco Worldwide Headquarters:

3500 Pelco Way, Clovis, California 93612-5699 USA
USA & Canada Tel: (800) 289-9100 • FAX (800) 289-9150 • DataFAX (800) 289-9108
International Tel: (559) 292-1981 • FAX (559) 348-1120 • DataFAX (559) 292-0435
www.pelco.com

Lexan® is a registered trademark of the General Electric Company.
Specifications subject to change without notice.
©Copyright 2002, Pelco. All rights reserved.