



PRODUCT SPECIFICATION

EM1400/EM2400 Mount WALL MOUNT, LIGHT-DUTY, ENCLOSURE



Product Features

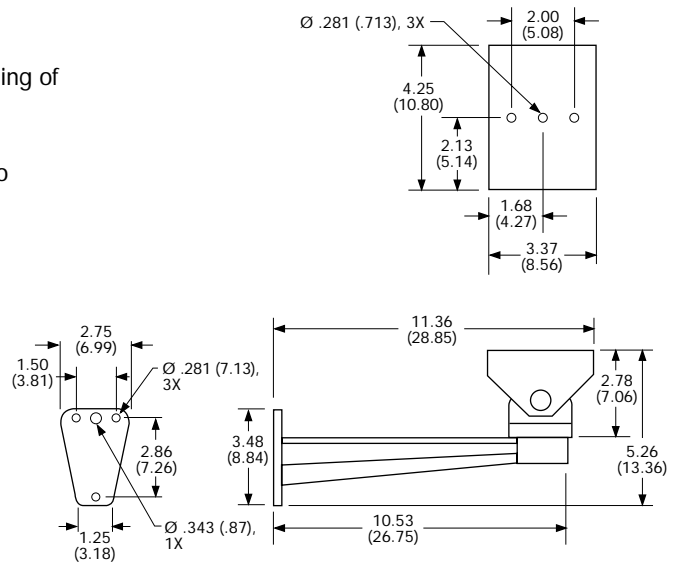
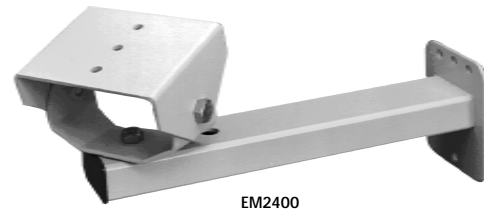
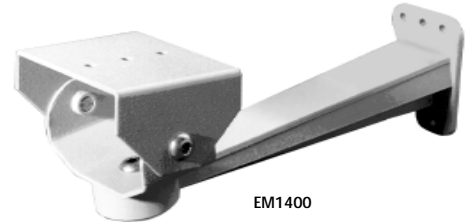
- Light Duty Wall Mount
- Adjustable Head
- Supports up to 20 Pounds (9 kg)
- Accommodates EH4000 Series Enclosures and Light- to Medium-Weight Cameras
- Cable Feedthrough Hole Conceals Wiring (EM2400 only)
- Can be Adapted for Pole Mount Applications With Use of PA101 Adapter

The **EM1400** and **EM2400** are light duty wall mounts capable of supporting a maximum load of 20 pounds (9 kg). These mounts are primarily for use with our EH4010, EH4014 and EH4018 enclosures, but can be used with other lightweight enclosures or light- to medium-weight large format cameras.

The **EM1400** features a die cast arm with an adjustable head which allows mechanical positioning of the camera or enclosure.

The **EM2400** is constructed of aluminum and also features an adjustable head which allows mechanical positioning of the camera or enclosure. In addition to the removable front end cap, there is also a half-inch diameter cable feedthrough hole in the mounting "arm" which conceals the camera or enclosure wiring.

In addition, the **EM1400** and **EM2400** can be adapted for pole mount applications when used with the PA101 pole mount adapter.



NOTE: VALUES IN PARENTHESES ARE CENTIMETERS; ALL OTHERS ARE IN INCHES.

EM1400 DIMENSION DRAWING





TECHNICAL SPECIFICATIONS

MODELS

- EM1400** Light duty wall mount for EH4010/ EH4014/EH4018 enclosures and light- to medium-weight large format cameras. Manually adjustable swivel head
- EM2400** Light duty wall mount with cable feedthrough for EH4010/EH4014/ EH4018 enclosures and light- to medium-weight large format cameras. Manually adjustable swivel head.

MECHANICAL

- Pan adjustment 360°
 Tilt Adjustment ±75°
 EM1400 ±90°
 EM2400

GENERAL

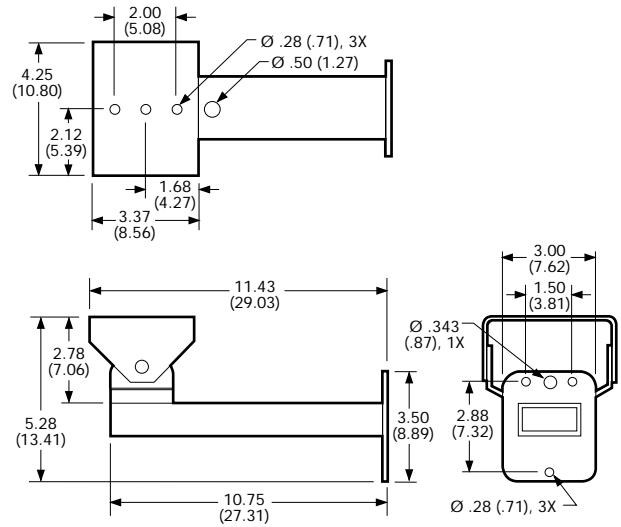
- Enclosure Mounting** Two 1/4-20 x .625 hex head machine screws (supplied)
- Suggested Mounting Method** Secure to solid surface with three 1/4-inch diameter fasteners (not supplied) or use one 5/16-inch dia. and one 1/4-inch dia. fastener for center mount holes in applications where wall studs are encountered
- Cable Feedthrough (EM2400 only)** One .50-inch (1.27 cm) diameter hole in mount arm
- Construction**
 EM1400 Die cast zinc
 EM2400 Aluminum
- Finish** Gray polyester powder coat
- Maximum Load** 20 lb (9 kg)
- Unit Weight**
 EM1400 1.56 lb (0.71 kg)
 EM2400 2.75 lb (1.25 kg)
 PA101 0.88 lb (0.40 kg)
- Shipping Weight**
 EM1400 3 lb (1.35 kg)
 EM2400 4 lb (1.81 kg)
 PA101 2 lb (0.90 kg)

CERTIFICATIONS

- ◆ UL listed to Standard 2044 (model EM1400 only)

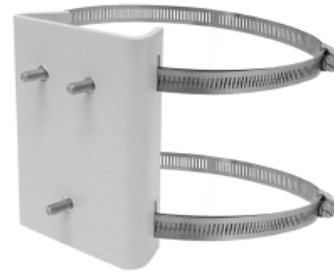
OPTIONAL MOUNT ADAPTER

- PA101** Pole mount adapter for EM1400 and EM2400 mounts. Minimum pole diameter 3 inches (7.62 cm). Stainless steel straps provided. Strap length 28.5 inches (77.38 cm).

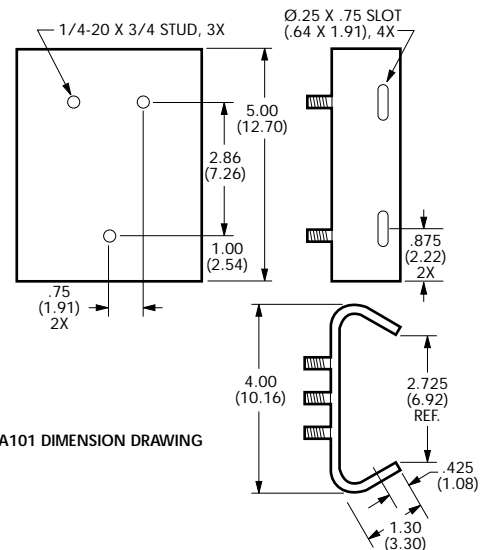


NOTE: VALUES IN PARENTHESES ARE CENTIMETERS; ALL OTHERS ARE IN INCHES.

EM2400 DIMENSION DRAWING



PA101 POLE ADAPTER



PA101 DIMENSION DRAWING

NOTE: VALUES IN PARENTHESES ARE CENTIMETERS; ALL OTHERS ARE IN INCHES.

■ Indicates change or addition since last revision.

Specifications subject to change without notice.
 ©Copyright 2000, Pelco. All rights reserved.