

# EH5700 Series Enclosure

## OUTDOOR, LARGE

### Product Features

- All-Aluminum Construction
- Gas-Spring-Assisted Forward-Opening Lid
- Cable Entry Glands and Mounting Holes Located on Bottom of Enclosure
- Link-Lock Latches for Security
- Designed for Indoor/Outdoor Applications
- For Use with Fixed Mount or Pan/Tilt
- Special Options Include 120 VAC Outlet, Preset Lens Wiring Harness, and Window Wiper



EH5723



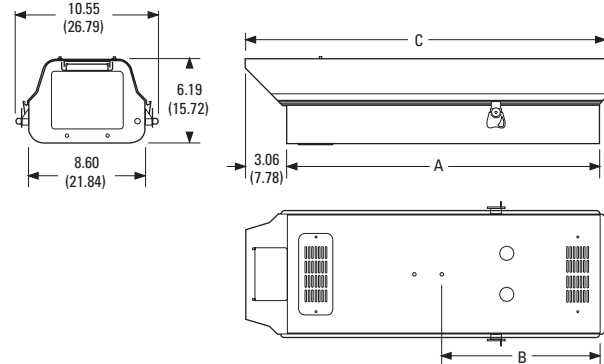
ENCLOSURE WITH SUN SHROUD

The **EH5700 Series** are indoor/outdoor enclosures designed for use with Pelco's medium- and heavy-duty pan/tilts or fixed mounts. Constructed of aluminum and available in a 23-inch (58.42 cm) length (**EH5723**) and 29-inch (73.66 cm) length (**EH5729**), these enclosures are designed to accept larger format cameras with either fixed focal length lenses or motorized zoom lenses.

The enclosure opens from the rear. The forward-opening lid allows for maximum accessibility during installation and when camera and lens adjustments are necessary. A gas spring securely holds the lid when fully opened. The lid is secured with side-mount link-lock latches. If desired, the latches can be secured with a padlock of suitable size for additional security.

All models feature an adjustable camera sled with a built-in elevation block that can be removed and inverted. The **EH5700 Series** enclosures are available with a full complement of accessories which include blower, heater, window defroster, sun shroud, window wiper, preset lens wiring harness, 120 VAC outlet, and thermal insulation.

The **EH5700 Series** can be used in fixed mount applications or mounted to a PT570 Series medium duty pan/tilt or PT1250 Series heavy duty pan/tilt.



MODEL	A	B	C
EH5723	23.00 (58.42)	11.50 (29.21)	26.50 (67.31)
EH5729	29.00 (73.66)	14.50 (36.83)	32.50 (82.55)

NOTE: VALUES IN PARENTHESES ARE CENTIMETERS; ALL OTHERS ARE INCHES.



DataFAX  
SPEC: 21431  
MANUAL: 214316

C1431 / REVISED 10-02



U.S. Patent #307,915



# TECHNICAL SPECIFICATIONS

## MODELS

Model Number	Basic Enclosure	120 VAC	24 VAC	230 VAC	Heater	Defroster	Blower	Max. Power Consumption*
EH5723	•							
EH5723-1		•			•		•	105W
EH5723-2			•		•		•	60W
EH5723-3				•	•		•	85W
EH5729	•							
EH5729-1		•			•		•	105W
EH5729-2			•		•		•	60W
EH5729-3				•	•		•	85W

\*If optional defroster is used, add 30W to consumption

## ELECTRICAL

Input Voltage	24, 120 or 230 VAC, 50/60 Hz
Electrical Connection	Connectors for power input, lens, camera and accessories (-1/-2/-3 models only)
<i>(-1/-2/-3 models only)</i>	Heater and defroster activate on at 42-58°F (6-14°C) and off at 72-88°F (22-31°C). Blower activates on at 77-93°F (25-34°C) and off at 62-78°F (17-26°C)

## MECHANICAL

Camera Mounting	Removable camera sled; can be inverted
Cable Entry	Two PG13.5 UL glands on bottom of enclosure; 0.47-inch (1.19 cm) maximum cable diameter
Cable Entry Holes	0.875-inch (2.22 cm) diameter; will accept 0.5-inch (1.27 cm) conduit fitting when compression gland is removed
Connectors	
Video	BNC
Camera Sync	BNC
Latches	Link-lock No. 3, stainless steel; can be secured with padlocks (not supplied) EH5723 Series (2), EH5729 Series (4)

## GENERAL

Maximum Camera and Lens Size	Accepts camera and lens combinations* (including BNC connector) up to:
EH5723	22" L x 7.5" W x 5.5" H (55.88 x 19.05 x 13.97 cm)
EH5723-1/-2/-3	15.5" L x 6.25" W x 5.5" H (39.37 x 15.88 x 13.97 cm)
EH5729	28" L x 7.5" W x 5.5" H (71.12 x 19.05 x 13.97 cm)
EH5729-1/-2/-3	21.5" L x 6.25" W x 5.5" H (54.61 x 15.88 x 13.97 cm)
Viewing Window	Glass, 0.25-inch (6.35 mm) thick 4.25" H x 5.25" W (10.79 x 13.33 cm)
Construction	Aluminum, 0.080-inch (0.20 cm) thick (body and lid)
Finish	Gray polyester powder coat
Environment	Indoor/outdoor; -10° to 120°F (-23° to 49°C)

\*Assumes lens is fully extended.

Weight	Unit	Shipping
EH5723	11 lb (4.98 kg)	12 lb (5.43 kg)
EH5723-1,-2,-3	13 lb (5.88 kg)	15 lb (6.79 kg)
EH5729	16 lb (7.24 kg)	18 lb (8.15 kg)
EH5729-1,-2,-3	18 lb (8.15 kg)	20 lb (9.06 kg)

## CERTIFICATIONS/RATINGS/PATENTS

- CE Class A (models EH5723/-2/-3 and EH5729/-2/-3)
- UL Listed (except 230 VAC models)
- UL Listed to Canadian safety standards (except 230 VAC models)
- Meets NEMA Type 3R standards
- U.S. patent 307,915

## OPTIONAL ACCESSORIES

<b>Blower Kit</b>	BK57-1* BK57-2* BK57-3*	Blower kit, 120 VAC, 15W Blower kit, 24 VAC, 10W Blower kit, 230 VAC, 15W
<b>Heater Kit</b>	HK57-1* HK57-2* HK57-3*	Heater kit, 120 VAC, 90W Heater kit, 24 VAC, 50W Heater kit, 230 VAC, 70W
<b>Sun Shroud</b>	SS5723 SS5729	Sun shroud for EH5723 series enclosures Sun shroud for EH5729 series enclosures
<b>Window Defroster</b>	WD57-1* WD57-2* WD57-3*	Window defroster, 120 VAC, 30W Window defroster, 24 VAC, 30W Window defroster, 230 VAC, 30W
<b>Window Wiper</b>	WW5723-1** WW5723-2** WW5723-3**	Window wiper, EH5723 series, 120 VAC, 15W Window wiper, EH5723 series, 24 VAC, 15W Window wiper, EH5723 series, 230 VAC, 15W
	WW5729-1** WW5729-2** WW5729-3**	Window wiper, EH5729 series, 120 VAC, 15W Window wiper, EH5729 series, 24 VAC, 15W Window wiper, EH5729 series, 230 VAC, 15W
<b>Other</b>	O/I-PCB  O/I-LPP* O/I-OUTLET* TI57	Accessory interface board; thermostatically controls heater, blower, and defroster operation (one per enclosure required) Preset position lens wire harness 120 VAC electrical convenience outlet Thermal insulation, EH5723/EH5729 series

\*These accessories are factory wired with a plug-in connector for use with the O/I-PCB. The O/I-PCB is included with all -1/-2/-3 models. You must order one O/I-PCB if you are using a basic enclosure (EH5723 or EH5729) with these optional accessories.

\*\*Factory installed option only; consult factory for availability.

## RECOMMENDED MOUNTS

<b>Pedestal</b>	MM22	Medium duty pedestal mount; maximum load 40 lb (18.14 kg)
	PM2000, PM2010**	Pedestal mount; maximum load 125 lb (56.6 kg)
<b>Wall</b>	EM22	Medium duty wall mount; maximum load 40 lb (18.14 kg)
	WM2000**	Wall mount; maximum load 75 lb (33.97 kg)
<b>Adapter</b>	AH2000	Adjustable head

\*\*Use with AH2000 adjustable head.

## RECOMMENDED PAN/TILTS

PT570 Series	Medium duty pan/tilt, 120 VAC or 24 VAC; maximum load 40 lb (18.14 kg)
PT1250 Series	Heavy duty pan/tilt, 120 VAC or 230 VAC; maximum load 100 lb (45.4 kg)



### Pelco Worldwide Headquarters:

3500 Pelco Way, Clovis, California 93612-5699 USA

**USA & Canada** Tel: (800) 289-9100 • FAX (800) 289-9150 • DataFAX (800) 289-9108

**International** Tel: (559) 292-1981 • FAX (559) 348-1120 • DataFAX (559) 292-0435

[www.pelco.com](http://www.pelco.com)

Specifications subject to change without notice.  
©Copyright 2002, Pelco. All rights reserved.