



PRODUCT SPECIFICATION

BS1750/CM1750/CM1750S/TB1750 Mount WALL, CEILING/PEDESTAL, T-BAR MOUNT FOR CAMERAS



Product Features

- Low Cost Camera Mount
- Contemporary Design
- Adjustable Swivel Head
- Supports up to 7 Pounds (3.15 kg)
- Wall, Ceiling, Pedestal, or False T-Rail Mounting
- Optional 4-inch (10.16 cm) Extender Available



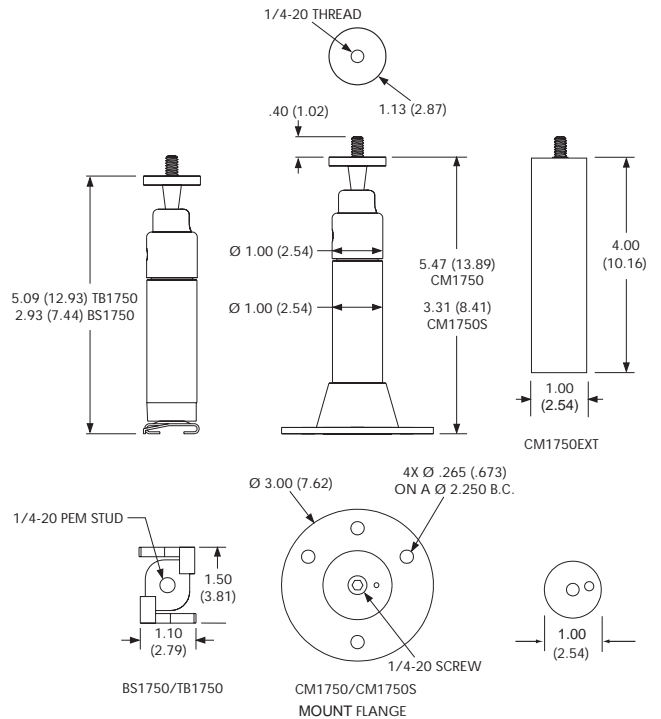
The **CM1750**, **CM1750S**, **TB1750** and **BS1750** are universal camera mounts designed for use with cameras weighing up to 7 pounds (3.18 kg). All mounts feature an easily adjustable swivel head for camera positioning.

The **CM1750** is primarily designed for ceiling or pedestal mounting, but can also be used as a wall mount. The **CM1750S** is a shorter version of the CM1750 and is recommended for ceiling or pedestal mounting applications.

The **TB1750** is specifically engineered for mounting on a "T" rail in false ceiling applications.

The **BS1750** is the swivel portion of the mount equipped with a "T-rail" clip for use in T-rail applications requiring a shorter mount.

In addition, an optional 4-inch extender (**CM1750EXT**) is available for use with the CM1750 or TB1750 mounts. This simple tube assembly screws in-between the mount and the base, extending the maximum length of the mount by 4 inches (10.16 cm).



NOTE: VALUES IN PARENTHESES ARE CENTIMETERS; ALL OTHERS ARE IN INCHES.

DataFAX (800) 289-9108 or +1(559) 292-0435 **SPEC:** 2217 **MANUAL:** 22186 (BS1750/TB1750/CM1750/CM1750S), 22196 (CM1750EXT)

Pelco Online www.pelco.com

SPEC: 2217 **MANUAL:** C218MA.PDF, C219M.PDF

A&E: Consult Online Help



TECHNICAL SPECIFICATIONS

MODELS

BS1750	Swivel head only with T-rail clip
CM1750	Universal wall, ceiling or pedestal camera mount with adjustable swivel head
CM1750S	Same as CM1750 except shorter.
CM1750EXT	4-inch (10.16m) extension tube for use with CM1750 and TB1750 mounts
TB1750	Universal T-rail camera mount with adjustable swivel head for use in false ceilings

MECHANICAL

Pan Adjustment	360°
Tilt Adjustment	90° maximum
Camera Mounting	1/4-20 threaded stud with nut
Locking Method	Set screw secures swivel assembly (Allen wrench supplied)

GENERAL

Construction	Aluminum
Finish	Gray polyester powder coat with black anodized ball/swivel
Dimensions	See dimension drawing on front page
Maximum Load	7 lb (3.15 kg)
Weight	
BS1750	0.25 lb (0.11 kg)
CM1750	0.50 lb (0.22 kg)
CM1750S	0.30 lb (0.14 kg)
CM1750EXT	0.25 lb (0.11 kg)
TB1750	0.38 lb (0.17 kg)
Shipping Weight	
BS1750	1 lb (0.45 kg)
CM1750	2 lb (0.9 kg)
CM1750S	1 lb (0.45 kg)
CM1750 EXT	1 lb (0.45 kg)
TB1750	1 lb (0.45 kg)

CERTIFICATIONS

- ◆ UL listed to Standard 2044 (BS1750, CM1750, CM1750S and TB1750)

Specifications subject to change without notice.
©Copyright 1998, PELCO. All rights reserved.