

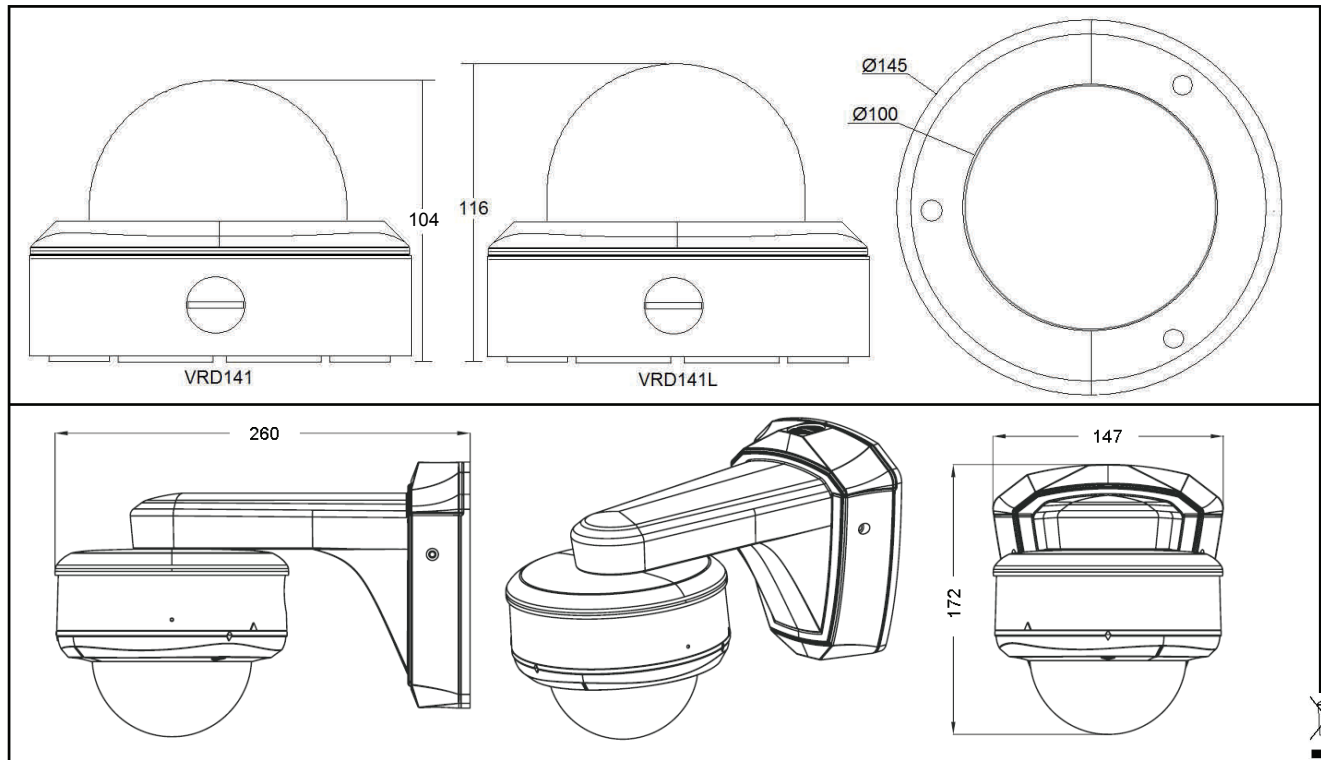
IP68 Vandal-Resistant Dome Camera w/OSD technology and IRLED (option)

- 1/3" Sony® Super HAD II CCD
- High Resolution - 600TVL
- Dual Voltage 12vDC/24vAC
- OSD Joystick controls
- 3D Digital Noise Reduction (3DDNR)
- 2.8-12mm F1.2 DC Iris Lens
- TDN Filter-Change (ICR)
- Digital Wide Dynamic Range (DWDR)
- Privacy function (6-Zone)
- Highlight Masking function (HLM)
- Digital Image Stabiliser (DIS)
- Motion Detection (240-Zone)
- Lens Shading Compensation (LSC)
- x10 Digital Zoom
- 3-Axis internal Camera adjustment
- IR range of 10-15m (option)



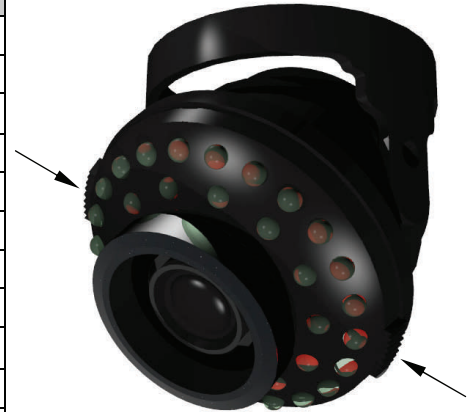
* Some critical applications may require additional lighting

Mode	Sensor	Resolution	Sensitivity	Power	Features	ORDER CODE
TDN	1/3" CCD	600TVL	0.1/0.0001Lux	12vDC/24vAC	OSD controls	VRD141
TDN	1/3" CCD	600TVL	0 Lux (IR on)	12vDC/24vAC	OSD controls / IRLEDs	VRD141L
Wall mount bracket						VRD141WBKT

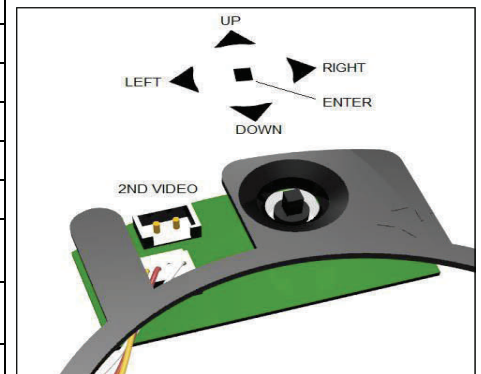
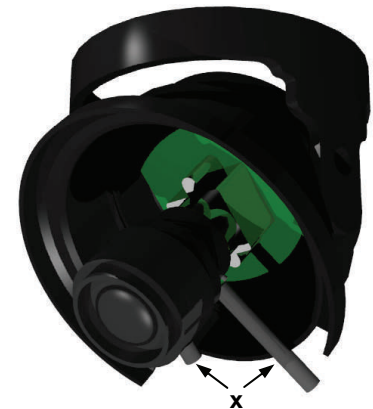


SPECIFICATION

Model	VRD141	VRD141L
Resolution	600 TV Lines	
Sensor	1/3 inch SONY Super HAD II CCD	
Total pixels	811(H) x 508(V) 410K pixels (NTSC)	
	795(H) x 595(V) 470K pixels (PAL)	
Effective pixels	768(H) x 494(V) 380K pixels (NTSC)	
	752(H) x 582(V) 440K pixels (PAL)	
Scanning system	2:1 Interlace	
Synchronization	Internal / Line Lock	
Frequency	Horizontal : 15.734KHz / Vertical : 59.94Hz (NTSC)	
	Horizontal : 15.625KHz / Vertical : 50.00Hz (PAL)	
S/N (Y signal)	More than 52 dB (AGC off)	
Video output	CVBS : 1.0Vp-p / 75ohm	
Sensitivity	0.1Lux at F1.2 (col) / 0.0001Lux (Sense up x256)	0.0Lux (IR on)
White balance	ATW / AWC / PUSH / MANUAL	
Electronic shutter	Auto / Manual	
Shutter speed	(1/60 sec ~ 1/120,000 sec NTSC)	
	(1/50 sec ~ 1/120,000 sec PAL)	
OSD	Built-in	
Sens-up	AUTO / OFF (selectable limit x2 ~ x256)	
Backlight compensation	BLC: Low, Middle, High, Off Selectable, HLM: adjustable	
AGC (Auto Gain Control)	Low, Middle, High, Off Selectable	
3D-DNR	Low, Middle, High, Off Selectable	
Day & Night	Auto, Colour, B/W, CDS	
Sync.	INTERNAL / AUTO	
Motion detection	ON (240-zone) / OFF	
Privacy	ON (6 Zone) / OFF	
D-WDR (long and short exp.)	ON / OFF (Threshold selectable 0 ~ 20)	
DIS (Digital image stabiliser)	ON / OFF	
LSC (lens shade compensation)	ON / OFF	
Digital zoom	ON (x10) / OFF	
Image conversion	FREEZE/V-FLIP /H-FLIP /ROTATE /NEGA. All ON/OFF adjustable	
Operating temperature/humidity	-10°C ~ +50°C	
	30% ~ 80% RH	
Storage temperature/humidity	-20°C ~ +60°C	
	20% ~ 90% RH	
Lens	DC iris F1.2 2.8-12mm auto ICR	
LED	n/a	35pcs ~on/off
Weight	1178g	
POWER	12vDC / 24vAC	
	170/80mA	LEDs
		on 590/230mA off 170/80mA



Squeeze the sides of the LED panel to lift off for access to Focus and Zoom controls (x)



OSD Controller

Press the ENTER button to access main menu. Use this button to enter or to select menu options.

Use the UP and DOWN buttons to move vertically and between menus and options.

Use the LEFT and RIGHT buttons to move horizontally and between menus and options.

