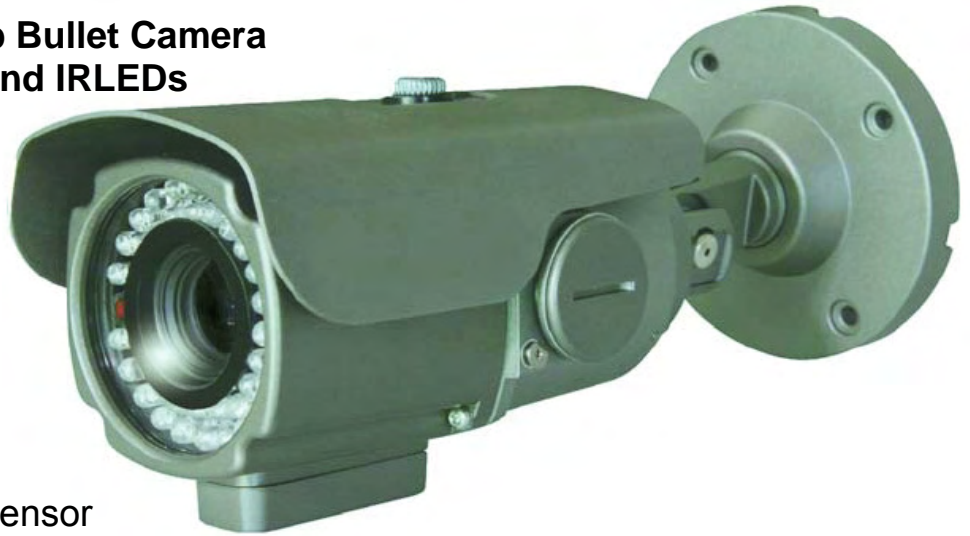


High Definition 1080p Bullet Camera w/Auto-Focus Lens and IRLEDs

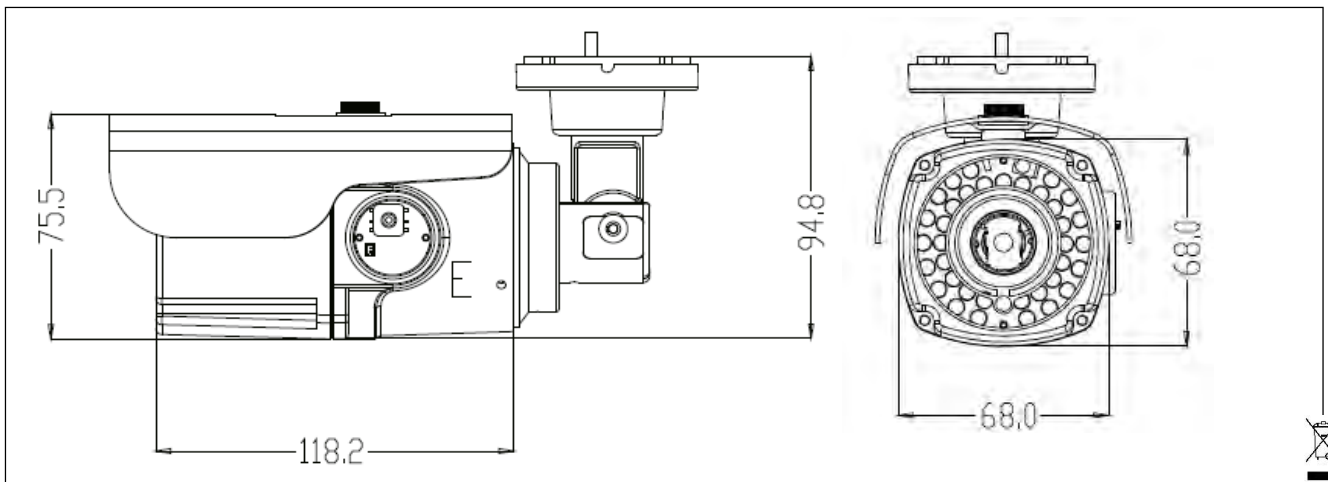


- 1/3" Sony® CMOS Sensor
- 2.0 Megapixel 1080p Resolution
- F1.2 3.5 ~ 16.0mm Auto-Focus Lens
- SDI Output (1920 X 1080)
- 'Smart' IRLED to 20M*
- Analogue 2nd Video Output
- WDR (Double Shutter)
- 3D-DNR (Digital Noise Reduction)
- Privacy Zone Masking
- Mirror, D-Zoom, Shading, DSS
- RS485
- 12vDC/24vAC Operation



* For critical viewing applications additional lighting may be required

Mode	Sensor	Resolution	Sensitivity	Power	Features	ORDER CODE
TDN	1/3" CMOS	1920x1080p 25fps	0.5/0.01 0.0lux (LEDs on)	Max 2.2W	3-axis cable-managed bracket	PC680LT-HD-SDI



SPECIFICATION

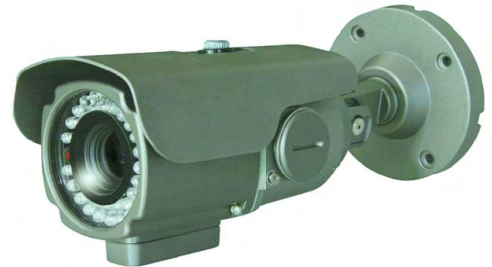
Model	PC680LT-HD-SDI	
Pick-up Device	1/3" 2.0 Megapixel CMOS	
Mode	True Day/Night	
Total pixels	2016(H) x 1108(V)	
Resolution	1920 x 1080 pixels (Colour) 25 fps	
	1920 x 1080 pixels (TDN/B&W) 25 fps	
Frame Rate	25 fps (PAL)	
Sync system	Internal	
S/N Ratio	>50dB (AGC off)	
Shutter speed	1/25s [PAL]	
Lens	3.5~16mm F1.2, Auto-Focus*	
Min. illumination	0.5 lux (F1.6, 30 IRE) Colour	0.01 lux (F1.6, 30IRE) TDN/B&W 0.0 lux (IR on)
	IRLED 20pcs Ø3mm IR to 20m (Intelligent camera sync.)	
SDI	Main Monitor	HD-SDI 1080P
	Sub Monitor	Composite Video
HD-SDI Transmission	Cable length: max. 100M (75Ω RG6 recommended)	
Operating temp.	-10°C ~ +55°C	
Storage temp.	-20°C ~ +70°C	
RS-485	Built-in	
MAX-DR	Off/On 0~15	
Gain	Low/Mid/High	
Privacy	Off/On (28-zones)	
Motion	Off/On	
Alarm	1 x External trigger input	
Mirror	Vertical and Horizontal Flip	
Digital Zoom	0~112	
Voltage	12vDC/24vAC ±10%	
Power	Max 2.2W	
Dimensions	68 (W) x 94.8 (H) x 118.2 (D) mm	

*Auto-Focus Lens

Due to the sensitivity of a MegaPixel lens, it can be hard to gain sharp focus definition.

With the **PECAN** Auto-Focus Lens Series, this is just one click and a few seconds away.

Watch the lens functioning and monitor progress on the time bar throughout the AF process.



OSD MENU (all models)

EXPOSURE	LENS	DC, MANUAL
	WDR	LOW, MIDDLE, HIGH
	AGC	X4, x8, x16, x32
	EXIT JUMP	
COLOUR	WB MODE	ATW, OUTDOOR, INDOOR
	EXIT JUMP	
DAY/NIGHT	DAY/NIGHT MODE	AUTO, COLOUR, EXT
	EXIT JUMP	
FUNCTION	BRIGHTNESS	1~10
	COLOUR GAIN	1~10
	CONTRAST	1~10
	3D-DNR	LEVEL1, LEVEL2, LEVEL3
	MIRROR	NONE, H, V, HV
	SHARPNESS	1~10
SET UP	WHITE LEVEL	1~10
	SYNC LEVEL	1~10
	PEDESTAL LEVEL	1~10
	BURST	1~10
	RESET	
	EXIT JUMP	

