

P E C A N

Professional CCTV Products



*Lens supplied separately

NC9324 Series

HI-RESOLUTION MINIATURE BOXED CAMERA
SONY® 1/3" CCD

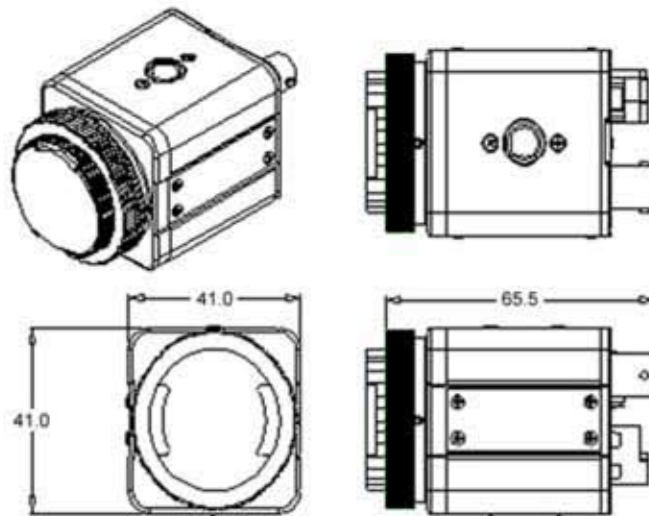
- 520/580 TVL 1/3" SONY® SUPERHAD II CCD
- Mechanical IR filter for True Day/Night function (option)
- Bespoke 'icon-navigation' OSD menus including:
 - Adjustable TDN switchpoints (option)
 - Privacy controls - Masking controls
 - Motion detection controls - Mirror function
- 12vDC/24vAC auto-sensing operation

APPLICATIONS

This versatile standard camera series will suit most camera enclosures, and can be fitted with a wide choice of lenses to suit every application.

It has a tripod-type 1/4" UNC mounting hole on top and bottom faces for simple installation, and easy access to OSD controls and the power/video connections on rear panel

01279 419913
www.pecancctv.com



SPECIFICATION

RESOLUTION	520/580 TVL - COL/MONO (option)
SENSITIVITY	0.1/0.001 LUX COL/MONO (F1.2 30 IRE)
VOLTAGE	10-16vDC 20-24vAC
POWER CONSUMPTION	1.5 W
S/N RATIO	50dB or more (AGC OFF)
SHUTTER SPEED	1/50- 1/100,000 sec.
SYNC	INT/EXT
GAMMA	0:45
STORAGE TEMP	-20°C ~ +70°C
OPERATING TEMP	-10°C ~ +55°C
HUMIDITY	UNDER 90% NON-CONDENSING
COLOUR/MONO	TDN MECHANICAL IR FILTER (option)

ORDER INFORMATION

COLOUR, 520TVL, BOX CAMERA, OSD, 41X41X65.5MM

COLOUR/MONO, 520/580TVL, BOX CAMERA, OSD, TDN, 41X41X65.5MM

We recommend the use of a minimum 1 amp power supply with this product

PRODUCT CODE

NC9324-OSD

NC9324T-OSD

PSU1210R

Whilst every effort has been made to ensure the accuracy of the information provided, no liability can be accepted for any errors or omissions. All dimensions are approximate. Stortech Electronics Ltd reserves the right to alter the specification and introduce changes without prior notice.

PECAN CCTV

tel: 01279 419913

email: sales@pecancctv.com

fax: 01279 419925

www.pecancctv.com