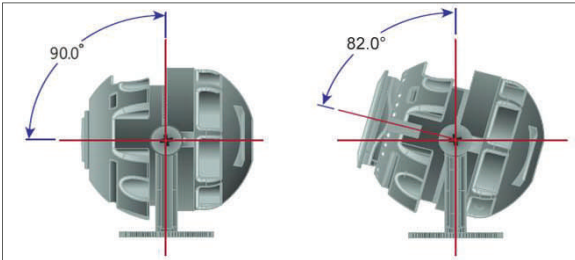


D108 Series Internal Dome

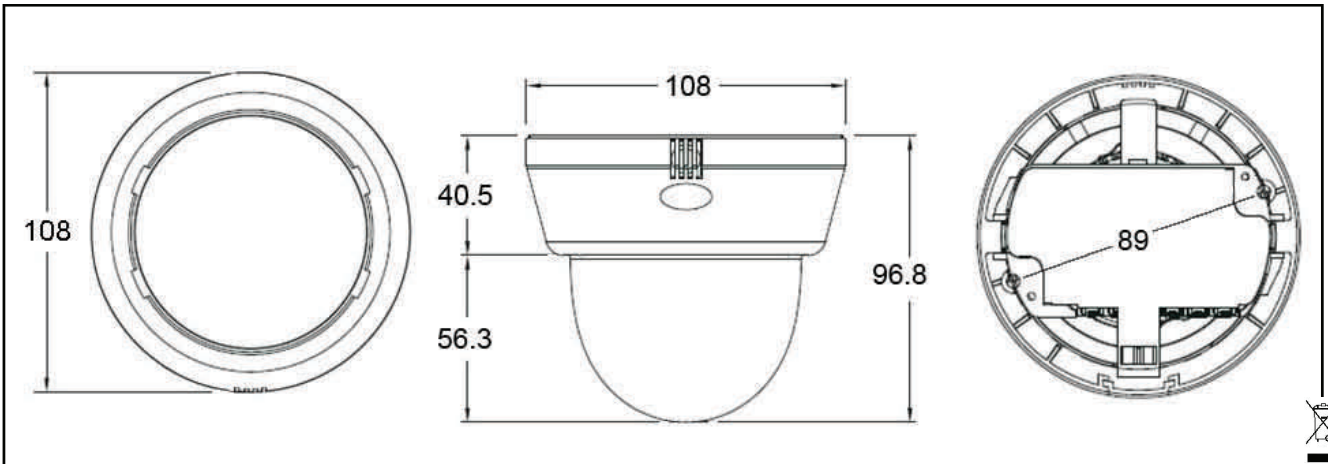
- Sony® Super HAD II CCD
- 2.8-11mm F1.4 Vari-Focal Lens
- Electronic Day/Night Function
- 2nd Video output
- Audio function
- 'Icon' OSD (On-Screen Display) controls
- Wide DC Voltage tolerance (10~16vDC)
- Dual Voltage (12vDC/24vAC)
- 850nm Infrared Lighting to 20m (option)*
- True Day Night function (w/LEDs)
- Maximum Dynamic Range
- RS-485 Port
- 3-Axis Camera adjustment
- Simple 2-Screw mounting system
- User Cable Connector for all functions
- Flying lead for basic functions



* For critical viewing applications additional lighting may be required



Mode	Sensor	Resolution Col/B&W	Sensitivity Col/B&W	Power	Features	ORDER CODE
Col/B&W	1/3" CCD	600 TVL	0.1/0.01 lux	max. 2.1W	User cable connector	D108
TDN			0.1/0.0 lux (LEDs on)	max. 4.8W	IR LED range to 20m	D108LT



Specifications

Model	D108	D108LT
Pick-up Device	1/3" Sony® Super HAD II CCD	
Mode	Electronic Col/Mono	TDN
Total pixels	NTSC: 811(H) x 508(V)	
	PAL: 795(H) x 596(V)	
Resolution	600TVL	
Sync system	2:1 Internal	
Scanning system	NTSC: 525 lines/ 60 fields	
	PAL: 625 lines/ 50 fields	
S/N Ratio	>50dB (AGC off)	
Electronic Shutter speed	Auto 1/60(1/50)~1/100000s	
Lens	2.8-11mm F1.4 DC iris vari-focal	
Min. illumination	0.1 lux (F1.2, 30IRE) Colour	0.1 lux (F1.2, 30IRE) Colour
	0.01 lux (F1.2, 30IRE) Mono	0.0 lux (F1.2, 30IRE) Mono
IRLED	n/a	20pcs @ Ø3mm
IR Range		20m
Video output	Composite 1.0v p~p 75Ω	
UTP	Built-in	
Voltage	12vDC/24vAC	
Power	max 2.1W	max 4.8W LEDs on @12vDC
Operating temp.	-10°C ~ +55°C	
Storage temp.	-20°C ~ +70°C	
RS-485	Built-in	
HME	Highlight Masking function - ON/OFF (0 ~ 60 level adjust)	
3D-DNR	Digital Noise Reduction - OFF/LOW/MIDDLE/HIGH	
MAX-DR	Maximum Dynamic Range - ON/OFF (0 ~ 20 level adjust)	
SENS-UP	Off ~ X256 adjust	
SLC	Lens edge shade compensation (0 ~ 50 level adjust)	
PRIVACY	6 Masking zones	
MOTION	240 Masking zones	

