

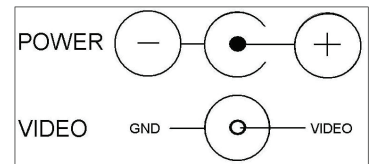
Compact, Discreet Microdome with IP67 rating

- **Sony® Super HAD II Colour CCD**
- **Aluminium Housing finished in Black or Silver**
- **Easy installation on Ceiling or Wall**
- **Full 90°/360° coverage**
- **Flush mounted, Low Profile**
- **Vandal-Resistant**

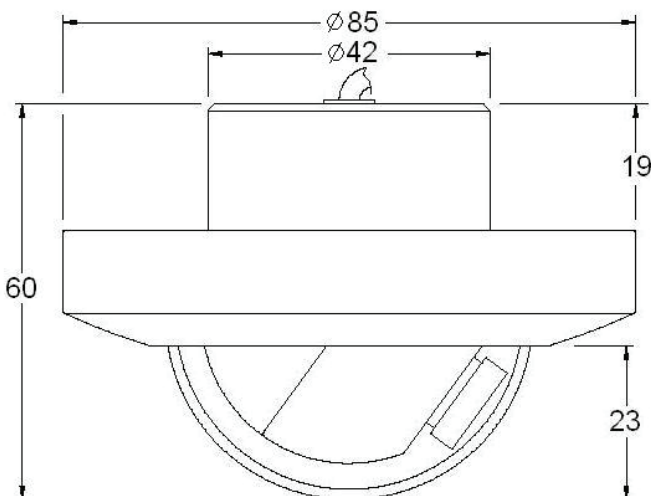


Model shown: D056C(S)

Sensor	Sony® Super HAD II CCD	Connections Power Power to the camera is supplied via the inline 12vDC mini-jack Video The video output lead is fitted with a BNC connector. A cable grommet is fitted for optional use when surface mounting. It requires a 13.5mm hole. The grommet can be cut off when not required
Exposure Control	Electronic	
Voltage	12V DC (+8V - +18V)	
AGC	Auto	
Video Signal	Composite into 75Ω	
Operating Temp.	-10 °C to +50 °C	
Relative Humidity Housing	85% Max. non-condensing Internal and external use	



Mode	Sensor	Res.	Sensitivity	Power	Features	ORDER CODES
Colour	1/3" Sony® Super HAD II CCD	480 TVL	0.5 Lux at F1.2	< 90mA	Eg. D056C has Black powder-coat finish D056C(S) has Silver powder-coat finish	D056C / D056C(S)
Colour		560 TVL	0.5 Lux at F1.2	< 90mA		D056CH / D056CH(S)
Angled adaptor for surface mounting w/additional 12° tilt						D056-SMA / D056-SMA(S)



Angled mounting adaptor - **D056-SMA(S)**
 Avoids need for large aperture in mounting surface and adds 12° extra tilt.
 Please see over for dimensions

LENS
 Std fixed lens is 3.6mm.

Lens options are available -- please contact Sales Office for details.



Compact, Discreet Microdome

- Unscrew the top cover (3).
- Attach the mounting base (4) to the wall or ceiling, wherever you want to install the camera. Locate a wall stud or ceiling joint and secure the base using the screws provided.
The screws shown (5) are for attaching camera to mounting adaptor. Standard screws and plugs are supplied for mounting direct to ceiling/wall.
- Connect BNC video jack to the monitor and connect DC power jack to 12vDC power source.
- When picture shows on the monitor, loosen the knurled ring (6) for setting view (and focus-locking screw (7) if re-focussing is required).
Adjust the camera view by moving the ball (8).
- Fix the ball in position by re-tightening the knurled ring (clockwise).
- Use the supplied Torx® key (1) and tamper screw (2) to lock the top cover.

