

PECAN

Professional CCTV Products



15° angled surface mount adaptor available



3D-DNR (Digital Noise Reduction)



MAX-DR (Maximum Dynamic Range)



HME (Highlight Masking Exposure)

Optional 'Icon' OSD Remote Control



D054CHLT Series Internal/External TDN Colour/Mono MicroDome

- 1/3" Sony Super HAD II CCD
- 560 TVL high resolution
- IP66 weather-resistant
- 15pcs IR LED
- 3 axis camera alignment
- Easy 'Plug & Play' installation and set up
- 10-16v DC operation
- Low power consumption 90 mA LEDs off 175 mA LEDs on @ 12v DC
- Lightweight corrosion-resistant polycarbonate housing available in black or silver

Options include:-

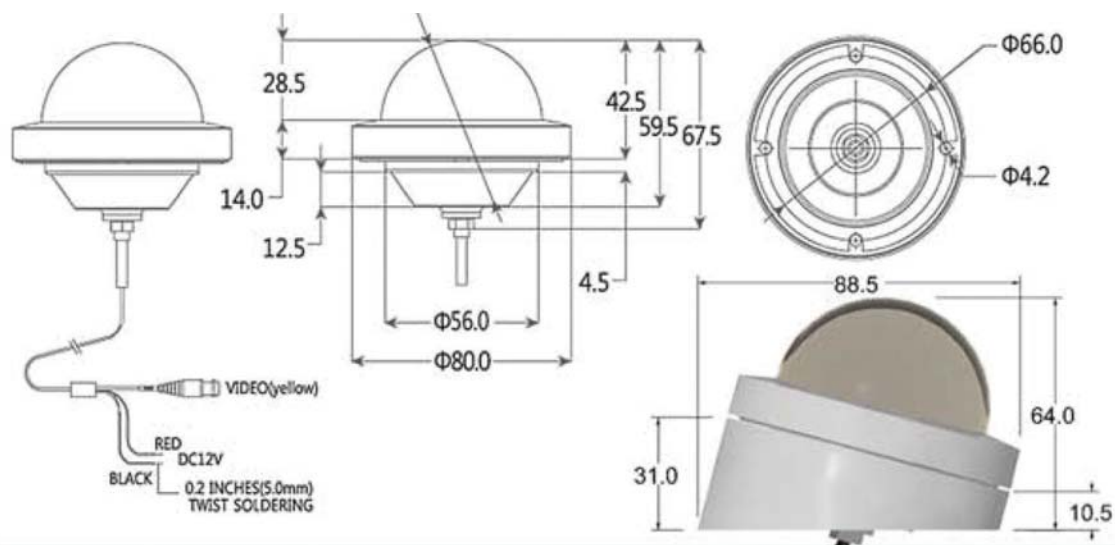
- 'Icon' OSD (On Screen Display) system
- 2nd video output in controller
- 15° angled surface mount adaptor in black or silver

APPLICATIONS

This premium MicroDome camera is designed to offer discreet, high performance surveillance. The OSD controls allow individual camera set up, optimising image quality for each application. Ideal for installation in high-end domestic and retail environments as well as transport applications.

☎ 01279 419913
www.pecancctv.com

**D054CHLT Series
Dimensions (mm)**



Technical data

With optional 15° Surface Mount Adaptor

Video output	Composite video 75 Ohms
Exposure control	Electronic
Lens	3.6mm fixed lens
Shutter speed	1/50-1/100,000 sec
Sync	Int/Linelock
Gamma	0.45
Resolution	560 TVL
Sensitivity	0.1 Lux/0.01 Lux Colour/Mono (F1.2 30 IRE)
S/N Ratio	50 dB or more (AGC Off)
Operating temperature	-10 to +55°C
Storage temperature	-20 to +70°C
Relative humidity	<90% non-condensing
Power	10-16v DC
Power consumption	90 mA/175 mA LEDs Off/On
Weight	101g

OSD features include:-

TDN True Day/Night switching	AGC Auto Video Gain - Off/Low/Mid/High
3D-DNR	Three Dimensional Digital Noise Reduction
BLC 4 zone Back Light Compensation	LEDs On/Off
MAX-DR	Maximum Dynamic Range - 0-20 setting
SENS-UP	Digital sensitivity boost
HME	Highlight Masking Exposure
MIRROR	Horizontal and vertical picture flip

Order information

Description	Finish	Code
TDN Colour/Mono MicroDome	Black	D054CHLT
TDN Colour/Mono MicroDome	Silver	D054CHLT(S)
15° Surface Mounting Adaptor	Black	D053/D054-SMA
15° Surface Mounting Adaptor	Silver	D053/D054-SMA(S)
On Screen Display (OSD) Remote Controller		D053/D054-OSD-CONTROL
Recommended minimum 1 amp power supply		PSU1210R

Whilst every effort has been made to ensure the accuracy of the information provided, no liability can be accepted for any errors or omissions. All dimensions are approximate. Stortech Electronics Ltd reserves the right to alter the specification and introduce changes without prior notice.

PECAN CCTV

Tel: 01279 419913 **Fax: 01279 419925**
Email: sales@pecancctv.com **www.pecancctv.com**