

P E C A N

Professional CCTV Products



COV-PIR-HL/A
Covert Camera in PIR Detector Housing
Colour/Mono with IR LEDs & Audio Function

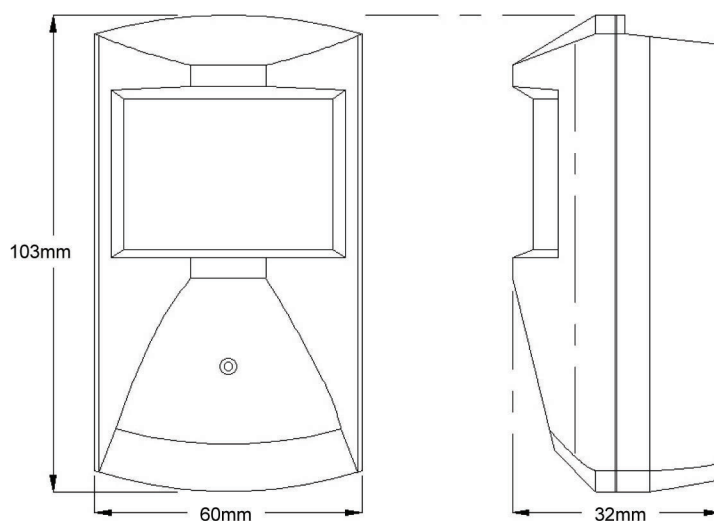
- Sony Super HAD CCD
- 540 TVL resolution
- 18 x 850nm IR LEDs for 5-10m coverage
- Integral audio function
- Simple plug and play operation
- Automatic low-light switching
- Integral bracket

APPLICATIONS

Ideal for internal domestic, school, office covert applications. "Rapid deployment".

☎ 01279 419913
www.pecancctv.co.uk

COV-PIR-HL/A
Dimensions (mm)



Technical data

Video output	Composite video 75 Ohms
Exposure control	Electronic
Lens	Pinhole lens 4.2mm/F2.0 type
Operating temperature	-10 to +50°C
Relative humidity	85% maximum non-condensing
On-board audio	1v p-p
Voltage	12v DC
AGC	Always on
Weight	110g

Power connection

The camera is fitted with a flying jack lead comprising: power jack - inline 12v DC, BNC female - video signal, RCA phono female - audio signal. The signal output is standard PAL composite video.

Mode	Colour/Mono
Sensor	1/3" PAL
Resolution	540 TVL
Sensitivity	0.0 Lux LEDs ON
Power	150/310 mA LEDs OFF/ON
IR illumination	In-built

For critical viewing applications additional illumination may be required.

Order information

Code

Covert colour/mono camera in PIR detector with audio function COV-PIR-HL/A

We recommend the use of a 1000 mA power supply with this item PSU1210R

Please note: This PIR detector unit is not approved for use with intruder alarm systems.

Whilst every effort has been made to ensure the accuracy of the information provided, no liability can be accepted for any errors or omissions. All dimensions are approximate. Stortech Electronics Ltd reserves the right to alter the specification and introduce changes without prior notice.

PECAN CCTV

Tel: 01279 419913

Email: sales@pecancctv.co.uk

Fax: 01279 419925

www.pecancctv.co.uk