

### Covert Camera In PIR Detector Housing.

Monochrome models offering good response to Infra-red illumination.

All models with internally fitted microphone as standard for Audio monitoring.



Sensor	Interline CCD
Exposure Control	Electronic
Voltage	12V DC
AGC	Always on
Video Signal	Composite into 75Ω
Operating Temp.	-10 °C to +50 °C
Relative Humidity	85% Max. non-condensing
On-board Audio	Line-level output.
MASS (operational models)	165 grammes

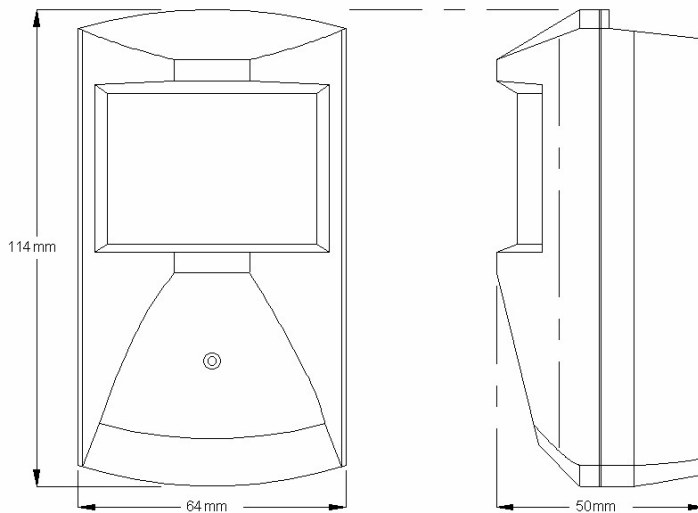
#### Connections

The camera is fitted with internal and external screw terminals for connection of stripped cables without the need for adding plugs.

+12V	- 12V DC power
0V	- 0V / Signal Ground (& Co-axial screen)
VID	- Video signal (Co-axial core)
AUD	- Audio signal
NO	- Normally Open
NC	- Normally Closed alarm
COM	- Common Contact

The Video and Audio signals use the 0V connection as Ground.  
The signal output is a standard PAL composite video signal.

Mode	Sensor	Resolution	Sensitivity	Power	Feature	ORDER CODE
Monochrome	1/3" CCIR	380 TVL	0.2 Lux	100 mA		<b>COV-PIR-M</b>
Monochrome	1/3" CCIR	380 TVL	0.2 Lux	100 mA	Operational Detector	<b>COV-PIR-MO</b>
Monochrome	1/3" CCIR	570TVL	0.2 Lux	100mA		<b>COV-PIR-MH</b>
Colour	1/3" PAL	330 TVL	0.8 Lux	160 mA		<b>COV-PIR-C</b>
Colour	1/3" PAL	450 TVL	1.0 Lux	160 mA		<b>COV-PIR-CH</b>
Colour	1/3" PAL	330 TVL	0.8 Lux	160 mA	Operational Detector	<b>COV-PIR-CO</b>



#### Lenses

Pinhole lens fitted is a 3.7 mm type.

#### Motion Detection

The PIR has been set to a standard sensitivity. If adjustment is required, turn the potentiometer (to right of Sensor) clockwise to increase sensitivity.

#### Relay Terminals

COM terminal connected to NC during standby.  
COM terminal connects to NO when motion is detected.

**Please note:** These PIR detector units are not approved for use with intruder alarm systems.

