

Covert Camera Encased In an Electrical Junction Box Housing.

Monochrome models offering good response to Infra-red illumination.

Easy to install

Some models fitted with JCAM2 terminal assembly

Microphone fitted to some models



Sensor	Interline CCD
Exposure Control	Electronic
Voltage	12V DC
AGC	Always on
Video Signal	Composite into 75Ω
Operating Temp.	-10 °C to +50 °C
Relative Humidity	85% Max. non-condensing
On-board Audio	Line-level output.
Unit Mass	140 grammes

Connections

The camera is fitted with a four way lead for connection to video and power cables.

- RED** – 12V DC power
- BLUE** – 0V / Signal Ground (& Co-axial screen)
- YELLOW** – Video signal (Co-axial core)
- GREY or WHITE** – Audio signal (some models)

Suitable screened cable should be used to achieve optimum video performance. The camera requires a regulated 12V DC power supply.

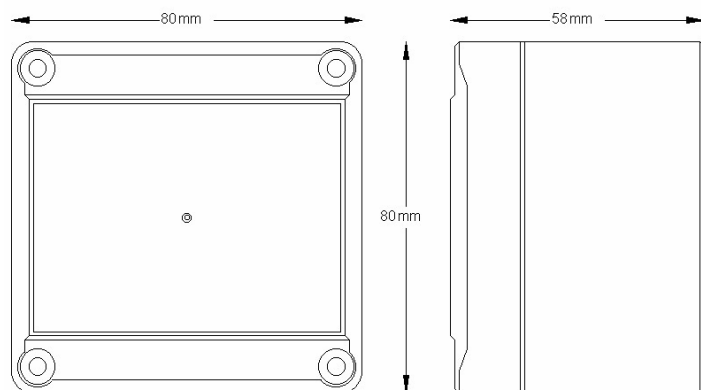
The Video and Audio signals use the 0V connection as Ground.

Optional connections

Some versions are fitted with a **JCAM2** terminal PCB.

This unit has the power connections on the PCB and is fitted with a female BCN video output connector.

Mode	Sensor	Resolution	Sensitivity	Power	Feature	ORDER CODE
Monochrome	1/3" CCIR	380 TVL	0.4 Lux	100 mA		COV-JBOX-M
Colour	1/3" PAL	330 TVL	2.0 Lux	160 mA		COV-JBOX-C



Lenses

Pinhole lens fitted is a 3.7 mm type.

View

The standard viewing angle is horizontal and perpendicular to the mounting surface.

Vertical viewing or sideways viewing is available as an option on request.