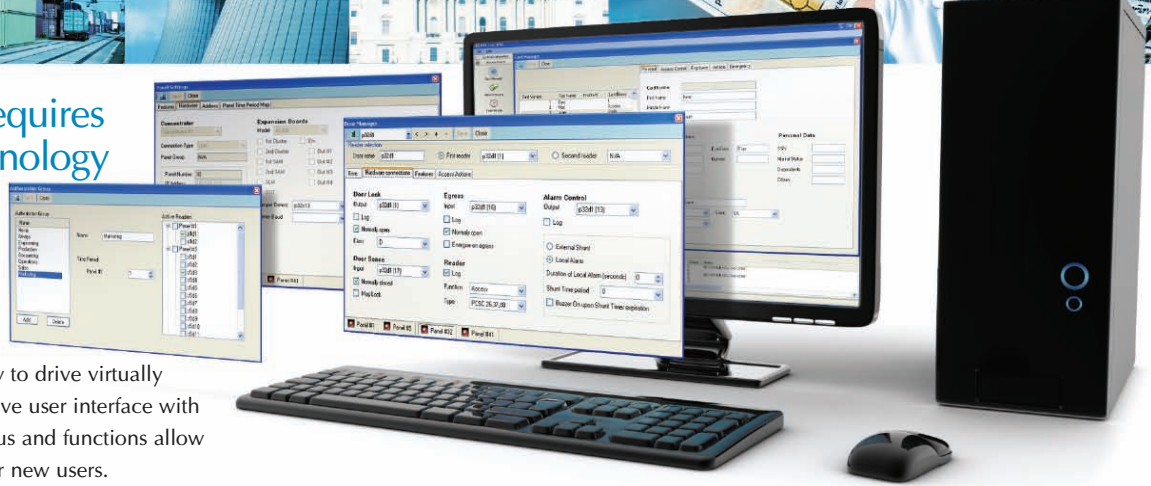




## Today's World Requires Tomorrow's Technology

The power to integrate—LiNC-NXG PIV is built on an open-architecture platform with an available SDK (Software Development Kit), allowing developers the ability to drive virtually anything access related. Intuitive user interface with standard Windows® style menus and functions allow for an easier learning curve for new users.



# LiNC-NXG PIV™

## Next Generation Security Software for Personal Identity Verification (PIV)

LiNC-NXG PIV™ is the next generation of Federal security solution systems, meeting the control and security objectives requirements of FIPS and HSPD-12 standards. LiNC-NXG PIV utilizes identification issued by the Federal departments and agencies for federal employees and contractors for gaining physical access to Federally controlled facilities. LiNC-NXG PIV utilizes PIV Cards with Cardholder Unique Identifiers (CHUID) and includes an element of the Federal Agency Smart Credential Number (FASC-N). LiNC-NXG PIV also provides “personal privacy and confidentiality” of the system and user data.

Selecting the correct system and architecture is perhaps the most important aspect of security system design. LiNC-NXG PIV provides the world's most flexible security system, utilizing a 100% distributed intelligence network with a fault tolerant architecture.

LiNC-NXG PIV's communication architecture is industry unique. PCSC offers the industry's only Fault Tolerant (FT) controller technology, which provides greater interoperability. The FT architecture delivers unparalleled reliability and responsiveness for LiNC-NXG PIV and its controller network. Whether you rely on the built in peer to peer communication or the robust Ethernet communications, database integrity and security are maintained.

## A Feature Rich Application

- FASC-N Implementation
- Fault Tolerant Architecture
- Legacy Support
- 100% Distributed Intelligence
- Peer-to-Peer Communications
- Password/Level Control Functions
- Password Controlled Data Segregation
- Operator Audit
- Password Controlled Administration
- One Click Bulk Activation or Deactivation by Cardholder Affiliation
- Supervisor Controlled Access
- Visitor Controlled Access
- Long Access/Handicapped Access
- Network Time Protocol (NTP)
- Access Actions by Cardholder or Group
- Photo Trace
- Operator Solicited Open Door
- Two Person Minimum Occupancy Rule (TPMOR)
- Automatic System Shutdown Prior to Battery Failure
- Automatic Door Opening by Time or Supervisor
- Automatic Card Activation and Deactivation by Date and Time
- Automatic User Scheduled Reports
- Automatic Daylight Savings Control
- User Defined Reports
- Intelligent Elevator Control
- Floor Destination Reporting
- 5 State Alarm Monitoring
- Occurred and Logged History Time Stamp (UTC Time Stamp)
- Regional Anti-Passback
- Strict/Lenient and Soft Anti-Passback
- 3 Levels of Entry/Exit
- Network Status with Firmware Verification
- User Selectable Alarm Type (Supervised or Dry Contact)
- Individual Alarm Latching Selection
- User Defined Input/Output Polarity
- Priority Alarm Processing
- Integrated Video Badging
- Integrated Alarm Graphics
- Integrated CCTV
- Supported OS: Windows 7 Professional, Windows XP Professional or Vista Business, Utilizing Microsoft SQL Server 2008 R2 or Microsoft SQL Express Edition



# LiNC-NXG PIV™

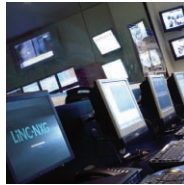
## Next Generation Security Software for Personal Identity Verification (PIV)

LiNC-NXG utilizes an intuitive Microsoft Windows® style user interface (GUI), making learning the system, second nature. Access, Alarm, Output, Elevator and System Management are accessed via easy to use icons. LiNC-NXG allows opening of more than one application window, providing ease-of-use and a higher level of system flexibility.

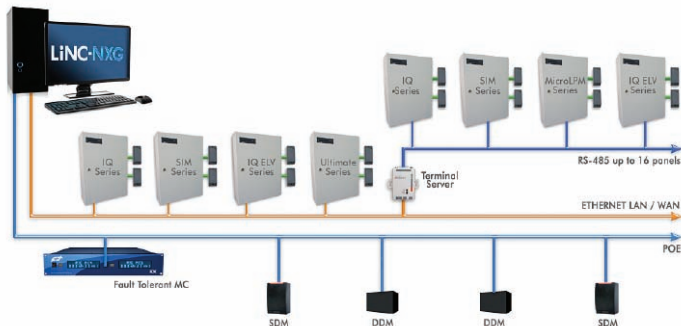


An advantage for existing PCSC users is the support for software migration. Any LiNC-NET user can use simple tools to upgrade their database and system parameters to those of the SQL database utilized by LiNC-NXG.

LiNC-NXG furnishes simple security applications, yet has embedded features for high security needs, such as; UPL (User Programmable Logic), Supervisory Control, 5 state Alarm Monitoring, Event Control and Process, TPMOR (Two Person Minimum Occupancy Rule), Escort Management, Cardholder Actions and more. System functionality and integrity of the features are assured even during loss of communications to the controllers due to the inherent advantages of PCSC's 100% Distributed Intelligence or the Fault Tolerant network architecture.



LiNC-NXG is supported by a global network of authorized PCSC Integrators and OEMs to assist you in design, installation and service. For further details, please contact your regional PCSC representative.



### Specifications

#### Standard Capacities

Cardholder	Unlimited
Card Readers	Unlimited
Access Privileges	Unlimited
Holidays	365/year (either full or partial days)
Holiday Selections	10 years
Time Periods	Unlimited
Holidays TP	Unlimited
Inputs	Unlimited
Outputs	Unlimited
Elevator Cabs	Unlimited
Passwords	128
Password Levels	128
Alarm Priorities	99
Card Affiliation Group	Unlimited

#### Standard Communication Protocol

PoE	Power over Ethernet
Ethernet	LAN/WAN
Multipoint*	RS-485
Serial*	RS-232C
Fiber Optics	RS-232/RS-485
Wireless	802.11 XBee-PRO™

\*via terminal server

### Controller Compatibility

