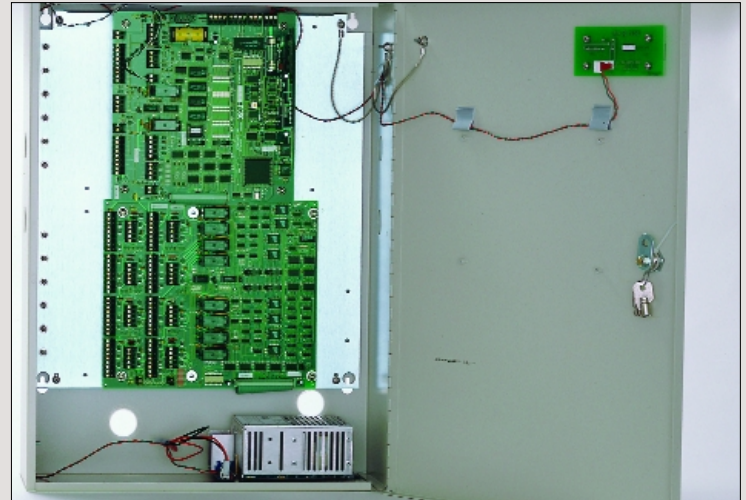


IQ SERIES CONTROLLERS

2-DOOR, 6-DOOR AND 10-DOOR INTELLIGENT CONTROLLERS

PCSC



The IQ™ Series is a family of 100% intelligent access control, alarm monitoring and output management controllers from PCSC, the technology leader in business security solutions.

The IQ Series starts with a 2-door intelligent controller, the IQ200. With its dynamic open architecture, the IQ200 can be expanded to provide capabilities for 6-door and 10-door configurations (IQ 600 and IQ 1000). The IQ family provides an inherent "Upgrade Bus" to allow users to dynamically configure the controllers with additional inputs and outputs modules. Whether the configuration is purchased initially or upgraded at a later date to meet your growing needs, the IQ Series is the industry's most adaptive technology product.

FEATURE RICH

The IQ Series offers a complete set of features to meet your security needs no matter what your site requirements may be. Handicapped Access, Money Counting Rooms, Pharmaceutical Cabinets, Research and Development Centers, High Security, Financial Institutions and commercial buildings are just few of the solutions that IQ is capable of serving.

HIGH SECURITY INPUTS

The IQ Series incorporates the most advanced alarm detection technology in the industry, providing an alarm monitoring system virtually incapable of false alarms. The high security Digital Signal Processing (DSP) capabilities provide a 5-state monitoring, instead of the usual 4-state model. The IQ's 5-state monitoring is so advanced that it will warn you of an impending alarm point failure before the failure actually happens!

FLEXIBLE COMMUNICATIONS

The IQ Series offers an optically isolated RS-485 multi-point communication. The optical isolation provides security from Electro Static Discharge (ESD) for the highest level of communication integrity. In addition to the standard communication, the IQ Series communicates over leased lines, auto-dial networks and also with onboard TCP/IP communications for LAN and WAN architectures.

SECURE INVESTMENT

The flexibility of PCSC products allows any IQ Series controller to be installed with your existing LiNC-NET® System. You can even intermix it with Micro® Series and SIM™ Series controllers products on the same communication line.

OUR PROMISE TO YOU

All PCSC products are backed by our commitment for a complete customer satisfaction: rapid response to your concerns and commitment for technology leadership. Your satisfaction will be that the product you purchase today will have the capabilities to evolve as your requirements change.

FEATURES

- 100% Distributed Intelligence
- Open Architecture Communication Protocol
- Dynamic Input/Output Linking
- High Security 5-State Alarm Monitoring
- Dynamic Configuration of Reader, Inputs and Outputs
- Electronic Updates of Firmware
- Upgrade Existing PCSC Legacy Systems
- Upgrade to a 32-bit CPU Controller
- Optional Onboard Ethernet Communication
- 5 Year Battery for Date/Time and Memory
- Real-time Diagnostic Display
- UL 294 and UL 1076, AUSTEL, CE
- 8,000 Cards Standard

SPECIFICATIONS & DRAWINGS

The IQ™ Series provides the best modular and open architecture products in the access control industry. It's available in variety of models to best suite your design criteria. It supports virtually all reader types and reader and input /output capacities to support the best configuration possible. Its standard optically isolated RS-485 or RS-232C communication and support for autodial and TCP/IP networks makes the IQ Series the choice for all security applications.

OPTIONAL UPGRADES

- Onboard TCP/IP connection
- Cardholder Capacity to 20,000 or 24,000
- Universal Power Supply with Charger
- 24 VDC Input (12 VDC Standard)
- Enclosure
- Rear Panel

MODEL

- LAN or LANU
- X
- P3 or P6
- 24
- M or L
- R

CABLING REQUIREMENTS

- Host-to-Controller: 4 conductors
(Maximum Total Distance 4,000 ft. (1,219 meters))
- Controller-to-Controller: 4 Conductors
(Maximum Total Distance 4,000 ft. (1,219 meters))
- Controller-to-Door:
Reader: 6 Conductors (Maximum 500 feet (152 m) or 2,000 ft. (609 m))
Door Strike: 2 Conductors (Maximum 2,000 ft. (609 m))
Door Status: 2 Conductors (Maximum 2,000 ft. (609 m))
REX: 4 Conductors (Maximum 2,000 ft. (609 m))
- Controller-to-Input-Point: 2 Conductors (Maximum 2,000 ft. (609 m))

SPECIFICATIONS

- Relay Rating: Form C 2.5 Amps @24 VDC
- Environmental: 32° F - 115° F (0° C - 46° C)
- Humidity: 0 - 98% Non-Condensing

ENCLOSURE DIMENSIONS

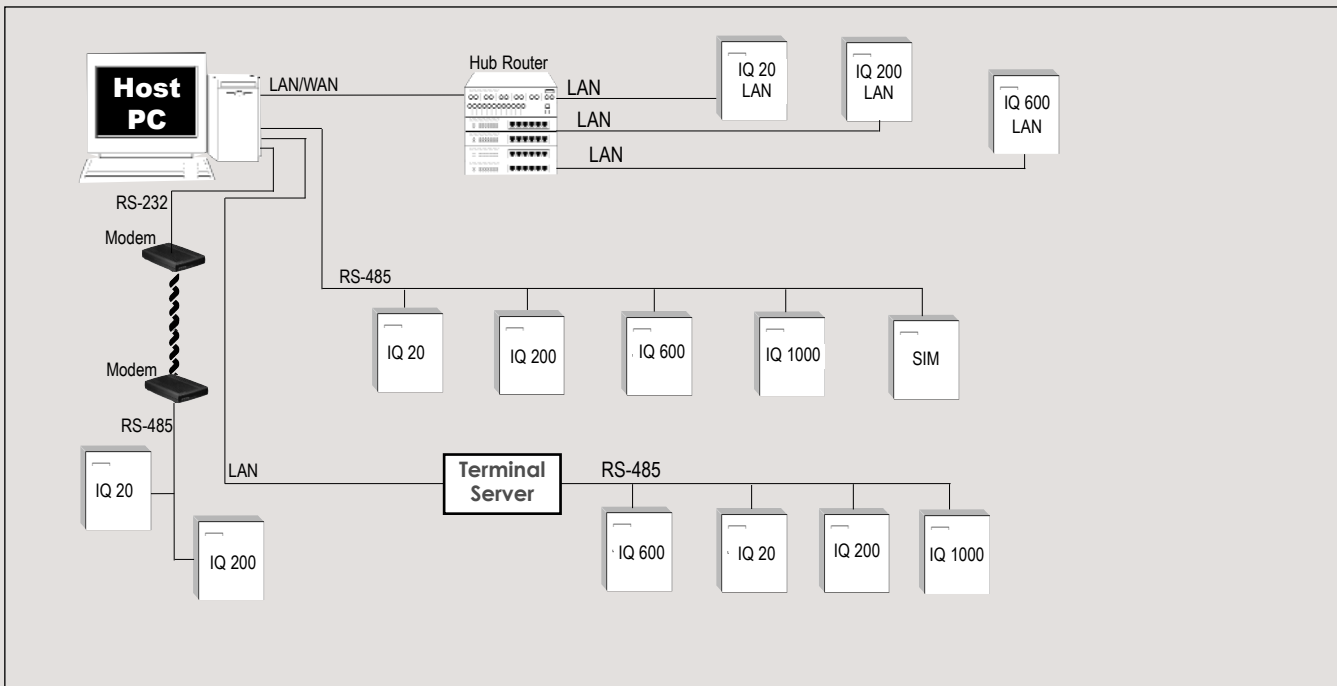
- 16 AWG CRS enclosure with Tamper, Lock and Key
- Medium: 18"h x 11.5"w x 6" d (45.7 cm x 29.2 cm x 15.2 cm)
- Large: 21.6"h x 16.1"w x 5.7"d (55.4 cm x 40.9 cm x 14.5 cm)

Composite Cable (CBLCOMP) available, which includes all necessary cables for Controller-to-Door.

Note: All cable except Door Lock is 22 AWG, Twisted, Shielded and with an Overall Shield. Door Lock is 18 AWG, Stranded with Shield.

	OPTIONAL TCP/IP COMM. (LAN)	READER PORTS	DOOR LOCK RELAY	DOOR STATUS SUPERVISED INPUT	REQUEST TO EXIT SUPERVISED	SUPERVISED READERS	ADDITIONAL SUPERVISED INPUTS	VOLTAGE OUTPUTS	ENCLOSURE TAMPER	UPGRADE CAPABLE	MAX POWER AMPS@12VDC
IQ200	YES	2	2	2	2	2	5	4	1	YES	0.8
IQ600	YES	6	6	6	6	6	5	8	1	YES	1.8
IQ1000	YES	10	10	10	10	10	5	12	1	YES	2.8
IQ20	YES	2	2	2	2	2	5	4	1	N/A	0.8

	UPGRADE MODULES			
	5-STATE SUPERVISED INPUTS	DRY CONTACT INPUTS	FORM C RELAY OUTPUTS	MAX POWER AMPS @12VDC
ALM	N/A	16	N/A	0.20
OUT	N/A	16	16	1.80
SAM	8	N/A	N/A	0.15
SAM2	16	N/A	N/A	0.30
LANU	TCP/IP COMMUNICATION			0.20



DS-IQ-Rev. 09.27.2002