


Technical Support
 01273 811011


support@paxton.co.uk


Technical help is available: Monday - Friday from 07:00 - 19:00 (GMT)
Saturday from 09:00 - 13:00 (GMT)

Documentation on all Paxton Access products can be found on our website - <http://www.paxton.co.uk/>

Suitability

Security-sensitive doors 

Mounted on metal surface 

Wet environments 

Readers mounted together **300mm**
between readers

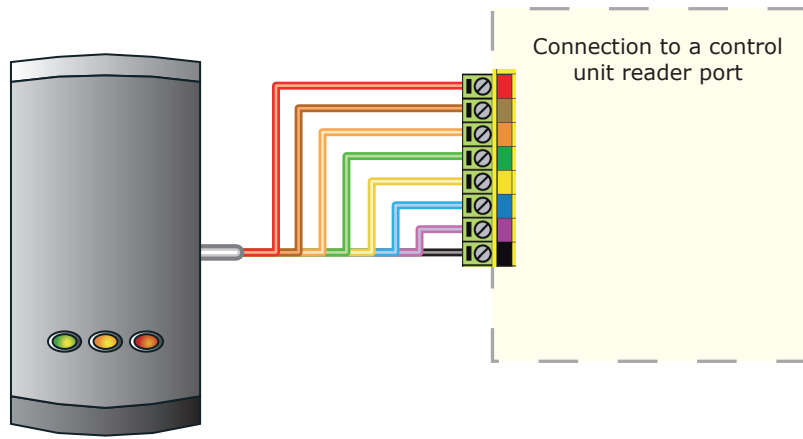
Fitting**Reader covers**

Additional covers are available in black, white, grey, blue and silver. Registered installers can order these free of charge by logging onto the secure installer extranet: <http://paxton.info/1035>. If you are not a registered installer please call us on: **01273 811011** for more information.

Cable extensions

Readers can be extended using Belden CR9540 10-core overall screened cable to a maximum of 100 metres.

Wiring



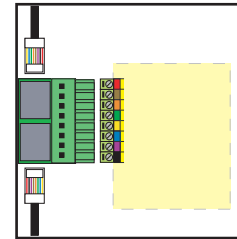
Connection modules



Reader junction box (325-020)

This module can be used to provide a connection point for the reader RJ45 plug. The terminals on the module are then wired colour for colour to the controller.

Alternatively, the reader can be wired directly into the screw terminals of the control unit by first cutting off the RJ45 plug and stripping back the wires in the cable.



Reader port module (325-030)

This module may be purchased separately to speed up the installation and replacement of readers.

The reader port module is designed to convert the standard reader ports on Switch2 and Net2 controllers to accept one or two RJ45 connections. Pull off the screw terminal block from the reader port and simply replace it with this module.

Further information on how to purchase Installer Tools is available at: <http://paxton.info/841>

Specifications

Environment	Min	Max	
Operating temperatures - all items	-35 °C	+66 °C	
Waterproof			Yes - Rated IPX7
Cable length			5 metres
Electrical	Min	Max	
Voltage	8V DC	14V DC	
Current		170 mA	
Carrier frequency			125 kHz
			13.56 MHz
Clock and data bit period	570 µs	700 µs	
Dimensions	Width	Height	Depth
	50 mm	100 mm	15 mm

Token type and read range

Mifare 1K	50 mm	Net2 keyfob	30 mm	EM4100 keyfob	50 mm
Mifare 4K	40 mm	Net2 token	80 mm	EM4100 card	60 mm
Mifare Ultralight / C	25 mm	Net2 watchprox	20 mm	EM4100 proxdisc	30 mm
Mifare Desfire	20 mm	Hitag2 ISO	70 mm	Hitag1 ISO	60 mm
		Hands Free Token	1100 mm		

This product is not suitable for retail sale. All warranties are invalid if this product is not installed by a competent person.

CE0889

The declaration of conformity is available on request. Contact details are provided at: <http://paxton.info/596>

Technical Support


 01273 811011


 support@paxton.co.uk


Technical help is available: Monday - Friday from 07:00 - 19:00 (GMT)
Saturday from 09:00 - 13:00 (GMT)

Documentation on all Paxton Access products can be found on our website - <http://www.paxton.co.uk/>

Suitability

Security-sensitive doors 

Mounted on metal surface 

Wet environments 

Readers mounted together **300mm**
between readers

Fitting



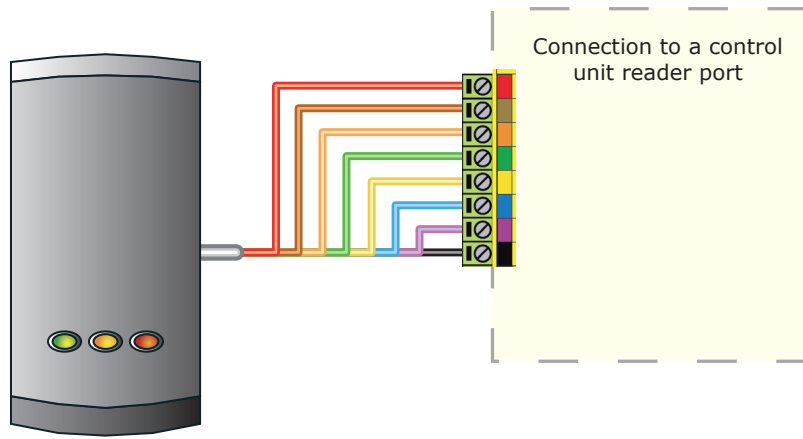
Reader covers

Additional covers are available in black, white, grey, blue and silver. Registered installers can order these free of charge by logging onto the secure installer extranet: <http://paxton.info/1035>. If you are not a registered installer please call us on: **01273 811011** for more information.

Cable extensions

Readers can be extended using Belden CR9540 10-core overall screened cable to a maximum of 100 metres.

Wiring



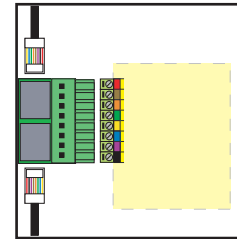
Connection modules



Reader junction box (325-020)

This module can be used to provide a connection point for the reader RJ45 plug. The terminals on the module are then wired colour for colour to the controller.

Alternatively, the reader can be wired directly into the screw terminals of the control unit by first cutting off the RJ45 plug and stripping back the wires in the cable.



Reader port module (325-030)

This module may be purchased separately to speed up the installation and replacement of readers.

The reader port module is designed to convert the standard reader ports on Switch2 and Net2 controllers to accept one or two RJ45 connections. Pull off the screw terminal block from the reader port and simply replace it with this module.

Further information on how to purchase Installer Tools is available at: <http://paxton.info/841>

Specifications

Environment	Min	Max	
Operating temperatures - all items	-35 °C	+66 °C	
Waterproof			Yes - Rated IPX7
Cable length			5 metres
Electrical	Min	Max	
Voltage	8V DC	14V DC	
Current		170 mA	
Carrier frequency			125 kHz
			13.56 MHz
Clock and data bit period	570 µs	700 µs	
Dimensions	Width	Height	Depth
	50 mm	100 mm	15 mm

Token type and read range

Mifare 1K	50 mm	Net2 keyfob	30 mm	EM4100 keyfob	50 mm
Mifare 4K	40 mm	Net2 token	80 mm	EM4100 card	60 mm
Mifare Ultralight / C	25 mm	Net2 watchprox	20 mm	EM4100 proxdisc	30 mm
Mifare Desfire	20 mm	Hitag2 ISO	70 mm	Hitag1 ISO	60 mm
		Hands Free Token	1100 mm		

This product is not suitable for retail sale. All warranties are invalid if this product is not installed by a competent person.

CE0889

The declaration of conformity is available on request. Contact details are provided at: <http://paxton.info/596>