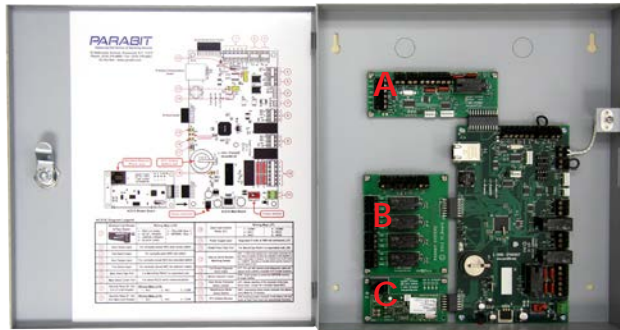




The Parabit ACS-1-E ATM Lobby Card Access Control System provides reliable Track 2 Magnetic Stripe access control to your ATM Lobby/Vestibule or Night Drop. The embedded Ethernet feature with the ACS Enterprise Software option provides

additional convenience in controlling thousands of installations from anywhere within your network.

The Parabit ACS-1-E ATM Lobby Card Access Control System also supports a 2nd Card Reader option as well as a 4 Port I/O Adapter or easy integration into any Alarm Panel, Video Recording System or any other piece of equipment with inputs/outputs.



## EACH KIT INCLUDES:

- ACS-1E Controller with IP Connectivity
- 40' of 6 conductor 24 ga. shielded Card Reader Cable
- Either Swipe card, Insert Card or *SkimGard™* Reader  
Note: *SkimGard™* Collars Not Included. See Other Side for Recommended Collars
- ACS-1E Controller Power Supply
- Instruction Decals

## OPTIONS

### A Part# 200-10103

2nd Card Reader Board (Entrance) w/1- Egress Input,  
1 - Door Contact Input and 1 - DPDT Form "C" Relay Output

### B Part# 200-10110

4 Port I/O Board - 4 - NO/NC Inputs supports the following options;  
Light Monitor, Motion Sensor (Man Trap), Magnetic Bond Sensor and REX Motion hardware and 4-SPDT Form "C" Relay Outputs (Supports Integration to Alarm, DVR, NVR, ATM & Door Assist Opener).

### C Part# 200-10137

V.34 / 36,600K Baud Modem

## FEATURES:

- Basic Parabit ACS-1E Controller supports Two (2) Entrance/*SkimGard™* Card Readers w/Embedded Ethernet
- MASTerMind Integrated Software Platform
- PCI Compliant Audit Trail of Card Data, all stored in Battery Backed EEPROM.
- Remote Boot Loader supports Remote Firmware Updates via Ethernet
- 2-Aux. SPDT Form "C" Outputs for Alarm, DVR, NVR, ATM & Door Assist Opener Integration
- Programmable (NO/NC) Egress, Fire and Door Supervision Inputs
- Controller Panel Door Open Detection Switch

## ACS-1E KITS:

**Part # 200-20040** (Includes *SkimGard™* Reader)\*

**Part # 200-20043** (Includes Surface Mount Swipe Reader with Piezo Buzzer & Tamper Switch)

**Part # 200-20044** (Includes Insert Reader)\*

\*Requires Tamper Collar ( See back for more details )

## TECHNICAL SPECS:

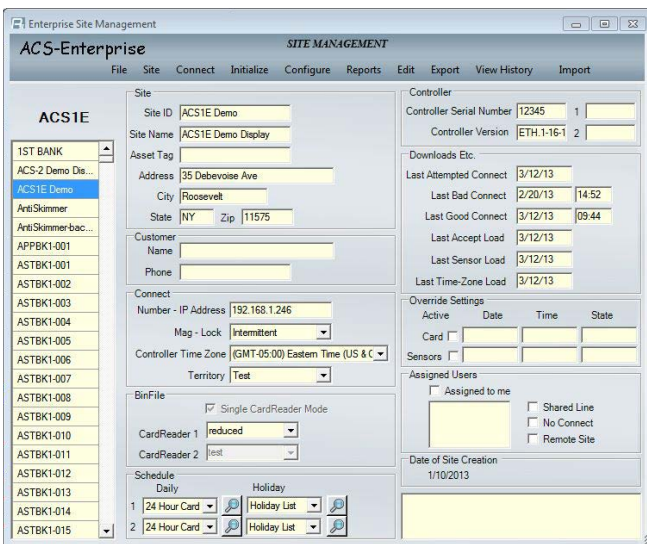
- Controller Box Dimensions: 11.3"W x 11.9"H x 2"D
- Power Supply: 120 VAC 60 HZ 22 W Class 2 plug in transformer
- 9VDC 1.5 Amp
- Operating Environment: Temperature -20 to +140 F
- Form "C" Output Relays:
  - Card Reader Output DPDT 250 V @ 5A tas
  - 2 - Aux. Outputs SPDT 250 V @ 10A
  - 4 - Outputs on Optional I/O Board 250 V @ 10A
- Inputs: Software Configurable Normally Open/Closed Dry Contact
- Shipping Weight: 17 lbs.
- 5,000-12 Digit BIN or Card Table per Entrance/Reader expandable to 15,000 entries per entrance w/ optional 512k EEPROM option
- Access Schedule w/ 6 state changes per day/week (Open/Card/Required Locked) for each Entrance/Reader w/30 programmable special days
- Battery Backed Real-Time Clock with DST Settings
- 12 VDC Piezo Buzzer Output support per Reader
- Battery Life Monitoring/ Low Notification
- 3 Selectable Track 2 Reader Operation Modes per Reader:
  - Any Magnetic Strip
  - Bank ISO Encoded ATM/Credit/Debit Card with NYCE BIN Exception Table Lookup
  - Card Number Look-up; between 4 - 21 digits in length (Night Drop or Limited FI Configuration)

## Optional Software:

### ACS ENTERPRISE SOFTWARE

- **Part # 200-50005**  
Enterprise Multi-User - Multi-Site Database Management/ Diagnostic Software
- **Part # 200-50006**  
Enterprise Single-User - Multi-Site Database Management/Diagnostic Software
- **Part # 200-50007**  
Enterprise Single User - Single-Site Database Management/Diagnostic Software

The ACS Enterprise software performs the function of remotely managing and programming the ACS-1E Control Panels. This software is based on Microsoft SQL and communicates over TCP/IP requires a fixed IP address via port 2000, dial up modem or wireless. Detailed log of activities are stored within the data base for long term retrieval.



**ACS-1E INSERT READER**

**Part # 200-10143**

**FEATURES:**

- Flush Mount Design
- Interior or Exterior Use
- Anodized Aluminum Bezel, Stainless Steel Casing
- Weather Resistant Design



**SWIPE READER SURFACE MOUNT SWIPE W/ PIEZO BUZZER & TAMPER SWITCH**

**Part # 200-10142**

**FEATURES:**

- Surface Mount Design
- Interior or Exterior Use
- Brushed Stainless Steel Cover
- Weather Resistant Design



**SkimGard™ INSERT READER**

**Part # 200-10092**

**FEATURES:**

- Flush Mount Design
- Stainless Steel Casing
- Weather Resistant Design
- Black Anodized, Aluminum Bezel



**SkimGard™ MMR CONTACTLESS EMV/NFC/MAG STRIPE**

**FEATURES:**

- Flush Mount Design
- Stainless Steel Casing
- Weather Resistant Design
- Black Anodized, Aluminum Bezel

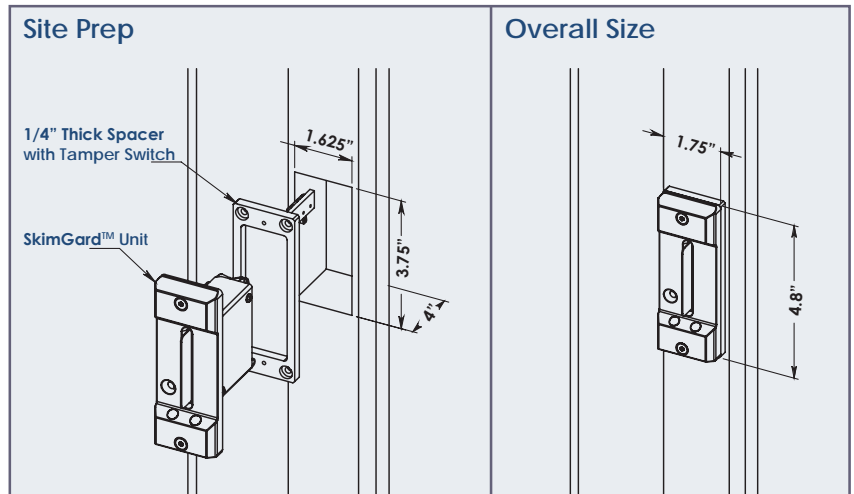


**\* Tamper Collar Required for SkimGard™ and Insert Readers**

	<p><b>Part # 100-00117</b></p> <ul style="list-style-type: none"> <li>• 1/4" <i>SkimGard™</i> Reader Spacer Plate with Tamper Switch</li> <li>• 4-13/16"H x 1.75" W x 1/4" D</li> <li>• Finish: Clear</li> </ul>	<p>Use for lowest profile Mullion installation</p>
	<p><b>Part # 100-00116</b></p> <ul style="list-style-type: none"> <li>• 2" <i>SkimGard™</i> Reader Collar with Tamper Switch</li> <li>• 6"H x 1.75" W x 2" D</li> <li>• Finish: Clear</li> </ul>	<p>Use for low profile Mullion installation</p>
	<p><b>Part # 100-00118</b></p> <ul style="list-style-type: none"> <li>• Single Collar Side Mount Unit - 3" D</li> <li>• <i>SkimGard™</i> Reader Collar w/ Side Mount Bracket with Tamper Switch</li> <li>• 5-7/8" H x 1.75" W x 3" D</li> <li>• Finish: Clear</li> </ul>	<p>Use for medium profile Mullion installation</p>
	<p><b>Part # 100-00103</b></p> <ul style="list-style-type: none"> <li>• 3" <i>SkimGard™</i> Reader Dual Collar w/ KeySwitch and Tamper Switch</li> <li>• 10.75" H x 1.75" W x 3" D</li> <li>• Finish: Clear</li> </ul>	<p>Use for medium profile Mullion installation</p>
	<p><b>Part # 100-00137</b></p> <ul style="list-style-type: none"> <li>• Flush Mount <i>SkimGard™</i> Reader Flanged Collar w/Tamper Switch</li> <li>• 4"h x 5"w x 3"d</li> <li>• Finish: Clear</li> </ul>	<p>Use for Flush Wall Installation</p>
	<p><b>Part # 101-00014</b></p> <ul style="list-style-type: none"> <li>• Aluminum Cable Raceway</li> <li>• 2" x 6"</li> <li>• 3' increments</li> </ul>	<p>Use to relocate <i>SkimGard™</i> Reader to the edge of storefront</p>



Sample Install



We also fabricate custom cover plates and enclosures for a variety of applications, including thru-the-glass and key override enclosures. View Our Catalog for More Information.