



Super Dynamic III Weather Resistant Fixed Camera with Day/Night and 8x Varifocal lens

Key Features

- **Super Dynamic III** technology delivers 128x (NTSC) / 160x (PAL) wider dynamic range compared to conventional cameras.
- High resolution: 540 TV lines typical / 520 TV lines minimum (Color HIGH mode), 480 TV lines (Color NORMAL mode), 570 TV lines (B/W mode)
- High sensitivity with Day/Night function: 0.65 lux (Color), 0.09 lux (B/W) at F1.6 (Wide). IR cut filter switches on/off to enhance the sensitivity in B/W mode.
- Signal-to-Noise Ratio: 50 dB (equivalent to AGC Off, Weight On)
- ABF (Auto Back Focus) ensures easy installation and stable focus in both color and B/W modes.
- Electronic sensitivity enhancement: Auto (Up to 10x) / Manual (Up to 32x)
- Electronic shutter from 1/100 (NTSC), 1/120 (PAL) to 1/10,000 sec.
- VMD (Video Motion Detector) with Mask 8 x 6 areas
- 5.0 ~ 40 mm, 8x Varifocal Auto Iris lens with 2x digital zoom
- Monitor output for easier view angle adjustment upon installation
- Auto Image Stabilizer for applications where vibration or wind is a concern.
- Over the coaxial cable data communication
- Internal/Line-lock/Multiplexed Vertical Drive (VD2) synchronization
- 16 alphanumeric camera title display

- Multi language: English, French, Italian, Spanish, German, Russian, Chinese, Japanese
- Strong visibility with flashing blue LED is an effective deterrent.
- IP66 rated water and dust resistant. Compatible with IEC60529 measurement standard.
- Built-in fan, heater and sun shield maintains operating temperature $-30^{\circ}\text{C} \sim +50^{\circ}\text{C}$ ($-22^{\circ}\text{F} \sim 122^{\circ}\text{F}$).
- Smart looking mounting bracket encloses the video and power cables properly.

Standard Accessories

• Operating Instructions.....	1 pc.	• Adapter box mounting screw (M4 x 35).....	1 pc.
The followings are for installation.			
• Camera mount bracket	1 pc.	• Mounting screws for adapter box/camera mount bracket (M5 x 20) (incl. 1 spare screw)	5 pcs.
• Mount bracket cover.....	2 pcs.	• Sunshield mounting screws (M3 x 6) (incl. 1 spare screw)	5 pcs.
• Sun shield	1 pc.	• Mounting screws for tripod socket (M3 x 8)	4 pcs.
• Tripod socket	1 pc.	• Desiccant	1 pc.
• Adapter box	1 pc.	• Waterproof tape	1 pc.
• Camera fixing screws (M4 x 8) (incl. 1 spare screw)	4 pcs.		
• Mount bracket cover screws (M3 x 6) (incl. 1 spare screw)	3 pcs.		

Specifications

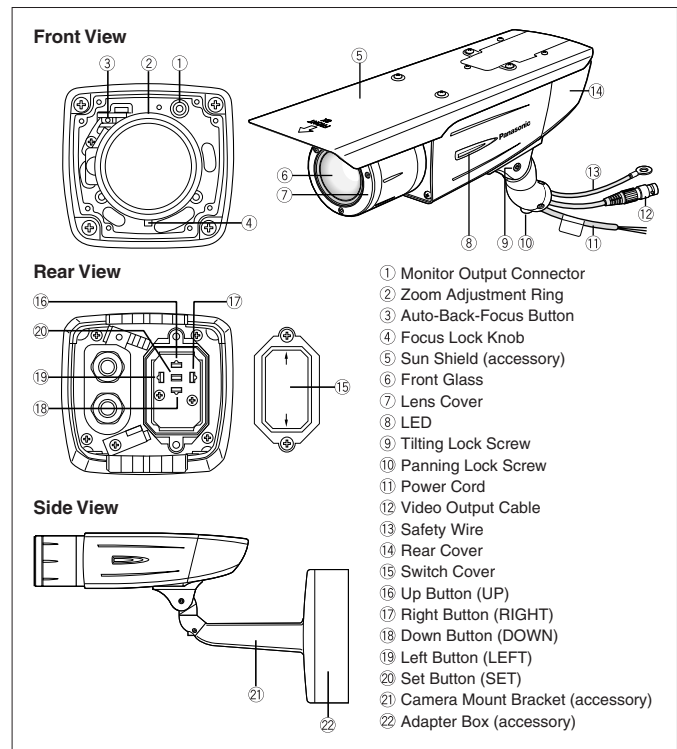
TV System	NTSC	PAL
Camera	1/3 inch interline transfer CCD	
Effective Pixels	768 (H) x 494 (V)	752 (H) x 582 (V)
Scanning Mode	2:1 interlace scan	
Scanning Area	4.8 (H) x 3.6 (V) mm	
Scanning Frequency	Horizontal: 15.734 kHz Vertical: 59.94 Hz	Horizontal: 15.625 kHz Vertical: 50 Hz
Scanning Line	525 lines	
Horizontal Resolution	540 TV lines typical at color high mode, 480 TV lines at color normal mode, 570 TV lines at B/W mode	
Minimum Illumination	Color (30 IRE): 0.65 lux (Sens UP: OFF), 0.065 lux* (SENS UP: 10x) at F1.6 Wide B/W (10 IRE): 0.09 lux (Sens UP: OFF), 0.009 lux* (SENS UP: 10x) at F1.6 Wide	
Signal-to-Noise Ratio	50 dB (AGC Off, Weight On)	
White Balance	AWC (2,000 ~ 10,000 K), ATW1 (2,700 ~ 6,000 K), ATW2 (2,000 ~ 6,000 K)	
Light Control	ALC	
AGC	ON (HIGH/MID/LOW) or OFF	
Super Dynamic III	ON or OFF (with BLC masking 8 x 6 areas)	
Dynamic Range	52 dB typical (Super Dynamic III ON)	54 dB typical (Super Dynamic III ON)
Electronic Shutter	OFF (1/60), 1/100, 1/250, 1/500, 1/1,000, 1/2,000, 1/4,000, 1/10,000 s	OFF (1/50), 1/120, 1/250, 1/500, 1/1,000, 1/2,000, 1/4,000, 1/10,000 s
Electronic Sensitivity UP	OFF / AUTO (2x, 4x, 6x, 10x) / FIX (2x, 4x, 6x, 10x, 16x, 32x)	
Digital Noise Reduction	High / Low	
Resolution Mode	Normal / High	
Black and White Mode	Mode: AUTO1 / AUTO2 / ON / OFF, Level: High / Low	
Digital Zoom	2x	
Video Motion Detection	OFF / Mode1 (VMD) / Mode2 (Scene change), Mask 8 x 6 areas	
Scene Change Detection	Yes, Included in VMD Mode2	
Privacy Zone	ON (Gray/Mosaic) or OFF	
Auto Image Stabilizer	ON or OFF	
Camera Title	Up to 16 characters	
Lens Mount	CS-mount	
Back Focus Adjustment	ABF, MANUAL, AUTO / PRESET / FIX	
Synchronization	Internal (INT), Multiplexed Vertical Drive (VD2), Line-Lock (LL)	
Lens	Focal Length: 5.0 ~ 40.0 mm, 8x varifocal	
Angular Field of View	H : 6.6° (Tele) ~ 52° (Wide) V : 5° (Tele) ~ 39.6° (Wide)	
Maximum Aperture Ratio	1:1.6 (Wide) 1:1.9 (Tele)	
Focusing Range	1.2 m ~ ∞ (3.9 ft. ~ ∞)	
Horizontal	±100° (Camera mount bracket)	
Vertical	+30°, -90° (Camera mount bracket)	
Input/Output	Video Output: 1.0 V [p-p] / NTSC composite 75 Ω / BNC Connector Multiplexed VD2 and control data capable	
Monitor Output	1.0 V [p-p] / NTSC composite 75 Ω / ø3.5 mm mini jack	
General	Setup Method: OSD setup menu	
Language	English, Russian (For setup menu and camera title), German, French, Italian, Spanish (For setup menu), Chinese, Japanese (Only for camera title. Setup menu will be English.)	
Safety/EMC Standard	UL (UL60065), FCC (Part15 ClassA), C-UL (CAN/CSA C22.2 No.60065), DOC (ICES003 ClassA)	CE (EN60065, EN55022 ClassB, EN55024), GOST (GOST R 51558)
Power Source and Power Consumption	24 V AC 60 Hz, 18 W**, 12 V DC 540 mA***	WV-CW380: 220 ~ 240 V AC 50 Hz, 14 W** WV-CW384: 24 V AC 50 Hz, 18 W**, 12 V DC 560 mA***
Ambient Operating Temperature	-10 °C ~ +50 °C (14 °F ~ 122 °F), -30 °C ~ +50 °C (-22 °F ~ 122 °F)**	
Ambient Operating Humidity	90 % or less (without condensation)	
Water and Dust Resistance	IP66, Compatible with IEC60529 measurement standard	
Dimensions	78 mm (H) x 82 mm (W) x 301 mm (L) (3-1/16"(H) x 3-1/4"(W) x 11-7/8"(L)) (without bracket and sun shield)	
Weight (approx.)	1.5 kg (3.3 lbs.) (without bracket)	

* Estimated figure

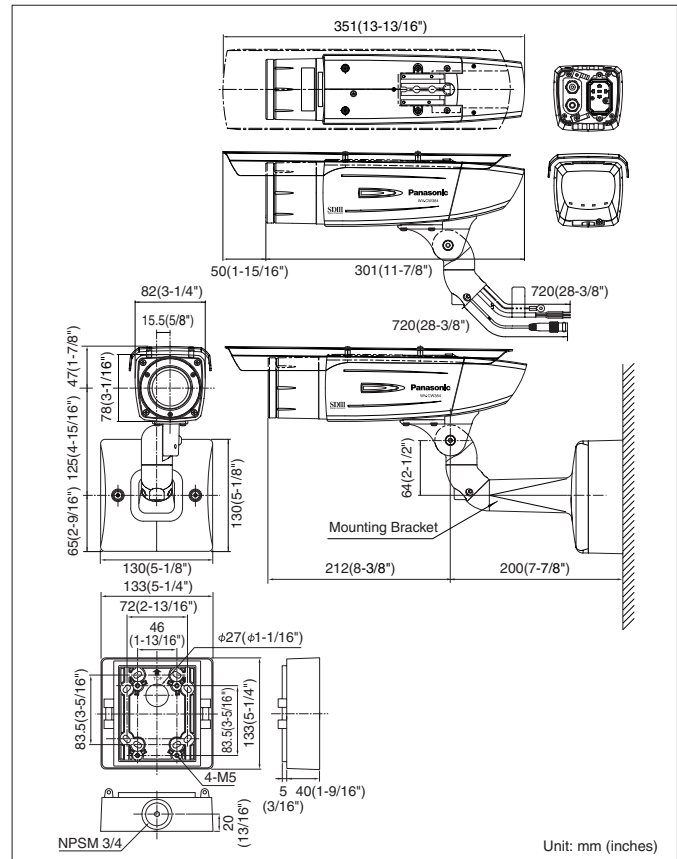
** With Heater

*** Heater cannot be operated under 12 V DC operation

Part Names and Functions



Appearance



Trademarks and registered trademarks

– "Super Dynamic", "SDII", "SDIII" and "i-Pro" logos are trademarks or registered trademarks of Panasonic Corporation.

Important

– Safety Precaution: carefully read the operating instructions and installation manual before using this product.

- All TV pictures are simulated.
- Weights and dimensions are approximate.
- Specifications are subject to change without notice.
- These products may be subject to export control regulations.
- All product pictures are NTSC models.

DISTRIBUTED BY:

Panasonic[®]

<http://panasonic.net/security/>

Printed in Japan (2A-033AA)