

Vandal Resistant Fixed Dome Camera WV-CW334/CW364

NTSC WV-CW334S (24 V AC or 12 V DC) PAL WV-CW334S (24 V AC or 12 V DC)
WV-CW364S (24 V AC or 12 V DC) WV-CW364S (24 V AC or 12 V DC)



WV-CW364



WV-CW334



Minimum illumination (Color):
0.6 lx



Minimum illumination (B/W):
0.05 lx (WV-CW364)

Automatic switching
Color/Black&White



Vandal Resistant IP66 Day/Night Fixed Dome Camera with 1/3 type CCD

Key Features

- High resolution: 540 TV lines
- High sensitivity with True Day/Night function (WV-CW364)
 - : 0.6 lx (Color)
 - : 0.05 lx (B/W)
- High sensitivity with Simple Day/Night function (WV-CW334)
 - : 0.6 lx (Color)
 - : 0.4 lx (B/W)
- ABS (Adaptive Black Stretch) enhances visibility of dark area without degrading image quality in bright area.
- Vandal resistant mechanism for high reliability
- IP66 rated water and dust resistant. Compatible with IEC60529 measurement standard.
- Various adjustment features including BLC (Back Light Compensation), ATW (Auto Tracing White Balance) and ALC (Automatic Light Control)
- 2 White Balance modes are selectable with Dip Switch: ATW (Auto Tracing White Balance) / AWC (Automatic White Balance Control)
- 2.8 ~ 10 mm 3.6x Varifocal Auto Iris lens
- Internal/Multiplexed Vertical Drive (VD2) synchronization
- Monitor output for easier lens adjustment upon installation
- 3-way hinge (horizontal, vertical and swivel rotation) for easy installation

- Various mounting options: Flush mount, Surface mount and Embedded ceiling mount
- Optional heater maintains operating temperature -30 °C ~ +50 °C (-22 °F ~ 122 °F)

Standard Accessories

- | | |
|--|--|
| • Operating Instructions 1 pc. | • Fixing Screws for Mounting Base (incl. 1 spare screw) 5 pcs. |
| The following parts are used during installation procedures. | |
| • Camera Attachment 1 pc. | • Bit for Tamperproof Screw 1 pc. |
| • Base Cover 1 pc. | • Butyl Tape 1 pc. |
| • Mounting Base 1 pc. | |

Optional Accessories



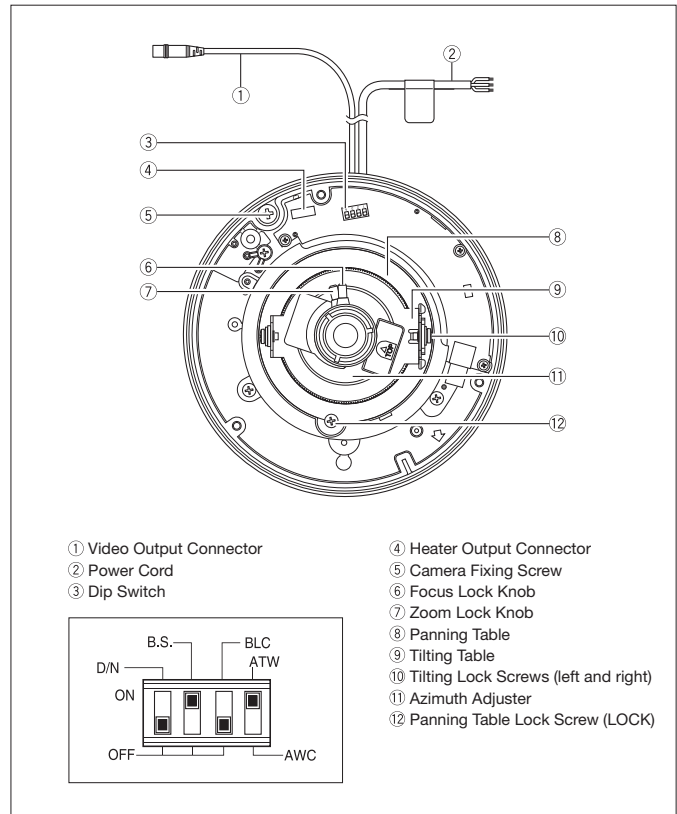
Specifications

| TV System | NTSC | PAL |
|------------------------------------|---|--|
| Camera | 1/3 type interline transfer CCD | |
| Effective Pixels | 768 (H) x 494 (V) | 752 (H) x 582 (V) |
| Scanning Mode | 2:1 interlace scan | |
| Scanning Area | 4.9 mm (H) x 3.7 mm (V) | |
| Scanning Frequency | Horizontal: 15.734 kHz Vertical: 59.94 Hz | Horizontal: 15.625 kHz Vertical: 50 Hz |
| Scanning Line | 525 lines | |
| Horizontal Resolution | 540 TV lines (at center) | |
| Minimum Illumination | WV-CW364S: Color: 0.6 lx, B/W: 0.05 lx, F1.3 Wide WV-CW334S: Color: 0.6 lx, B/W: 0.4 lx, F1.3 Wide | |
| Signal-to-Noise Ratio | 50 dB (equivalent to AGC Off, Weight on) | |
| White Balance | ATW / AWC | |
| Back Light Compensation | ON / OFF | |
| Adaptive Black Stretch | ON / OFF | |
| Black and White Mode | WV-CW364S: ON (AUTO) / OFF (IR filter moving) WV-CW334S: ON (AUTO) / OFF (No IR filter moving) | |
| Focus Adjustment | Manual | |
| Synchronization | Internal (INT), Multiplexed Vertical Drive (VD2) | |
| Lens | Focal Length 2.8 mm ~ 10.0 mm, 3.6x varifocal | |
| Angular Field of View | WV-CW364S: H: 100.5° (Wide) ~ 27.39° (Tele) V: 73.51° (Wide) ~ 20.45° (Tele) WV-CW334S: H: 100.18° (Wide) ~ 27.39° (Tele) V: 73.33° (Wide) ~ 20.45° (Tele) | |
| Maximum Aperture Ratio | 1:1.3 (Wide) ~ 1:3.1 (Tele) | |
| Focusing Range | 1.2 m (3.9 ft.) ~ ∞ | |
| Pan and Tilt | Panning Range +180° ~ -140° | |
| Tilting Range | ±75° | |
| Input/Output | Video Output 1.0 V [p-p] / 75 Ω, NTSC composite, BNC connector | 1.0 V [p-p] / 75 Ω, PAL composite, BNC connector |
| Monitor Output | 1.0 V [p-p] / 75 Ω / NTSC composite signal / ø3.5 mm RCA jack | 1.0 V [p-p] / 75 Ω / PAL composite signal / ø3.5 mm RCA jack |
| General | Safety/EMC Standard UL (UL60065), FCC (Part15, ClassA) C-UL (CAN/CSA C22.2 No.60065), DOC (ICES003 ClassA) | CE (EN60065, EN55022 ClassB, EN55024), GOST (R 51558) |
| Power Source and Power Consumption | 24 V AC 60 Hz, 2.9 W, 13.1 W *1 12 V DC, 250 mA *2 | 24 V AC 50 Hz, 2.9 W, 13.1 W *1 12 V DC, 250 mA *2 |
| Ambient Operating Temperature | -10 °C ~ +50 °C (14°F to 122°F) -30 °C ~ +50 °C (-22°F to 122°F) *1 | |
| Ambient Operating Humidity | 90 % or less (without condensation) | |
| Water and Dust Resistance | IP66, IEC60529 measuring standard compatible *Applicable only when the installation and waterproof process are done properly. | |
| Impact Protection | IEC 60068-2-75 test Eh, 50J | |
| Dimensions | ø164 mm x 146 mm (H), 191.5 mm (Base Cover) (ø6-7/16" x 5-3/4" (H) x 7-9/16" (W))(Base Cover) | |
| Weight (approx.) | Main Body: 1.05 kg (2.31 lbs), including camera attachment 100 g (0.22 lbs), Mounting Base: 350 g (0.78 lbs), Ceiling Mount Bracket: 700 g (1.55 lbs) | |

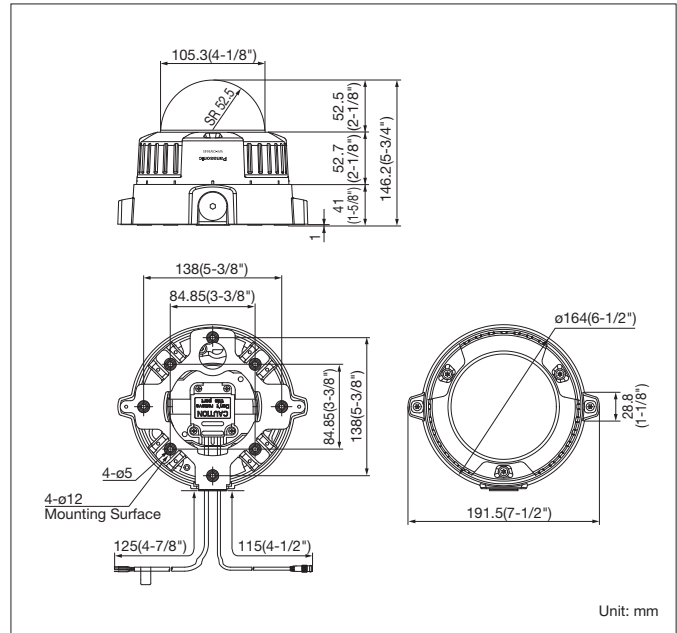
*1 With optional Heater Unit WV-CW5H

*2 Optional Heater Unit WV-CW5H cannot be used under 12 V DC operation.

Part Names and Functions



Appearance



Important

– Safety Precaution: carefully read the operating instructions and installation manual before using this product.

DISTRIBUTED BY:

- All TV pictures are simulated.
- Masses and dimensions are approximate.
- Specifications are subject to change without notice.
- These products may be subject to export control regulations.
- All product pictures are PAL models.

Panasonic®

<http://panasonic.net/security/>

Printed in Japan (2A-071L)