



Easy and smooth integration from analog to IP system

Key Features: WV-ASC970

- Flexible camera system: Analog, IP, and Hybrid analog/IP
- Up to 64 recorders, 64 decoders, and 2,048 cameras (in case with encoder) can be registered.
- Displays live images by selecting the camera number
- Controls camera and camera preset, and Group Preset
- Displays live Tour Sequence images on a multi-screen segment display
- Displays live Group Sequence images on several multi-screen segment displays
- Controls the camera selected by setting the users' priority in advance
- Selects the monitor selected by setting the users' priority in advance
- ON/OFF mode of the OSD on the selected monitor is possible.
- Sequence control: Tour Sequence (128 programs, 64 steps), Group Preset (128 programs, 64 views), Group Sequence (128 programs, 64 steps)
- Panasonic camera control: Pan/Tilt, Zoom, Focus, Brightness, Preset position call and program (up to 256), Auto mode (SEQ, SORT, AUTO PAN, PATROL), AUX 1 ~ 2
- Controls wall monitors (Partially limited)
- Up to 512 users can be registered.
- Up to 64 users can login to WV-ASC970 simultaneously.
- Panasonic Alarm control by recorder, camera, and encoder
- Up to 1,024 alarms can be made.
- User management: User authentication
- Camera/Sequence/Monitor selection, Camera control and Recorder control can be made with the optional system controller WV-CU950.
- Individual alarm reset and all alarm reset is possible with the system controller WV-CU950 and WV-ASM970.

Key Features: WV-ASM970

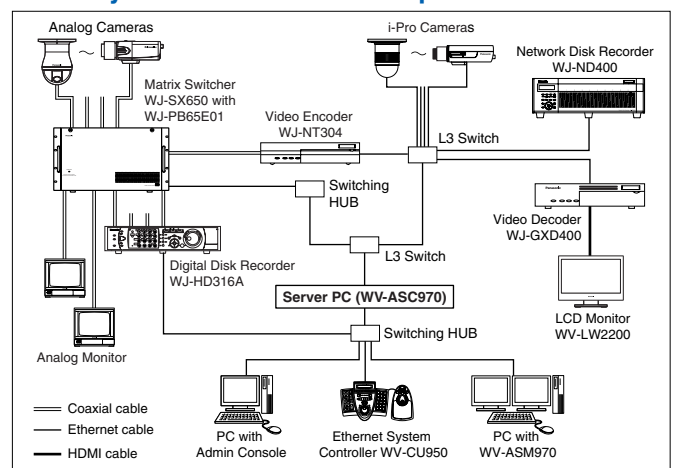
- Multi-Monitor option enables simultaneous use of Operation screen and Monitor screen (1 / 4 / 7 / 9 / 10 / 13 / 16 split) on a dedicated monitor. Two monitor operation is also available.
- Up to 30 ips/camera can be displayed in 16 split-screen in MPEG-4 2 Mbps mode (depending on the camera, camera setup and PC performance).
- Up to 30 ips/camera can be displayed in 16 split-screen in H.264 1.5 Mbps mode with VGA (depending on the camera, camera setup and PC performance).

- Image resolution dynamically changes depending on the screen mode: VGA for Quad screen, QVGA for 16 split-screen, enabling optimum network usage (depending on the camera mode).
- When an alarm occurs, the monitor changes into the map automatically showing where the alarm happened.
- Up to 64 camera icons can be freely positioned on a map with alarm status indicated by the color of the icons.
- Please install WV-ASM970 on your server and download to each client PC via browser.

System Components



Basic System Connection Example



Specifications: WV-ASC970

Supported Equipment	Supported Cameras	Panasonic Analog cameras, Panasonic i-Pro series Network cameras except WV-NM100, WV-NP472, WV-NS320 series, WV-NW470S series
	Supported Recorders	WJ-ND400 series, WJ-ND300 series, WJ-ND200 series, WJ-HD300 series, WJ-HD300A series, WJ-RT416 series, WJ-HD716 series
	Supported Switchers	WJ-SX850, WJ-SX650EX
	Supported Encoders	WJ-NT304, WJ-NT314, WJ-GXE900 (MPEG-2 Encoder)*1
	Supported Decoders	WJ-GXD400, WJ-GXD900 (MPEG-2 Decoder)*1
	Supported Controller	WV-CU950, WV-ASM970
	Max. Recorder Registrations	64
	Max. Monitor Registrations	512
	Max. Camera Registrations	2,048 (In case with encoder), Analog and/or IP camera*2
	Supported System Type	Multicast/Unicast system
	Function	Camera Control (depends on the camera)
Recorder Control (depends on the recorder)		REC (only Digital Disk Recorder), Playback
Sequence Control		Tour Sequence: 128 programs, 64 steps Group Preset: 128 programs, 64 views Group Sequence: 128 programs, 64 steps
Camera Title Display		On the WJ-GXD400 and Analog Monitor
Alarm Source		Panasonic alarm protocol by Recorder, Camera, Encoder, RS-232C I/O
Alarm Control		Reset, Auto reset, Arm, Disarm, Ack, Auto ack, All reset
Alarm Display Mode		Sequence, Hold
Alarm Action		Camera spot, Tour sequence, Group sequence
Max. Number of Alarm		1,024
System Log		Operation, Alarm, Switching, Video loss
User Management		Registration: Up to 512 users, ID: 5 digit, PW: 5 digit, User level: customize
Simultaneous Login Users		Up to 64 (depends on network conditions)
Partitioning		Operator - Controller, Controller - Monitor, Controller - Camera, Camera - Monitor
Security Method		User authentication, Controller authentication (MAC address)
Time Synchronization		NTP (Server/Client)
GUI (Admin) Language	English	
Server Requirement	Supported OS	Red Hat Enterprise Linux 5.3 server (x86)(English)
	Required PC	CPU: Intel® Xeon® Processor 5140 (2.33 GHz) or faster, RAM: 2 GB or more, Network: 2x 100/Gigabit or more, HDD: 80 GB or more free drive space, CD-ROM, Port: 1x RS-232C
Admin Console PC Requirement	Supported OS	Microsoft® Windows® XP Professional SP3 (English and Chinese Version) Microsoft® Windows Vista® Business 32-bit SP2 (English and Chinese Version) Microsoft® Windows® 7 Professional 32-bit (English and Chinese Version)
	Required PC	CPU: Intel® Pentium® 4 processor 3.0 GHz or faster RAM: 512 MB or more Network: 10/100 Mbps HDD: 200 MB or more free drive space Monitor: 32-bit colors, 1,024 x 720 resolution
Network	Protocol	HTTP (IP address and port No.), FTP

*1 NTSC only *2 Depends on system configuration

Specifications: WV-ASM970

Supported Equipment	Supported Server	WV-ASC970*1
	Supported System Type	Multicast/Unicast system
GUI Function	Camera Control (depends on the camera)	Pan/Tilt, Zoom, Focus, Brightness, Preset position call (up to 256), Auto Pan, AUX1-2
	Recorder Control (depends on the recorder)	REC (only Digital Disk Recorder), Play, Rev Play, Pause, Stop, FF, REW, Prev Image, Next Image, Goto Last, Goto Date
	Wall Monitor Control	Display division pattern switch, Camera select switch, Tour sequence, Group preset, Group sequence, Monitor lock
	Event Search	Target: Recorder (Camera) Search criteria: Time date, Event type
	Multiscreen Mode	Spot / Quad (A-D) / 7 split / 9 split / 10 split / 13 split / 16 split
	Display Performance	30 ips x 16 screens at MPEG-4 2 Mbps*3 30 ips x 16 screens at H.264 1.5 Mbps with VGA*3
	Multi-Monitor	2 Monitors (Operation/Monitor)
	Number of Maps	Up to 100 maps (JPEG or Bitmap), Link: 64 cameras/map
	Image Download	Recorded images of up to 64 (in case with WJ-ND400) can be downloaded. Manual download only. Viewer software can be extracted from the main software.
	Clock Display	On the GUI, Time: 12H/24H, Date: 5 formats
	Alarm Control	Reset, All reset, Arm, Disarm, Ack, Auto ack
System Setup	Setup page in English, Chinese	
GUI Language	English, Chinese	
PC Requirement	Supported OS	Microsoft® Windows® 7 Professional (32-bit) (English and Chinese Version) Microsoft® Windows® 7 Professional (64-bit)*2 (English and Chinese Version) Microsoft® Windows Vista® Business SP2 (32-bit) (English and Chinese Version) Microsoft® Windows Vista® Business SP2 (64-bit)*2 (English and Chinese Version) Microsoft® Windows® XP Professional SP3 (32-bit) (English and Chinese Version)
	Supported Browser	Microsoft® Internet Explorer® 6.0 Service Pack 3 Microsoft® Internet Explorer® 7.0 Service Pack 1 Microsoft® Internet Explorer® 8.0
	Required PC	CPU: Intel® Core™ 2 Duo 2.66 GHz or faster / Intel® Core™ 2 Quad Q9650 or faster / Intel® Core™ i7-920 or faster, Memory: 2 GB or more / 3 GB or more (When operating H.264 images), VRAM: 128 MB or more, compatible with DirectX® 9.0c
Network	Protocol	HTTP (IP address and port No.), FTP
Viewer Software	Playback Control	Play, Rev Play, Pause, FF, REW, Prev Record, Next Record, Prev Image, Next Image
	Additional Functions	Alteration detection, Save as JPEG, Two times zoom, Print

*1 WV-ASC970 Version 2.0 or later *2 Operation in WOW64 (32-bit mode)

*3 In case with Microsoft® Windows® 7 Professional (OS) and Intel® Core™ i7-920 (CPU)

Flexible Alarm Action

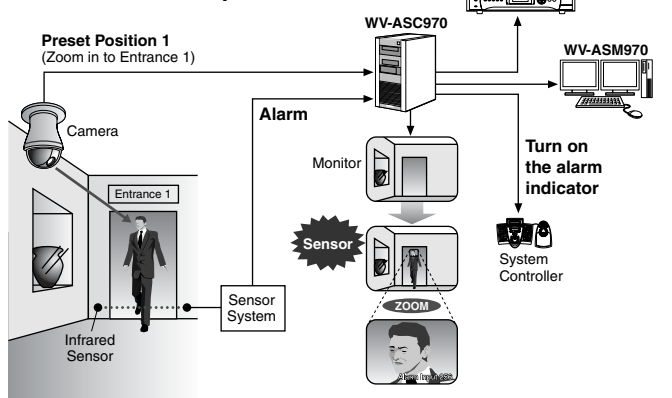
Flexible alarm actions can be assigned for each alarm.
Up to 1,024 alarms can be registered.

Alarm actions include:

- Display alarm information on the designated monitor
- Display alarm images from the camera or start the sequence display on the designated monitor
- Turn on the alarm indicator on all the system controllers and WV-ASM970

* The WV-ASC970 does not support any error notifications (such as "REMOVE") from digital disk recorders or network disk recorders.

Alarm action example



Trademarks and registered trademarks

- "Red Hat" is a trademark of Red Hat in the U.S. and other countries.
- Intel, Xeon and Pentium are registered trademarks of Intel Corporation.
- "Super Dynamic", "SDII", "SDIII" and "i-Pro" logos are trademarks or registered trademarks of Panasonic Corporation.

Important

- Safety Precaution: carefully read the operating instructions and installation manual before using this product.
- Panasonic can not be responsible for network performance and/or other manufacturer products that reside on the network.

- All TV pictures are simulated.
- Weights and dimensions are approximate.
- Specifications are subject to change without notice.
- These products may be subject to export control regulations.
- All product pictures are NTSC models.

DISTRIBUTED BY:

Panasonic®

<http://panasonic.net/security/>

Printed in Japan (2A-052DL)