

Oneprox™ Designer Mullion Reader

The Designer Mullion is ideally suited to locations that require a reader with a small footprint that can mount on either a door frame (mullion) or any flat surface. The interchangeable cover design fits any decor and creates a lasting impression in any working environment, and guaranteed quick and dependable read times keep traffic moving through secure areas.

PAC's Oneprox reader range offers a single access solution for reading both PAC (153KHz) and KeyPAC (125 KHz) proximity technologies, providing a versatile access control solution.



Key Features:

- Up to 90mm (3.5 in.) reading range
- Reads KeyPAC (125KHz) and PAC (153KHz) technologies
- Fast and dependable read times
- Four interchangeable coloured covers included (Black, Grey, White and Blue)
- DDA and ADA compliant audiovisual indication making secure areas equally accessible to disabled users
- Five programmable output formats
- Easy installation with industry standard, low cost 6-core alarm cable
- Compatible with iPAC Easikey, Easikey 1000, PAC 2200 series, PAC 202 and PAC 512 door controllers
- Sealed in a rugged weatherised polycarbonate enclosure to withstand harsh environment
- Lifetime guarantee against electronic failure

The Designer Mullion together with PAC access control systems help buildings meet the requirements of legislation with the Disabilities Act. Together they help make secure areas equally accessible to persons with disabilities, including the ability to grant users additional door entry time, when needed. In addition, when the reader senses the presentation of a valid credential, a high visibility green expanding and contracting light effect combines with an audible sounder indicating that access has been granted.

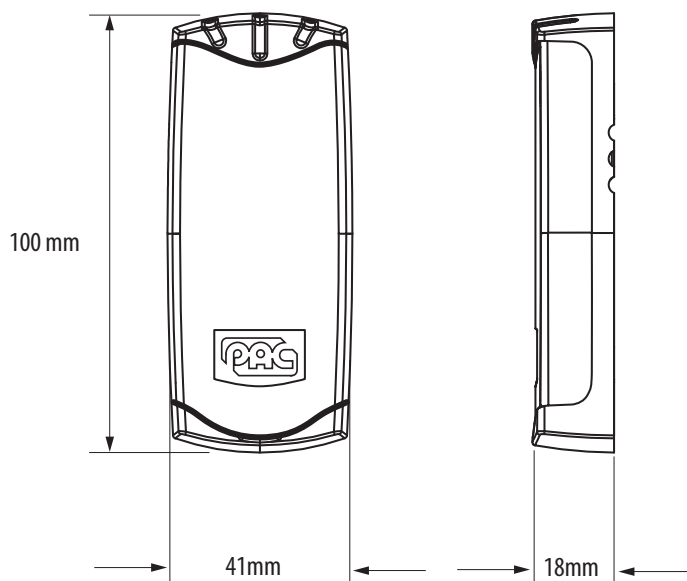
The reader is constructed of rugged polycarbonate plastic and potted using flame-retardant resin allowing complete freedom of use - both indoors and out. Like all our proximity readers it's manufactured to the highest quality standards in our ISO 9001 certified facility and offers exceptional reliability together with a lifetime guarantee against electronic failure.



Features & Specification

Description	Mullion-style proximity reader
ID Technology	PAC Oneprox (works with PAC and KeyPAC)
Dimensions	H: 100mm (3.9") W: 41mm (1.6") D: 18mm (0.7")
Programmable Output Formats	Standard PAC (default), Wiegand 26-bit, Wiegand 34-bit, ABA track 2, or barcode.
Weight	73.5g nominal
Maximum Read Range	Up to 90mm (3.5 in.)
Environment	IP66 - Indoor / Outdoor weather resistant
Maximum Current Requirements	< 100mA
Recommended Cable Type	6-core 24AWG alarm cable
Operating Temperature	-20° to +60° C
Operating Humidity	0 to 85% relative humidity non-condensing
Audiovisual Indication	Bi-colour LED (red-green) and audible sounder
Tamper Output	Yes (dependant on controller specification)
Interchangeable Colour Covers	Black, White, Blue and Grey (all included)
Material	Polycarbonate with ABS i/changeable coloured covers
Certifications	CE Mark, Fifteen EU Countries under the R&TTE Directive (EN60950 - ITE Electrical Safety, ETS EN 300 330 - SRD, and ETS EN 301 489 - EMC)

Oneprox™ Designer Mullion Reader



Ordering Information

Part Number	Description
20067	Oneprox Designer Mullion Reader

ACCESSORIES

21020 PAC Token

- Black with PAC logo clip



20204 PAC Token

- Black without PAC logo clip

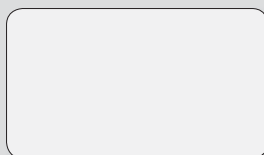
A range of coloured clips available



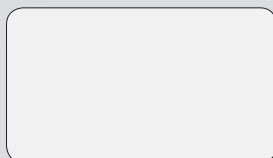
20250 KeyPAC Token



21039 PAC ISO Proximity Card x 10



21030 KeyPAC ISO Proximity Card



21087 Stanley Tokens

Black



21082



21084 Yellow



21086 Purple



21085 Orange



21083 Blue



21081 Red



STANLEY Security Products

PAC Access Control, 1 Park Gate Close, Bredbury, Stockport, Cheshire, SK6 2SZ
 Tel: +44 (0) 161 406 3400 Fax: +44 (0) 161 406 8984 Email: customerservices@stanleysecurityproducts.com
www.stanleysecurityproducts.com

Stanley Security Products is a sales channel of Stanley Security Solutions
 Stanley Security Solutions Ltd. Registered in England and Wales No. 181585. Registered Office: Stanley House, Bramble Road, Swindon, Wiltshire SN2 8ER. VAT No. 232 2446 95
 All reasonable care has been taken to ensure that the information contained in this publication is accurate as at the date of printing. Such information is nevertheless liable to variation in the event of changes occurring subsequent to the date of printing in the products, services or statements referred to in this publication.