

Oneprox™ Panel Mount Reader

The PAC® Oneprox Panel Reader is especially designed for door entry security access control applications. Intended for flush mounting into a door entry panel and with 4 industry standard fixing holes set 48.5mm (1.9") square apart, the reader can be used as a replacement for existing panel mount readers, fitted into posts to control car barriers or in new applications for standard door entry panels.

High reliability and advanced PAC Oneprox technology ensures guaranteed quick, consistent and dependable read range characteristics that keep traffic moving through secure areas and low power consumption in a one-piece, easy-to-install package.



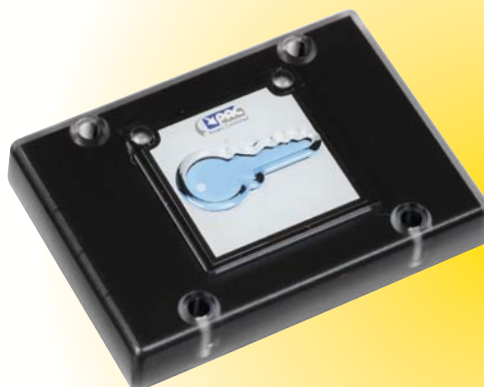
Key Features:

- Up to 35mm (1.4 in.) reading range
- Reads PAC and KeyPAC technology ID tokens and cards
- Fast and dependable read times
- Designed to be unobtrusive and to flush mount directly into a standard door entry panel
- Easy installation with industry standard, low cost 6-core alarm cable
- Disability Discrimination Act (DDA) compliant features help provide equal accessibility for disabled users
- Compatible with Easikey, Easikey 1000, PAC 2200, 202 and PAC 512 door controllers
- Sealed and rugged polycarbonate enclosure withstands harsh environment
- Lifetime guarantee against electronic failure

Providing a reassuring balance between innovation and investment protection, the PAC Oneprox Panel Reader helps building owners meet the strict requirements of the Disability Discrimination Act by helping areas become accessible to disabled users, through visual identification. The reader communicates its access status through an audible sounder, high visibility multi-colour LEDs and raised tactile graphics.

In operation, the reader has two LEDs (light emitting diode), one of which is red when the reader is active, with the other turning green with an optional audio sounder when the reader senses a valid token or card and the door controller activates the lock output.

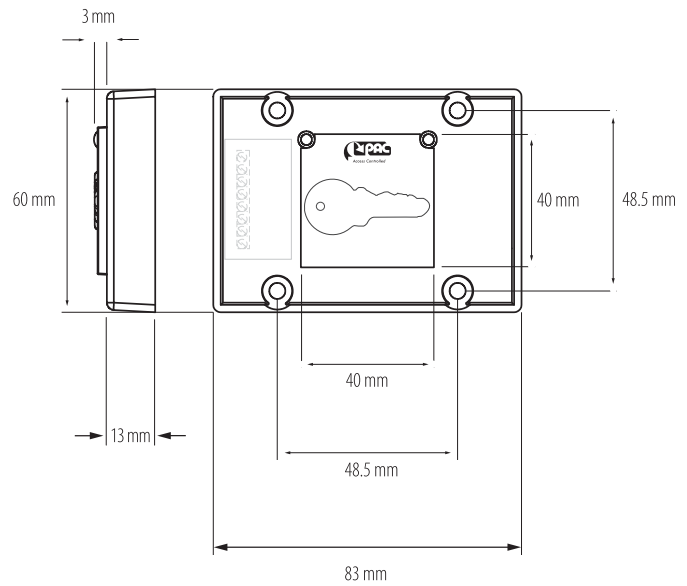
The PAC Oneprox Panel Mount Reader is reliable, difficult to compromise and is constructed of a rugged polycarbonate plastic material and potted using flame-retardant resin allowing complete freedom of use - both indoors and out.



Features & Specification

Description	Proximity reader for use in audio/video entry panels
ID Technology	PAC Oneprox (works with PAC and KeyPAC)
Dimensions	H: 83mm (3.3") W: 60mm (2.4") D: 16mm (0.62")
Programmable Output Formats	Standard PAC (default), Weigand 26-bit, Weigand 34-bit ABA track 2, or barcode.
Weight	100g nominal
Maximum Read Range	Up to 35mm (1.4 in.)
Environment	IP66 - Indoor / Outdoor weather resistant
Maximum Current Requirements	< 100mA
Recommended Cable Type	6-core 24AWG alarm cable
Operating Temperature	-20° to + 60° C
Door Entry Mounting	Industry standard 40mm square aperture. Panel thickness of 2.5mm required for flush mounting
Indicators	DDA compliant, high visibility dual colour (Red - Green), audible sounder and raised tactile graphics.
Material	Polycarbonate Plastic UL94V0
Certifications	CE Mark, Fifteen EU Countries under the R&TTE Directive (EN60950 - ITE Electrical Safety, ETS EN 300 330 - SRD, and ETS EN 301 489 - EMC)

Oneprox™ Panel Mount Reader



Ordering Information

Part Number	Description
20042	PAC Oneprox Panel Mount Reader (yellow & black)
20049	PAC Oneprox Panel Mount Reader (blue & grey) Preferred by RNIB

ACCESSORIES

21020 PAC Token

- Black with PAC logo clip



20204 PAC Token

- Black without PAC logo clip

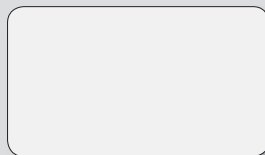
A range of coloured clips available



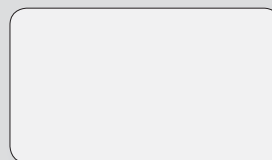
20250 KeyPAC Token



21039 PAC ISO Proximity Card x 10



21030 KeyPAC ISO Proximity Card



21087 Stanley Tokens

Black



21082



21084

Yellow



21086

Purple



21085

Orange



21083

Blue



21081

Red



STANLEY Security Products

PAC Access Control, 1 Park Gate Close, Bredbury, Stockport, Cheshire, SK6 2SZ
 Tel: +44 (0) 161 406 3400 Fax: +44 (0) 161 406 8984 Email: customerservices@stanleysecurityproducts.com
www.stanleysecurityproducts.com

Stanley Security Products is a sales channel of Stanley Security Solutions
 Stanley Security Solutions Ltd. Registered in England and Wales No. 181585. Registered Office: Stanley House, Bramble Road, Swindon, Wiltshire SN2 8ER. VAT No. 232 2446 95
 All reasonable care has been taken to ensure that the information contained in this publication is accurate as at the date of printing. Such information is nevertheless liable to variation in the event of changes occurring subsequent to the date of printing in the products, services or statements referred to in this publication.