

ET8122MPp-S-DR

Industrial Web-smart 8-port 10/100Base-TX (PoE+) + 2-port 10/100/1000Base-T/SFP Combo Ethernet Switch

Features

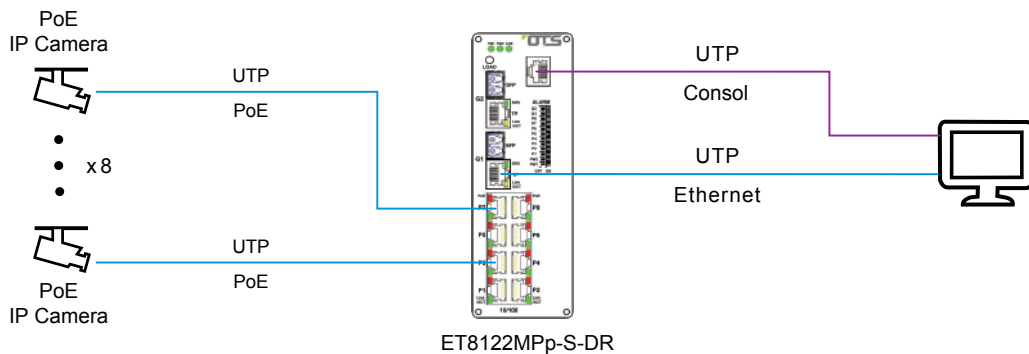
- ▶ 8 10/100Base-TX + 2 10/100/1000Base-TX/SFP Combo with PoE+
- ▶ Support IEEE802.3 at PoE+ (30W per port)
- ▶ RJ45 Port Supports 10/100Mbps-Full/Half-duplex, Auto-negotiation, Auto MDI/MDIX
- ▶ Combo RJ45 Port Supports 10/100/1000Mbps Full/Half-duplex, Auto-negotiation, Auto MDI/MDIX
- ▶ Supports external SFP
- ▶ Supports 802.3x Flow control
- ▶ Supports IGMP snooping V1/V2
- ▶ SNMP V1/V2c
- ▶ Supports 4K MAC address
- ▶ 2.75M bits frame buffer memory
- ▶ Supports Wall-mount and DIN-Rail installation
- ▶ Redundant Power Inputs
- ▶ -10°C to 60°C (14°F to 140°F) operating temperature



Warranty

- ▶ 5-Year Warranty

Typical Application



Specifications

Ethernet

| | |
|-----------------------|---|
| Standards | IEEE802.3 10Base-T IEEE802.3u 100Base-TX IEEE802.3ab 1000Base-T IEEE802.3z 1000Base-X IEEE802.3at |
| Processing Type | Store-and-Forward |
| Switch Fabric | 5.6 Gbps |
| Forward Filter Rate | 14,800pps (10Mbps) 148,000pps (100Mbps) 1,488,000pps (1000Mbps) |
| Packet Buffer Memory | 2.75 Mbits |
| Maximum Packet Length | 1536 Bytes |
| Address Table Size | 4K MAC Address |
| Connector | 10 × RJ45 |
| Optical Port | 2 × SFP 1000Base-X |

Specifications

Electrical and Mechanical

| | |
|------------------------|--|
| Input Power | 48~57VDC Redundant Power Input (6-pin Terminal Block) |
| Power Consumption | 8W Max. 0.17A@48VDC (PoE not in use) |
| LED Indicators | |
| Power | Power Status |
| Ethernet (Per Port) | LINK/Activity, Speed |
| SFP (Per Port) | LINK/Activity |
| ALM | Power or Port Fail |
| PoE | |
| Standard | IEEE802.3at |
| Port | RJ45 Port1~Port8 |
| Per Port Power | 30W (Alternative B Mode) |
| Dimensions (W x D x H) | 59 × 120.5 × 165 mm |
| Weight | 1.0 Kg |
| Casing | Aluminum Case |
| Mounting Options | Din Rail / Wall Mount |

Software Features

| | |
|--------------------|---|
| Management | Web, CLI, SNMP |
| PoE Management | PoE Status, PoE Setting, PoE Scheduling |
| Port Configuration | Port speed duplex mode selection, Bandwidth control, Broadcast Storm Control |
| VLAN Setting | 32 tag based entries VLAN Groups, 10 Port based VLAN Groups, MTU VLAN |
| QoS Setting | Allows to assign low/ high priority on each port, First-in-First-Out, All-Hight-before-Low, Weight-Round-Robin QoS Policy |
| Security | MAC Address, TCP & UDP Filter |
| Spanning Tree | STP, IEEE802.1 D (Spanning Tree Protocol) RSTP, IEEE802.1w (Rapid Spanning Tree Protocol) |
| Trunking | 2 groups of 4-Port 10/100Base-TX trunk support, up to 800Mbps bandwidth per trunk 1 group of 2-port 10/100/1000 Mbps trunk support, up to 2000Mbps bandwidth per trunk |
| DHCP | DHCP Relay Agent, DHCP Server, VLAN Map Relay Agent |
| Miscellaneous | Output Queue Aging Time, VLAN Striding, IGMP Snooping V1 & V2 |

Environmental

| | |
|-----------------------|--------------------------------|
| Operating Temperature | -10°C to 60°C (14°F to 140°F) |
| Storage Temperature | -40°C to 85°C (-40°F to 185°F) |
| Relative Humidity | 5% to 95% non-condensing |
| MTBF | > 200,000 hrs |

Regulatory Approvals

ISO9001, CE, FCC, RoHs
 EMI
 EN55022:2010+AC:2011, Class A
 EN61000-3-2:2006+A1: 2009+A2:2009
 EN61000-3-3: 2013
 EN55024:2010
 EMS
 IEC 61000-4-2:2008 (ESD)
 IEC 61000-4-3:2010 (RS)
 IEC 61000-4-4:2012 (EFT)
 IEC61000-4-5: 2014 (Surge)
 IEC61000-4-6:2013 (CS)
 IEC61000-4-8:2009 (PFMF)

Ordering Information

| Available Model | Description |
|-----------------|---|
| ET8122MPp-S-DR | Industrial Web-smart 8-port 10/100Base-TX (PoE+) + 2-port 10/100/1000Base-T/SFP Combo Ethernet Switch |

Ordering Information

Optional Accessories (to be purchased separately)

SFP (S) = SFP Option. Please select your SFP on our SFP Modules page at the back of the catalogue or our website www.ot-systems.com for details.

Power Supply Please refer to the power supply information at the back of the catalogue, our website www.ot-systems.com, or consult OTS sales at sales@ot-systems.com for your power system design properly.

Package Checklist

| | |
|----------------------------|-----|
| ■ Managed PoE Switch | x 1 |
| ■ Wall Mount plates | x 1 |
| ■ Din Rail Clip | x 1 |
| ■ Quick Installation Guide | x 1 |