

ET8122M-S-DR

Industrial Web-smart 8-port 10/100Base-TX + 2-port 10/100/1000-T/SFP Combo Ethernet Switch



Features

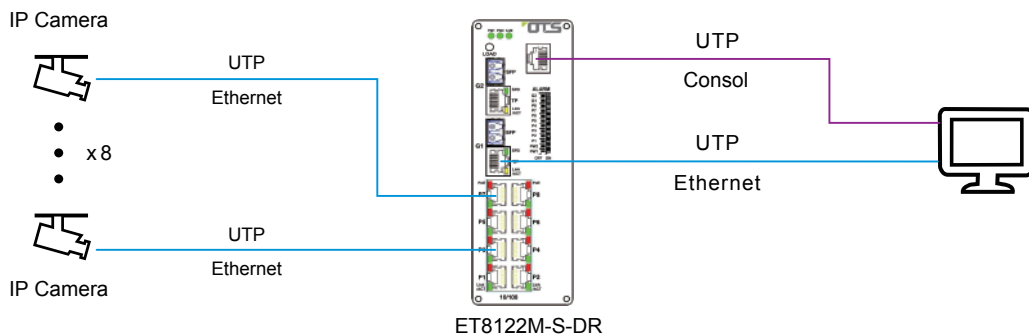
- ▶ 8 10/100Base-TX + 2 10/100/1000Base-TX/SFP Combo
- ▶ RJ45 Port Supports 10/100Mbps-Full/Half-duplex, Auto-negotiation, Auto MDI/MDIX
- ▶ Combo RJ45 Port Supports 10/100/1000Mbps Full/Half-duplex, Auto-negotiation, Auto MDI/MDIX
- ▶ Supports external SFP
- ▶ Supports 802.3x Flow control
- ▶ Supports IGMP snooping V1/V2
- ▶ SNMP V1/V2c
- ▶ Supports 4K MAC address
- ▶ 2.75M bits frame buffer memory
- ▶ Supports Wall-mount and DIN-Rail installation
- ▶ Redundant Power Inputs
- ▶ -10°C to 60°C (14°F to 140°F) operating temperature



Warranty

- ▶ 5-Year Warranty

Typical Application



Specifications

Ethernet

Standards	IEEE802.3 10Base-T IEEE802.3u 100Base-TX IEEE802.3ab 1000Base-T IEEE802.3z 1000Base-X
Processing Type	Store-and-Forward
Switch Fabric	5.6 Gbps
Forward Filter Rate	14,880pps (10Mbps) 148,800pps (100Mbps) 1,488,000pps (1000Mbps)
Packet Buffer Memory	2.75 Mbits
Maximum Packet Length	1536 Bytes
Address Table Size	4K MAC Address
Connector	10 × RJ45
Optical Port	2 × SFP 1000Base-X

Electrical and Mechanical

Input Power	12~48VDC Redundant Power Input (6-pin Terminal Block)
Power Consumption	8W Max. 0.17A@48VDC

Specifications

LED Indicators	
Power	Power Status
Ethernet (Per Port)	LINK/Activity, Speed
SFP (Per Port)	LINK/Activity
ALM	Power or Port Fail
Dimensions (W x D x H)	59 × 120.5 × 165 mm
Weight	1.0 Kg
Casing	Aluminum Case
Mounting Options	Din Rail / Wall Mount

Software Features

Management	Web
Port Configuration	Port Speed duplex mode selection, Bandwidth, Broadcast Storm Control
VLAN Setting	32 tag based entries VLAN Groups, 10 Port based VLAN Groups
QoS Setting	Allows to assign low / high priority on each port, First-in-First-Out, All-High-before-Low, Weight-Round-Robin QoS Policy
Security	MAC Address, TCP & UDP Filter
Spanning Tree	STP, IEEE802.1 D (Spanning Tree Protocol) RSTP, IEEE802.1w (Rapid Spanning Tree Protocol)
Trunking	2 groups of 4-port 10/100Base-TX trunk support, up to 800Mbps Bandwidth per trunk 1 group of 2-port 10/100/1000Mbps trunk support, up to 2000 Mbps bandwidth per trunk
DHCP	DHCP Relay Agent, DHCP Server, VLAN Map Relay Agent
Miscellaneous	Output Queue Aging Time, VLAN Striding, IGMP Snooping V1 / V2

Environmental

Operating Temperature	-10°C to 60°C (14°F to 140°F)
Storage Temperature	-40°C to 85°C (-40°F to 185°F)
Relative Humidity	5% to 95% non-condensing
MTBF	> 200,000 hrs

Regulatory Approvals

ISO9001, CE, FCC, RoHs	EMS
EMI	IEC 61000-4-2:2008 (ESD)
EN55022:2010+AC:2011, Class A	IEC 61000-4-3:2010 (RS)
EN61000-3-2:2006+A1: 2009+A2:2009	IEC 61000-4-4:2012 (EFT)
EN61000-3-3: 2013	IEC 61000-4-5:2014 (Surge)
EN55024:2010	IEC 61000-4-6:2013 (CS)
	IEC 61000-4-8:2009 (PFMF)

Ordering Information

Available Model	Description
ET8122M-S-DR	Industrial Web-smart 8-port 10/100Base-TX + 2-port 10/100/1000-T/SFP Combo Ethernet Switch

Optional Accessories (to be purchased separately)

SFP	(S) = SFP Option. Please select your SFP on our SFP Modules page at the back of the catalogue or our website www.ot-systems.com for details.
Power Supply	Please refer to the power supply information at the back of the catalogue, our website www.ot-systems.com , or consult OTS sales at sales@ot-systems.com for your power system design properly.

Package Checklist

■ Managed Network Switch	x 1
■ Wall Mount plates	x 1
■ Din Rail Clip	x 1
■ Quick Installation Guide	x 1



OT Systems Ltd., Oct 2015

Due to continuous improvement, all product specifications are subject to change without further notice.