

ET5212Pp Series

Hardened / Industrial IP CCTV Self-Configured 5-port 10/100/1000Base-TX (4-port PoE+) + 1-port 1000Base-FX SFP Ethernet Switch



Features

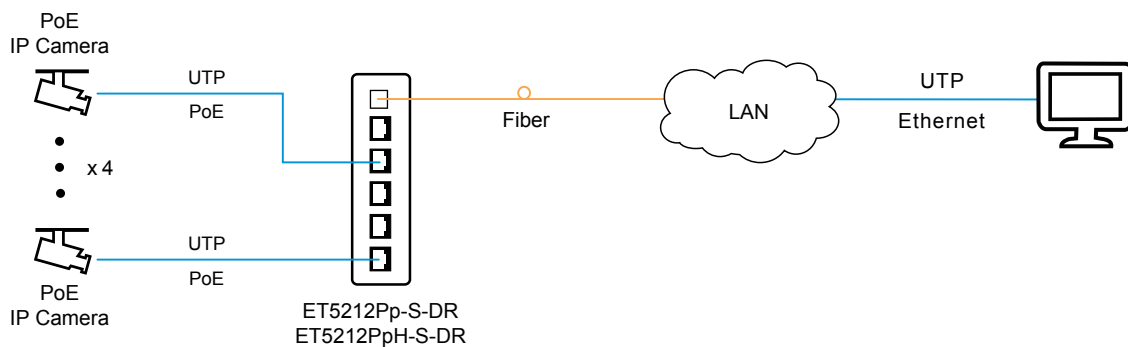
- ▶ 5 10/100/1000Base-TX + 1 1000Base-FX SFP
- ▶ Automatically support IGMP (Multicasting)
- ▶ 10/100/1000Mbps RJ45 Port Supports Full/Half-duplex, Auto-negotiation, Auto MDI/MDIX
- ▶ Supports IEEE 802.3at PoE+ (30W per port)
- ▶ Supports external 1000Base SFP
- ▶ Supports Light Hardware IGMP V1, V2, V3
- ▶ Supports 802.3x Flow control
- ▶ Supports Broadcast Storm Control
- ▶ 1M bits frame buffer memory
- ▶ 9K Bytes Jumbo Frame
- ▶ Supports Relay output for Power failure and port failure alarm
- ▶ Redundant Power Inputs
- ▶ Supports Wall-mount and DIN-Rail installation
- ▶ -40°C to 75°C (-40°F to 167°F) operating temperature



Warranty

- ▶ 5-Year Warranty

Typical Application



Specifications

Ethernet

| | |
|----------------------|--|
| Standards | IEEE802.3 10Base-T IEEE802.3u 100Base-TX IEEE802.3ab 1000Base-T IEEE802.3z 1000Base-X IEEE802.3af Power over Ethernet IEEE802.3at Power over Ethernet |
| Processing Type | Store-and-Forward |
| Switch Fabric | 12 Gbps |
| Forward Filter Rate | 14,880pps (10Mbps) 148,800pps (100Mbps) 1,488,000pps (1000Mbps) |
| Packet Buffer Memory | 1 Mbit |
| Max. Packet Length | 9K Bytes |
| Address Table Size | 2048K MAC Addresses |

Interface

| | |
|--------------|---------------------|
| Connector | 5 x RJ45 |
| Optical Port | 1 x 1000Base-FX SFP |

Specifications

Electrical and Mechanical

| | |
|------------------------|---|
| Input Power | 48~57VDC, Redundant Power (6-pin Terminal Block) |
| Power Consumption | Max 5W (PoE not in use) Max 125W (PoE in use) |
| LED Indicators | |
| Power | Power1, Power2 Status |
| PoE | Per Port Status |
| Ethernet (Per Port) | LINK/Activity |
| SFP | LINK/Activity |
| Dimensions (W x D x H) | 31 x 120 x 148 mm |
| Weight | 0.5Kg |
| Casing | Aluminum Case |
| Mounting options | DIN-Rail / Wall-mount |

Environmental

| | |
|-----------------------|--------------------------------|
| Operating Temperature | |
| Hardened | -40°C to 75°C (-40°F to 167°F) |
| Industrial | -10°C to 60°C (14°F to 140°F) |
| Storage Temperature | -40°C to 85°C (-40°F to 185°F) |
| Relative Humidity | 5% to 95% non-condensing |
| MTBF | > 200,000 hrs |

Regulatory Approvals

ISO9001
 EN55022:2010+AC: 2011, Class A
 EN 61000-3-2: 2006+A1: 2009+A2: 2009
 EN 61000-3-3: 2013
 EN55024:2010
 IEC 61000-4-2: 2008 (ESD)
 IEC 61000-4-3: 2010 (RS)
 IEC 61000-4-4: 2012 (EFT)
 IEC 61000-4-5: 2014 (Surge)
 IEC 61000-4-6: 2013 (CS)
 IEC 61000-4-8: 2009 (PFMF)

Ordering Information

| Available Model | Description |
|-----------------|---|
| ET5212Pp-S-DR | Industrial IP CCTV Self-Configured 5-port 10/100/1000Base-TX (4-port PoE+) + 1-port 1000Base-FX SFP Ethernet Switch |
| ET5212PpH-S-DR | Hardened IP CCTV Self-Configured 5-port 10/100/1000Base-TX (4-port PoE+) + 1-port 1000Base-FX SFP Ethernet Switch |

Optional Accessories (to be purchased separately)

| | |
|---------------------|---|
| SFP | (S)=SFP Option. Please select your SFP on our SFP Modules page at the back of the catalogue or our website www.ot-systems.com for details. |
| Power Supply | Please refer to the power supply information at the back of the catalogue, our website www.ot-systems.com , or consult OTS sales at sales@ot-systems.com for your power system design properly. |

Package Checklist

| | |
|--------------------------------------|-----|
| ■ IP CCTV Self-Configured PoE Switch | x 1 |
| ■ Wall Mount Plates | x 1 |
| ■ DIN Rail Clip | x 1 |
| ■ Quick Installation Guide | x 1 |

