

# ET16122Pp-S

Unmanaged 16-port 10/100Base-TX (PoE+) + 2-port 10/100/1000Base-T/SFP Combo Ethernet Switch



## Features

### General

- ▶ 16 10/100Base-TX + 2 10/100/1000Base-TX/SFP Combo with PoE+
- ▶ Supports IEEE802.3at PoE+ (30W per port)
- ▶ RJ45 Port Supports 10/100Mbps-Full/Half-duplex, Auto-Negotiation, Auto MDI/MDI-X
- ▶ Combo RJ45 Port Supports 10/100/1000Mbps-Full/Half-duplex, Auto-Negotiation, Auto MDI/MDI-X
- ▶ Supports external SFP
- ▶ Supports 802.3x Flow control
- ▶ Support 4K MAC addresses
- ▶ 2.75 M bits frame buffer memory
- ▶ 19" 1U Rack-mount
- ▶ AC Power Input
- ▶ 0°C to 50°C (32°F to 122°F) operating temperature

### Warranty

- ▶ 5-Year Warranty



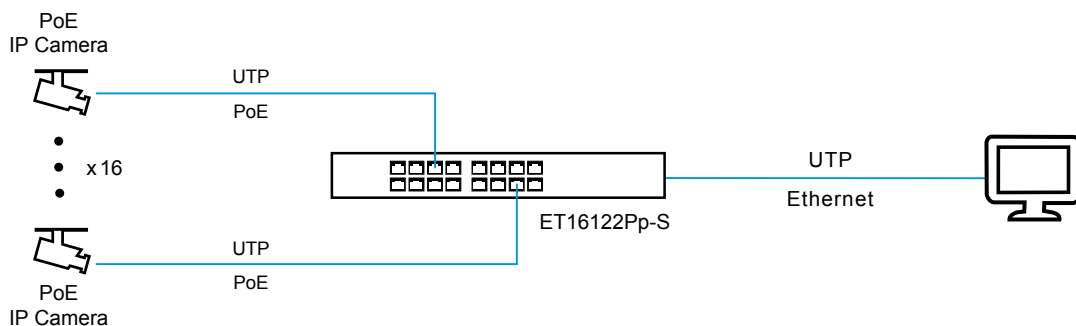
Unmanaged PoE Switches

PoE Switches

## Ordering Information

Model	Description
ET16122Pp-S	Unmanaged 16-port 10/100Base-TX (PoE+) + 2-port 10/100/1000Base-T/SFP Combo Ethernet Switch
SFP Options	■ (S) = SFP option. Please select your SFP option on our SFP Option page.
Mounting Options	■ 19" 1U Rack-mount.
Power Options	■ 100~240VAC Input.

## Typical Application



## Specifications

### Ethernet

Standards:	IEEE802.3 10Base-T
	IEEE802.3u 100Base-TX
	IEEE802.3ab 1000Base-T
	IEEE802.3z 1000Base-X
	IEEE802.3at
Processing Type:	Store-and-forward
Forward Filter Rate:	14,880pps (10Mbps)
	148,800pps (100Mbps)
	1,488,000pps (1000Mbps)
Packet Buffer Memory:	2.75M bit
Max Packet Length:	1536 Bytes
Address Table Size:	4K MAC Addresses
Connector:	18xRJ45
Optical Port:	2xSFP 1000BASE-X

### Environmental

Operating Temperature:	0°C to 50°C (32°F to 122°F)
Storage Temperature:	-20°C to 75°C (-4°F to 167°F)
Relative Humidity:	5% - 95% (non-condensing)
MTBF:	> 100,000 hrs

### Electrical and Mechanical

Input Power:	100~240VAC 50/60Hz
Power Consumption:	Max. 7W (System no-load)
	Max. 12W (System Full-load)
PoE:	
Standard:	IEEE802.3at
Port:	RJ45 Port1~Port16
Per Port Power:	30W (Alternative B Mode)
Max. PoE Power:	390W (16Port share)
LED Indicators:	
Power:	PowerStatus
Ethernet(Per Port):	Link/Active, Speed
SFP:	Link, Active
Dimensions (WxDxH):	433x350x44 mm
Weight:	3.3Kg
Casing:	Metal case
Mounting:	Rack Mount

### Regulatory Approvals

ISO9001, CE, FCC, RoHS
EMI
EN55022:2010+AC: 2011, Class A
EN 61000-3-2: 2006+A1: 2009+A2: 2009
EN 61000-3-3: 2013
EN55024:2010
EMS
IEC 61000-4-2: 2008 (ESD)
IEC 61000-4-3: 2010 (RS)
IEC 61000-4-4: 2012 (EFT)
IEC 61000-4-5: 2014 (Surge)
IEC 61000-4-6: 2013 (CS)
IEC 61000-4-8: 2009 (PFMF)
IEC 61000-4-11: 2004 (Voltage dips/variatio



OT Systems Ltd., May 2015

Due to continuous improvement, all product specifications are subject to change without further notice.

