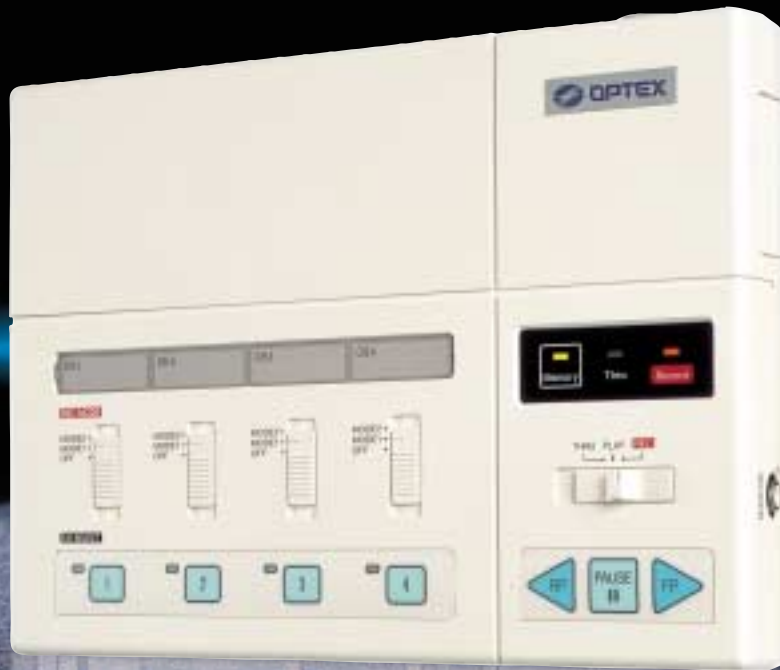




WonderTrack

The Digital Alternative for CCTV Recording



WT-100/110 64MB

4 Zone Digital Event Recorder

Digital Quality & Versatility in One Affordable Package

Built-in 4-channel switcher

High definition JPEG data compression

Pre-alarm and Post-alarm event recording

Never Fails to Capture that Crucial Moment



**Digital Event Recorder
WT-100/110 64MB**

**Applications Everywhere
Record Events with Perfect Picture Quality!**



WonderTrack offers Three Different Recording Modes

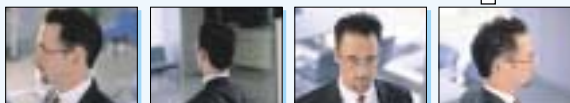
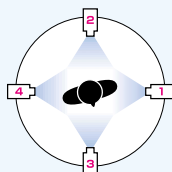
• CH-1 Pre-Alarm Mode

When an alarm occurs, the WonderTrack can store images of the scene from moments before the alarm was activated.



• Multi-Angle Mode

In this mode, an alarm detected by one camera starts recording of sequential shots by all 4 cameras.



• Interval Mode

As well as recording pictures when an alarm event occurs, the WonderTrack can be programmed to record images at regular time intervals without an alarm condition being present.



"Digital" gives you Quick Recording, Quick Search, and Quick Replay.



Save Labour Costs

How many hours does it take to check the recorded tapes from a Time Lapse Video?

- Why search through hundreds of hours of time lapse video recordings trying to find an event that happens in just seconds? WonderTrack is event activated. So it records only the pictures you need to solve your security problem. Don't waste precious time searching through time-lapse video tapes, retrieve and review pictures with WonderTrack's incredibly fast and easy indexing system instead.
- WonderTrack is a compact and lightweight unit which can be placed on a desktop or mounted on a wall. It's easy to operate and does not require the use of a complicated PC or software.



Wall mount



Desk Top

Maintenance Free

Eliminate the expensive maintenance costs required by Time Lapse VCRs!

- Substantial savings are achieved by eliminating the regular replacement of video tapes, recording heads, and other routine maintenance required by tape based recorders.
- Select Standard or High Resolution recording. Even at Standard Resolution, WonderTrack's digital pictures have better picture quality than pictures from conventional tape based systems.

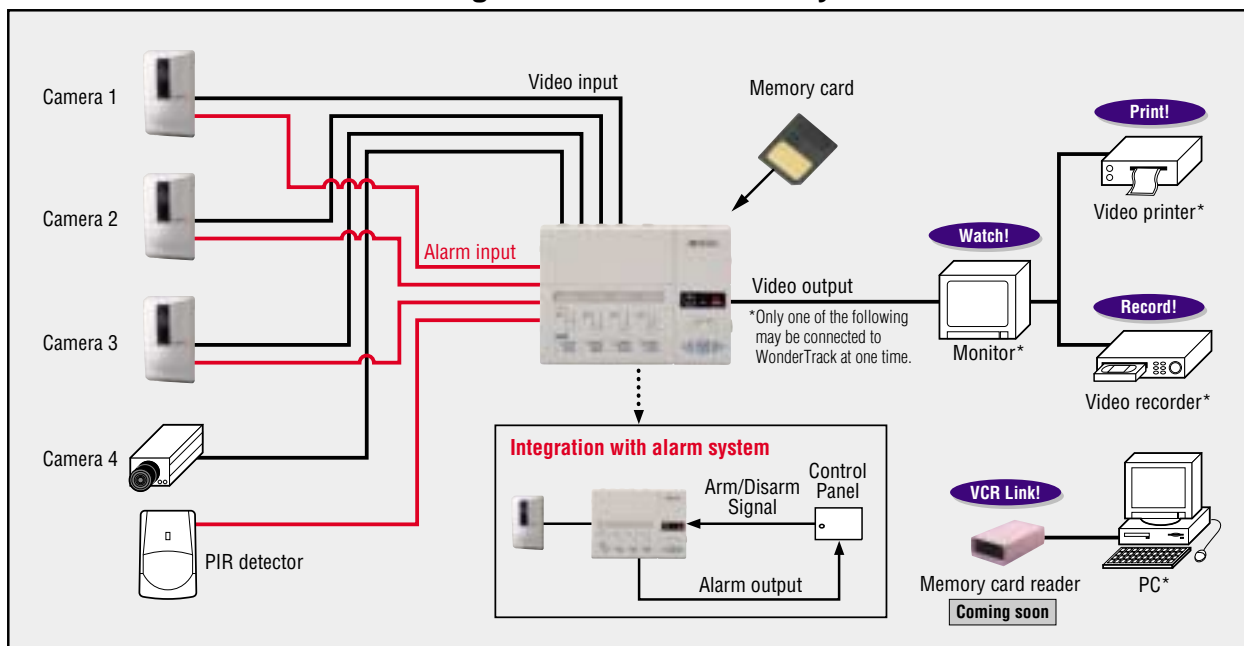


WonderTrack



Time lapse video

WonderTrack can be used to Integrate Alarm and CCTV Systems



WonderTrack will capture the whole alarm event.

Application Examples

Security system for Taxis



Anti-theft monitoring for schools



Security system for convenience stores



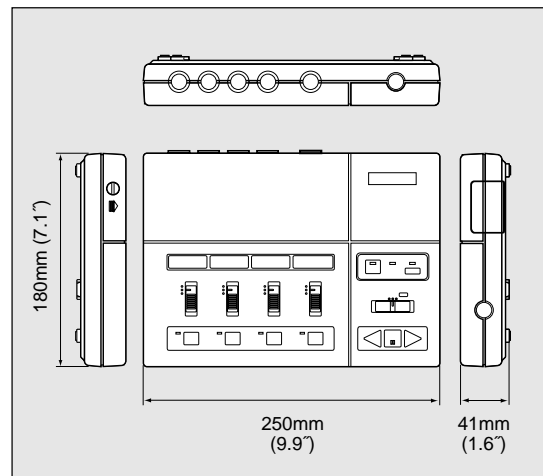
Monitoring system for medicines and chemicals



Specifications

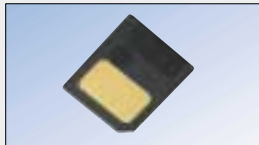
Model	WT-100E	WT-100C	WT-110N	WT-110P
	B/W		Colour	
Operating voltage	7V - 12V DC \pm 5%			
Current consumption	0.6A (7V DC)			
Operating temperature	0°C - +40°C (32°F - +104°F)			
Dimensions (W x H x D)	250mm x 180mm x 41mm (9.9" x 7.1" x 1.6")			
Weight	0.8kg (2 lb)			
•Video				
Signal format	EIA	CCIR	NTSC	PAL
Input signal	Composite 1.0Vp-p \pm 10% 75 Ω (BNC terminal x 4 channels)			
Output signal	Composite 1.0Vp-p \pm 10% 75 Ω (RCA terminal x 2)			
Sampling resolution	640H x 240V	768H x 288V	640H x 240V	768H x 288V
	Field mode			
•Input / Output				
Relay input	Relay input NO/NC (2 terminals x 4 channels)			
Relay output	Relay output NO/NC/COM (3 terminals x 1 channel)			
Alarm output	Relay open circuit (closed to arm) (2 terminals)			
Arming mode input	1 relay, open collector matching			
•Memory				
Compression format	JPEG			
Recommended card type	Memory card 3.3V, 8MB/16MB/32MB/64MB (memory card(s) are not included in unit)			
Interval time	From the 0.5 seconds to 24 hours (This may vary depending on setting)			
Recording speed	Maximum 2 pictures /sec.			
Number of pictures	STD (8MB)	500	330	250
	STD (16MB)	1000	660	500
	STD (32MB)	2000	1340	1000
	STD (64MB)	4000	2680	2000
	HIGH (8MB)	330	250	200
	HIGH (16MB)	660	500	400
	HIGH (32MB)	1340	1000	800
	HIGH (64MB)	2680	2000	1600

Dimensions



Options

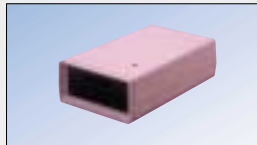
Memory cards



MC-8 (8MB) MC-32 (32MB)
MC-16 (16MB) MC-64 (64MB)

*Please use memory cards specified by Optex.

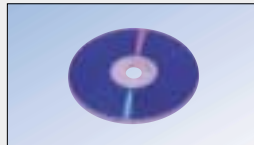
Memory card reader



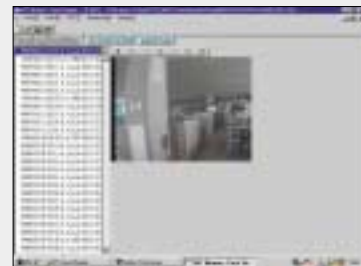
Media: Memory card (3.3V) 8 to 64MB in WonderTrack format
System requirement: Pentium® 100MHz or better running Windows® 95/98

*Includes a RS-232C cable and a Viewer Software CD-ROM.
*Pentium® is a trademark of Intel Corporation and Windows® is a trademark of Microsoft Corporation.

WT-Viewer software



[Actual Screenshot]



WBF-1 : Wall mount bracket
AP-200V/240V : AC adpoter

※ Specification and design are subject to change without prior notice.

NOTE: Because the WonderTrack is only part of a CCTV security system, we cannot accept responsibility for any damage or other consequences resulting from an intrusion.



OPTEX CO., LTD. (ISO 9001 Certified by LRQA)
4-7-5 Nionohama Otsu, 520-0801 Japan
TEL (077)524-6047 FAX (077)522-9022

OPTEX INCORPORATED
1845W, 205th Street Torrance, CA 90501-1510 U.S.A.
TEL (310)533-1500 FAX (310)533-5910

OPTEX (EUROPE) LTD. (ISO 9002 Certified by NQA)
Clivemont Road, Cordwallis Park, Maidenhead, Berkshire, SL6 7BU U.K.
TEL (01628)631000 FAX (01628)636311
E-mail: sales@optex-europe.com URL: <http://www.optexeurope.com>

No. 75053-00-5229-0004