

The Wire-Free link is designed to transport alarm information from remote outdoor areas to CCTV or alarm receiving devices. The link is able to operate over maximum line of sight (L.O.S) distances of 200 metres. A special test mode allows range testing to be carried out quickly and easily prior to installation.

The link is housed in fully weatherproof enclosures to IP66 and comes complete with all parts and accessories. Receivers are able to accept alarm inputs from up to four separate, and individually coded, Redwall Wire-free link transmitters.

Outputs from the receiver channels are all Form 'C' clean contacts and allow the link to be used to interface with any alarm or CCTV product. The receiver operates on 12 V DC and consumes 75mA, while the transmitter runs on four readily available alkaline 'D' cells. When used with Redwall wire-free detectors, transmitter batteries will operate for up to three years between battery changes.

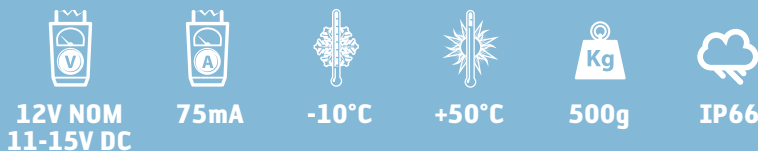
Any device with closing alarm contacts can be used with the link. Radio link applications include sending positioning information from a remote Redwall sensor back to a dome up to 200m away. The dome can then be programmed to automatically position itself to show the cause of the alarm.



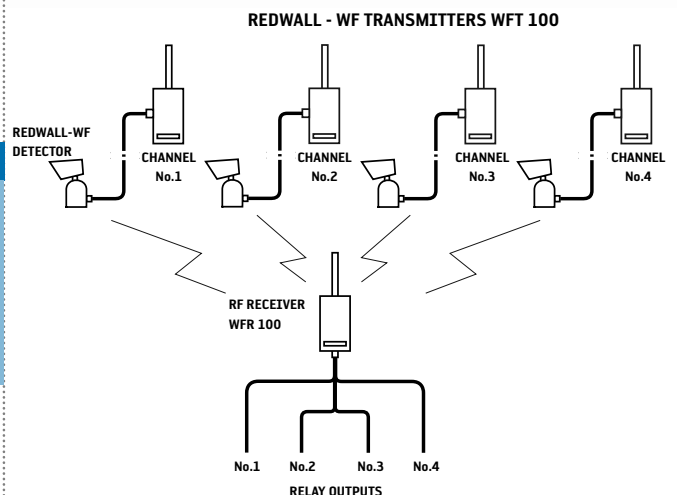
### FEATURES

- 3 year battery life
- Weatherproof housings to IP66
- Up to 200m L.O.S range
- Licence free operation
- Four channel receiver
- Coded for security use
- Set-up and test mode
- Selectable lock-out timer
- Uses standard 'D' cell batteries

### RECEIVER SPECIFICATIONS



### TYPICAL INSTALLATION



### TRANSMITTER SPECIFICATIONS

