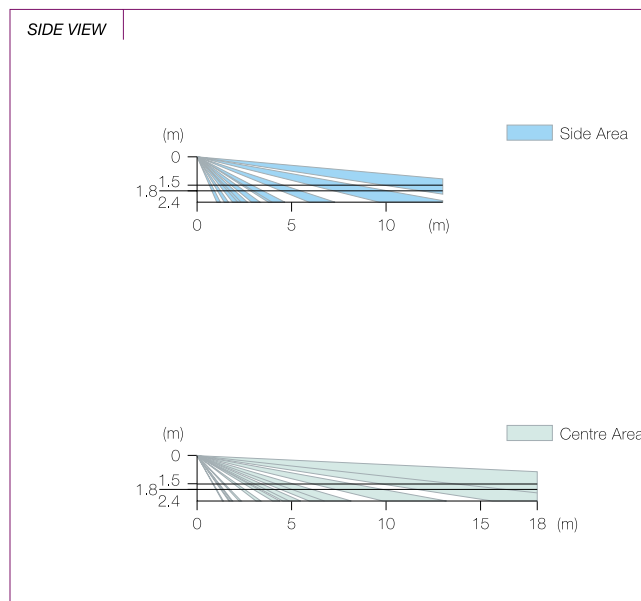
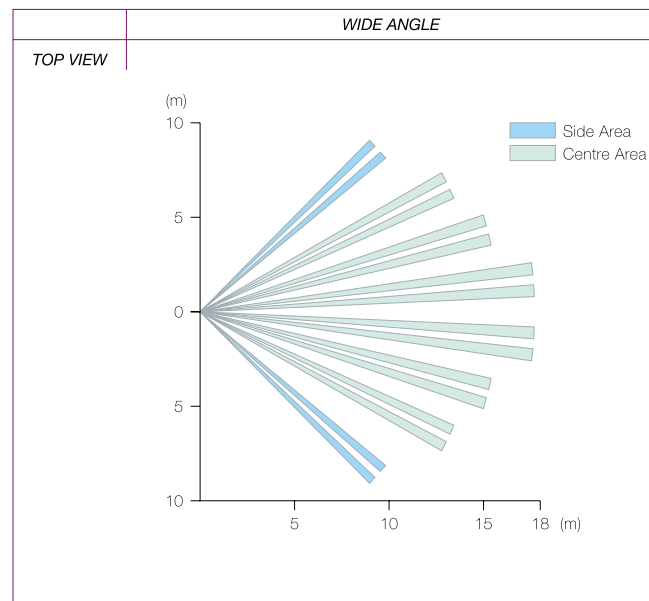




SEQUENTIAL CONFIRMATION DETECTOR  
**SEQUAD™**  
**SQ-40/SQ-60**

● DETECTION PATTERNS



● SPECIFICATIONS

MODEL	SQ-40	SQ-60
Detection method	Passive infrared	
Coverage	Wide angle 85° wide	
	12m x 12m	18m x 18m
Detection zones	Side Area 26; Centre Area 44.	
Mounting height	1.5 - 2.4m	1.8 - 2.4m
Sensitivity	2C° at 0.6m/sec., 2.4m mounting height	
Detection speed	0.3 - 1.5m/sec.	
Power input	9.5 - 18V DC	
Current draw	17mA (normal), 20mA (max.) at 12V DC	
Alarm period	Approx. 2 sec.	
Alarm output	2 x N.C., 28V DC 0.2A max.	
Tamper switch	N.C., Opens when cover is removed 28V DC 0.1A max.	
Warm-up period	Approx. 60 sec.	
LED indicator	Both LEDs turned on during warm-up. In operation: yellow lit upon detection in side area and red in centre area	
D.L. terminal	LED can be enabled or disabled remotely from control panel by D.L. terminal	
RF interference	No alarm 20V/m	
Operating temperature	-20°C - +55°C	
Environment humidity	95% max.	
Weight	120g	

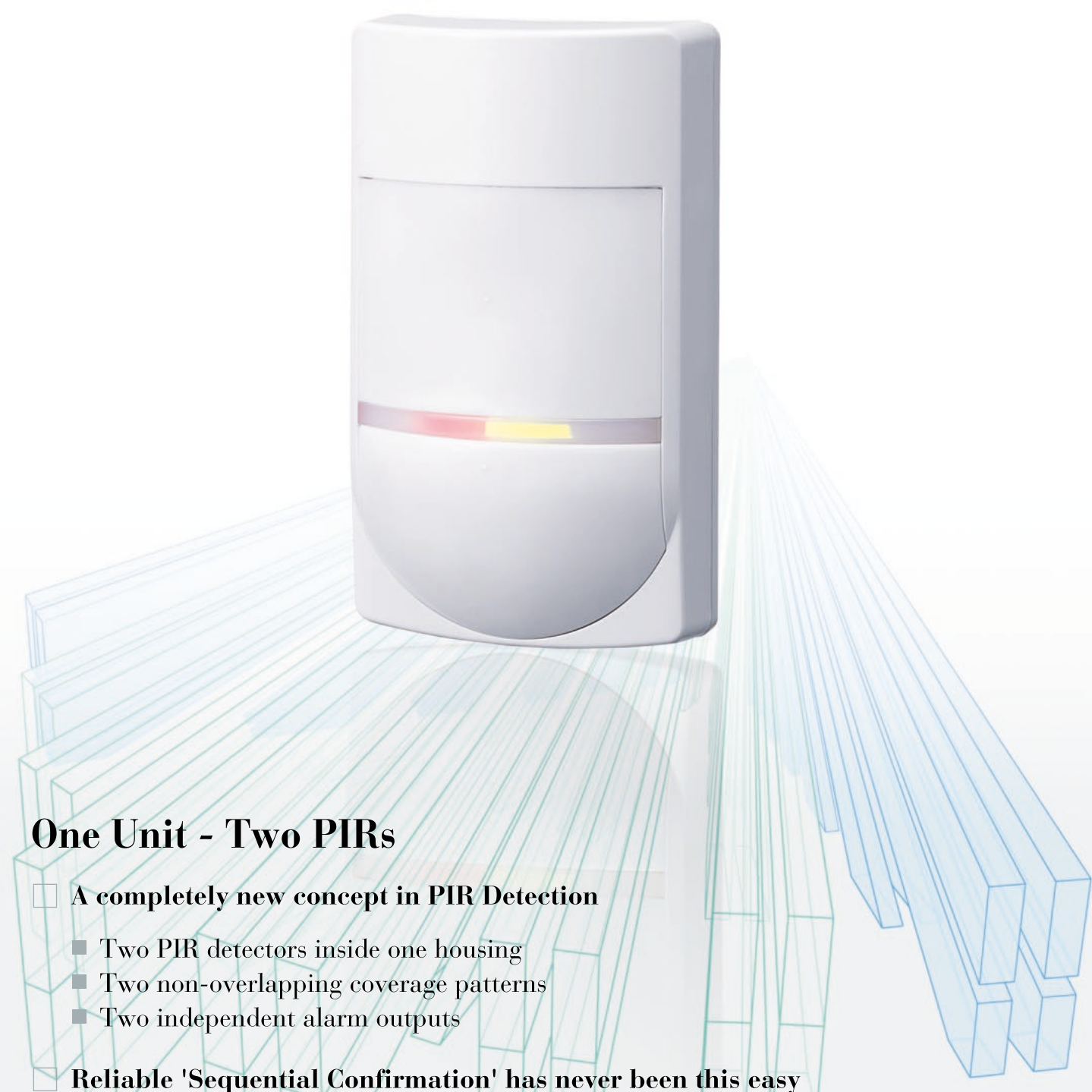
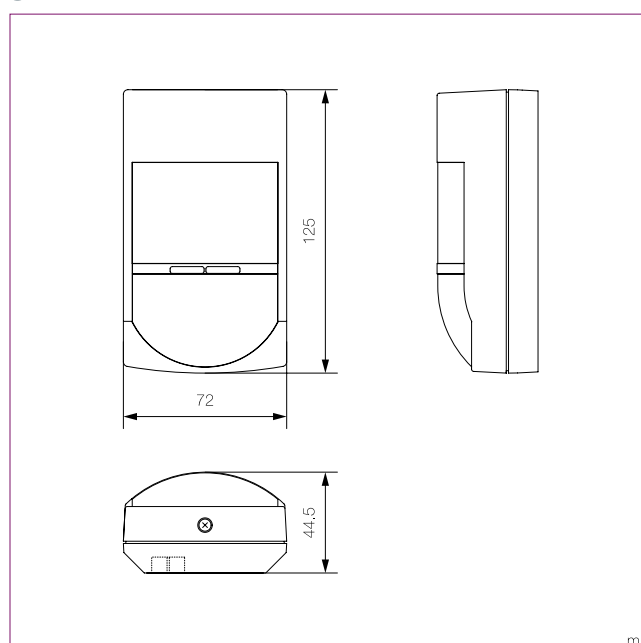
\*Specifications and design are subject to change without prior notice.  
 NOTE: This unit is designed to detect movement of an intruder and activate an alarm control panel. Being only a part of a complete system, we cannot accept responsibility for any damages or other consequences resulting from an intrusion. This product conforms to the category "Residential, Commercial and Light Industry" of EMC Directive 89/336 EEC.

● OPTION

Optional Multi-Angle Bracket

**FA-3** Wall & Ceiling Mounting Bracket  
 Horizontally ± 45°, Vertically 0° to 15° downwards

● DIMENSIONS



**One Unit - Two PIRs**

□ **A completely new concept in PIR Detection**

- Two PIR detectors inside one housing
- Two non-overlapping coverage patterns
- Two independent alarm outputs

□ **Reliable 'Sequential Confirmation' has never been this easy**

- Confirms to the latest ACPO guidelines on sequentially confirmed activations
- Proven PIR technology means false alarms are minimised
- 'One unit - one cable' makes installation easy

**OPTEX**

**OPTEX (EUROPE) LTD.** (ISO 9002 Certified by NQA)  
 Unit 9, Four Seasons Crescent, Sutton, Surrey, SM3 9QR, UK  
 TEL (02082)542222 FAX (02086)410017  
<http://www.optexeurope.com>

**OPTEX CO., LTD.** (ISO 9001 Certified by LRQA)  
 4-7-5 Nionohama Otsu, 520-0801 Japan  
 TEL (077) 524-6047 FAX (077) 522-9022  
<http://www.optex.co.jp/e/sec/index.html>

**OPTEX INCORPORATED**  
 1845W, 205th Street Torrance, CA 90501-1510 U.S.A.  
 TEL (310) 533-1500 FAX (310) 533-5910  
<http://www.optexamerica.com>

REGISTERED QUALITY ASSURANCE ISO 9001  
 UKAS QUALITY MANAGEMENT 001

"Take Care of the Environment"  
 This catalogue uses recycled paper

The new SEQUAD is unique in that it contains two independent PIR detectors inside one housing. Mounted in the corner of a room, one of the detectors within the SEQUAD provides coverage along each of the two walls (Side Area) and the other covers the central area of the room (Centre Area). When a door or window is opened, an alarm is generated by side area. If an intruder then enters the room a second alarm is activated by centre area, providing a sequentially confirmed activation. This 'Separate Double-Area Configuration' is unique to Optex.

Sequential confirmation using the SEQUAD is the simplest and most cost effective alarm confirmation solution.

## What is Sequential Confirmation?

### Example 1. Use of two PIRs in a room

This arrangement does not comply with ACPO policy because the detection areas are overlapping.

### Example 2. Use of two PIRs for separate areas

Although this installation complies with ACPO policy, because the detection areas do not overlap, it allows for the possibility of a burglary with no sequentially confirmed activation.

### Example 3. Use of SEQUAD

By creating independent side and centre area detection patterns without overlap, this installation, using a single SEQUAD sensor, creates a sequentially confirmed alarm signal when the burglary occurs.

## Key Benefits to SEQUAD

### ● SEQUAD uses proven PIR technology

Optex have been designing and manufacturing PIR detectors for over twenty years and installers will verify that our PIR technology has proven reliability.

### ● 'Sequential confirmation' is reliable

Compared to the other two recognised methods of confirmation - audio and visual - sequential confirmation is the simplest, most cost effective and reliable solution.

### ● Double-Area Configuration

Using patent-pending 'Separate Double-Area Configuration' technology, there is a small, discrete gap between the detection patterns of the two detectors. Because there is no overlap, the SEQUAD complies with current recommendations.

### ● SEQUAD makes upgrade easy

When upgrading a conventional alarm system to one that provides sequentially confirmed activations, SEQUAD can save you time and money, by using existing eight-core cable. No extra space or wiring is necessary, simply switch the detectors over, align them and the job is done.

### ● 'One unit - one cable' makes installation easy

## Patented Quad Zone Logic

Quad zones capture the entire body mass and, by recognizing differences in detection signal strength, determine the size of an object in a detection area. Quad Zone Logic reduces the false alarms caused by small animals, which create much smaller signals than larger human-sized targets.

## Digital Signal Processing

### ● Advanced Temperature Compensation

Increases detection capability in high temperature conditions, where the background temperature is similar to that of the human body. It maintains a high level of false alarm protection and helps prevent valid alarms being missed by automatically adjusting sensitivity according to the environmental temperature.

### ● Noise Reduction Processing

## Spherical Lens Design

Eliminates distortion by providing a uniform focal length for every detection zone and because the sphere is one of the strongest geometrical structures, provides a robust protective housing for the internal electronics.

## Sealed Optics

With conventional PIR detectors, small insects and draughts can cause false alarms by getting between the lens and the pyroelectric element. 'Sealed Optics' make this space a separate sealed compartment ensuring that it remains empty and undisturbed at all times.

## Easy to View LED Indicator

## Slim Stylish Design

## 100% factory-tested

