

The RX Series gives extremely high false alarm protection with excellent tolerance to spot temperature changes from curtains and small animals. Using patented Quad Zone Logic, it is able to accurately discriminate between humans and other sources of infrared, providing reliable detection in a diverse range of applications.

The attractive housing incorporates the unique Optex spherical lens design, which is not only robust, but also helps to maximise the performance of Quad Zone Logic by providing an accurate focal length for each detection zone.

The RX Series also includes Optical Quad Technology, which uses taller detection zones divided into upper and lower areas. By detecting infrared energy changes in both areas and then coupling them, it provides extremely accurate detection even in very hostile environments.



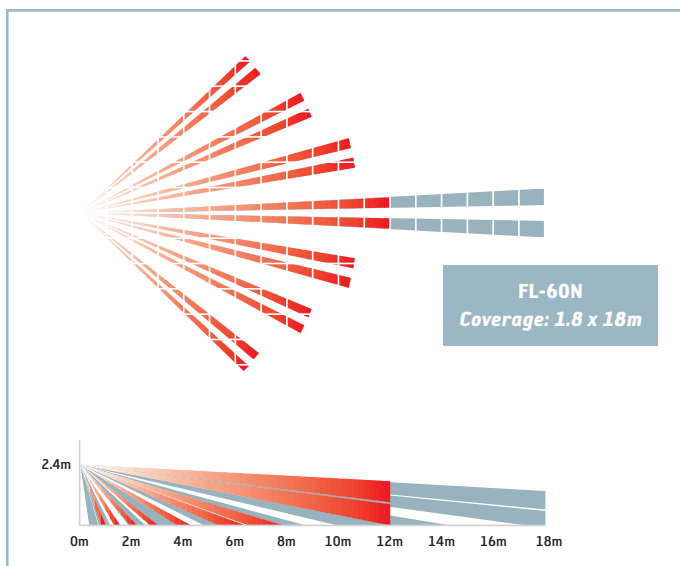
## FEATURES

- **Patented Quad Zone Logic**
- **Spherical Lens Design**
- **Temperature Compensation**
- **Sealed Optics**
- **Selectable pulse count: 2 or 4**
- **100% factory-tested for reliability**

## OPTIONS

- **RX-40QZ - standard model with Quad Zone Logic**
- **RX-40PT - RX-40QZ with Pet Tolerance**
- **RX-40QZ ID - RX-40QZ with ID programmable control system**

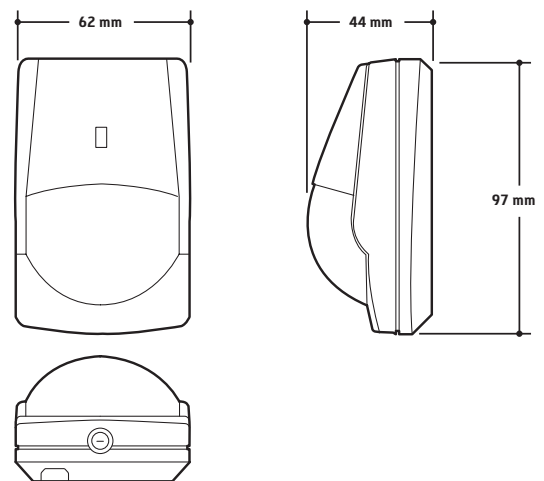
## COVERAGE



## ACCESSORIES

- **FA-3: Wall and ceiling mounting bracket**
- **FL-60N: 18m long-range lens (pack of 5)**

## DIMENSIONS



## SPECIFICATIONS



78 Wide



9.5 - 16.0V DC



8mA (normal)  
11mA (max.)  
at 12V DC



-20°C



+50°C



70g



Pulse Count  
20 secs.  
2 or 4 (approx.)



Alarm Output  
N.C.  
28V, 0.2A (max.)



Tamper  
N.C.

The MX Series combines state of the art microwave and PIR technologies in attractive, easy-to-install units and underlines Optex's absolute commitment to provide detectors with unprecedented reliability and detection performance at very reasonable prices.

Incorporating patented Anti-Crosstalk Technology, which prevents false alarms caused by microwave interference when several detectors are operating in the same area, and also Quad Zone Logic, which discriminates between humans and other sources of infrared, the MX Series is unrivalled in its performance.

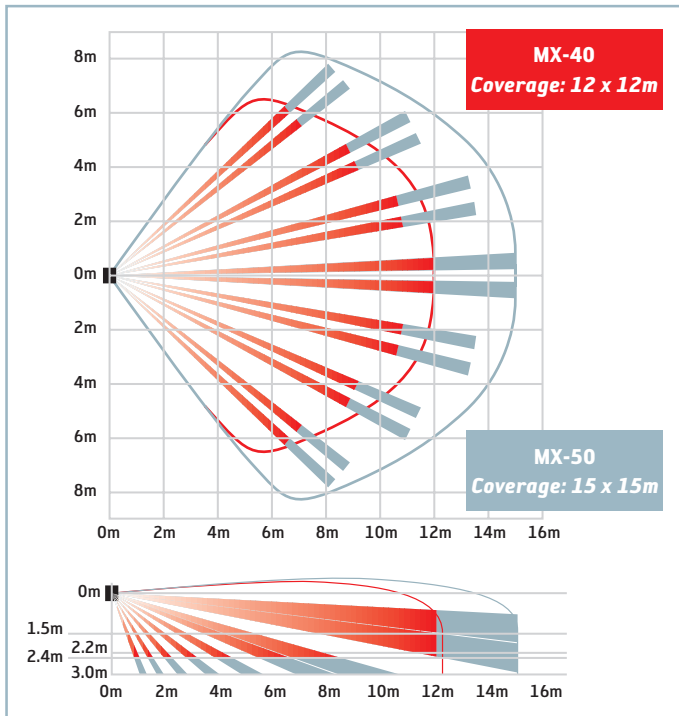
### FEATURES

- **Patented Quad Zone Logic**
- **Spherical Lens Design**
- **Anti-Crosstalk Technology (Patent Pending)**
- **Noise Reduction Circuit**
- **100% factory-tested for reliability**

### OPTIONS

- **MX-40QZ** – standard model with Quad Zone Logic (12m range)
- **MX-40PT** – standard model with Pet Tolerance (12m range)
- **MX-50QZ** – standard model with Quad Zone Logic (15m range)

### COVERAGE



# MX-40QZ/40PT/50QZ

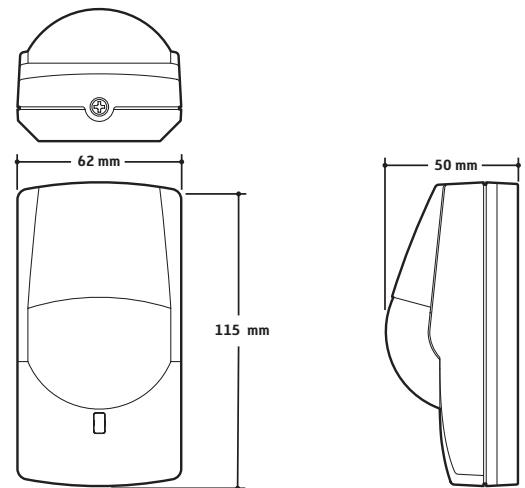
## PIR/MICROWAVE COMBINATION DETECTORS



### ACCESSORIES

- **FA-3: Wall and ceiling mounting bracket**

### DIMENSIONS



### SPECIFICATIONS



78 zones  
(PIR)



9.5 -  
16.0V DC



MX-40QZ/40PT  
18 mA (max.) at 12V DC  
MX-50QZ  
20 mA (max.) at 12V DC



-10°C



+55°C



110g



Pulse Count  
20 secs.  
2 or 4 (approx.)



Alarm Output  
N.C.  
28V, 0.2A (max.)



Tamper  
N.C.



Mounting height  
MX-40QZ/40PT - 1.5 - 2.4m  
MX-50QZ - 2.2 - 3.0m