

The Redwide® 5030 offers wide-angle detection for large external areas. It is able to achieve this by combining a high grade, gold plated optical array with three dual element pyroelectric sensors. This combination achieves significant coverage with a low potential for false alarms. Designed for use with CCTV, the detector coverage matches popular camera/lens combinations.

The sensor can be accurately aligned using the optical viewer provided and stability of detection checked with the LRP 1020 Walktester (optional – see page 19).

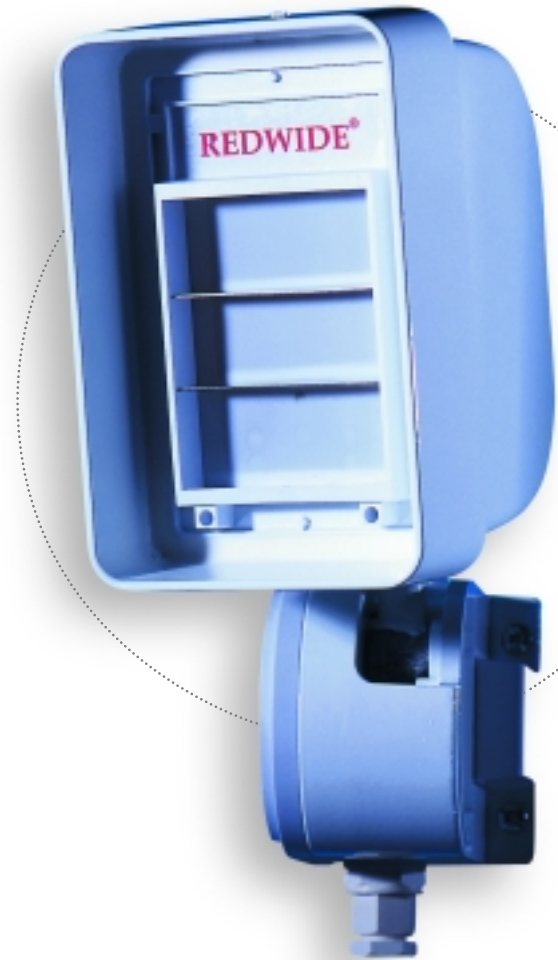
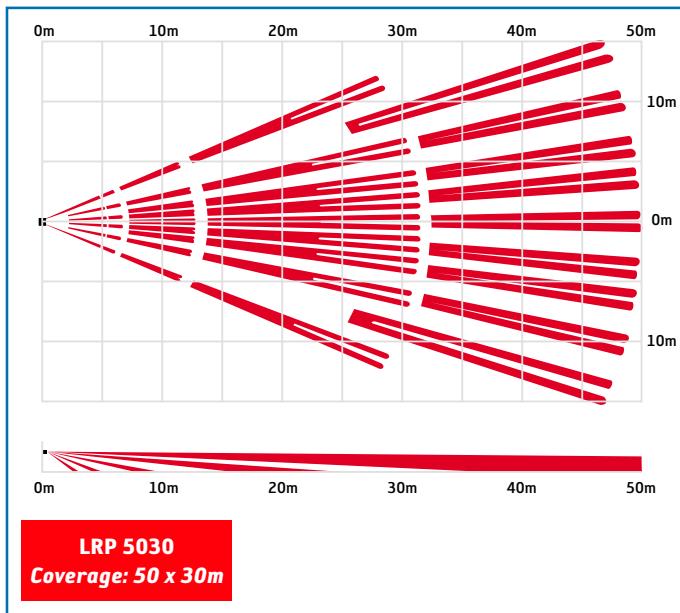
FEATURES

- Triple electronic processors
- Gold coated optics
- Triple dual element sensors
- All metal construction
- Integral mounting bracket
- Alignment viewer
- Patented optical array
- Low power consumption

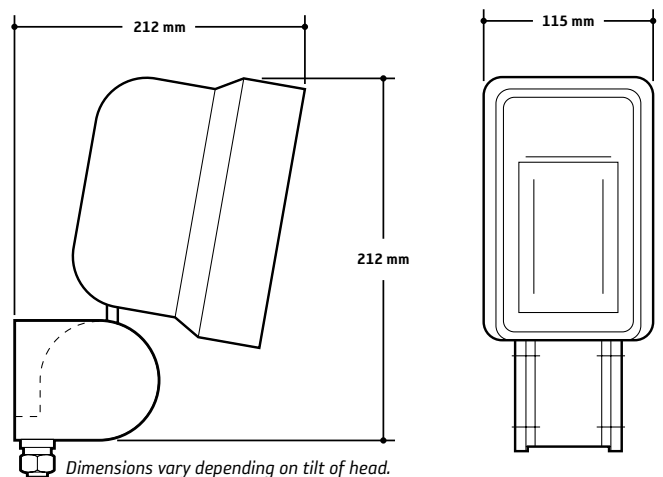
OPTIONS

- Heated version (add 'H' to product code)
- Sun/snow shield
- 24 V AC input (add '-24V' to product code)

COVERAGE



DIMENSIONS



SPECIFICATIONS

- | | | | | | | | | |
|--|---|---|---|---|---|---|---|---|
|  |  |  |  |  |  |  |  |  |
| 78
39 Pairs | 11-16V
DC | 25mA/
330mA
(with heater) | -10°C
-40°C
(with heater) | +50°C | 2Kg | IP64 | Output
Form 1C
30V - 1 amp | Tamper
Form 1B
30V - 1 amp |