

# LRP 4010S/3020S/404

MEDIUM-RANGE PIRs

Super Redwall® 4010S, 3020S and 404 sensors are specifically designed for use in small to medium sized external areas. Their rugged construction and reliable operation make them ideal for use as motion detectors in CCTV applications. The inclusion of dual sensors and processors plus high and medium sensitivity settings results in a full specification sensor for the smaller installation.

The all metal housing of the sensors provides a stable environment for the detection electronics. The head adjustments are tamper protected to prevent sensors being re-aligned by unauthorised personnel.

Sensors come complete with all fixings.

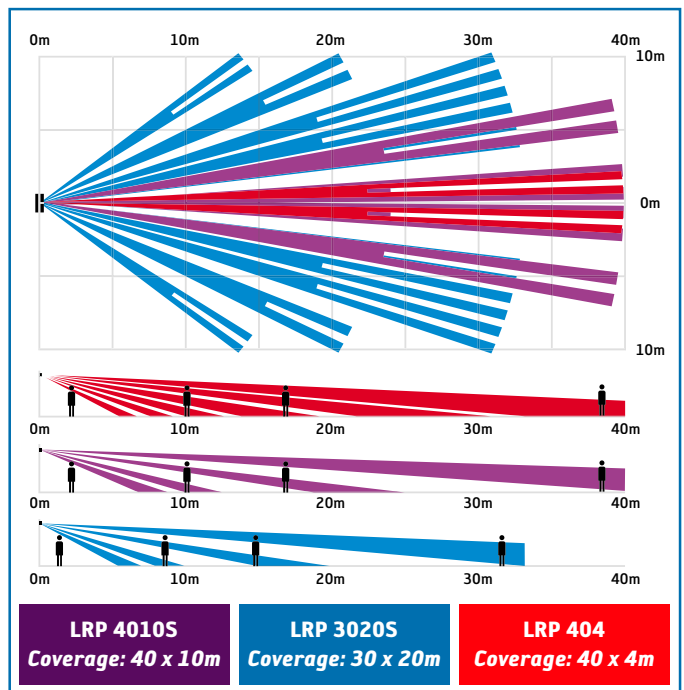
## FEATURES

- Rugged, all metal construction
- Twin dual sensors
- Tamper protected
- IP65 rated
- Low power consumption
- Accurate alignment
- Advanced temperature compensation circuit
- Patented Double Conductive Shielding
- Selectable sensitivity switch

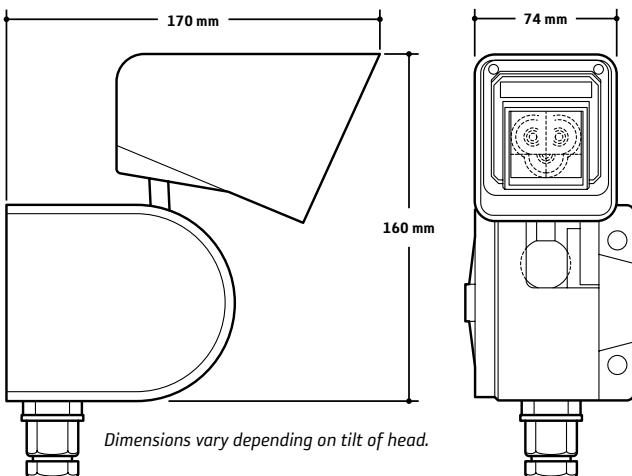
## OPTIONS

- Heated version (add 'H' to product code)
- Sun/snow shield

## COVERAGE



## DIMENSIONS



## SPECIFICATIONS



**Optex (Europe) Ltd.**

For further information visit our web site: [www.optexeurope.com](http://www.optexeurope.com)