

## PASSIVE INFRARED DETECTORS

The FX Series is designed to provide stable and reliable detection in the most hostile of environments, where many other detectors struggle to function. The highly accurate and reliable detection pattern maintains its sensitivity throughout the detection area even in high temperature or low contrast environments such as conservatories.

Using patented Quad Zone Logic, the FX Series is able to detect the smallest temperature contrast against the background temperature, enabling it to discriminate between humans and other sources of infrared.

The superior SQ versions are designed for the commercial market and utilise Super Quad Zone Logic for even greater reliability. They also incorporate Double Conductive Shielding, which helps minimise false alarms from direct or reflected sunlight and car headlights.

### FEATURES

- **Patented Quad Zone Logic**
- **Patented Double Conductive Shielding (FX-50SQ/50SQL)**
- **Temperature Compensation**
- **Spherical Lens Design**
- **Sealed Optics**
- **Selectable alarm memory polarity (FX-50QZL/50SQL)**
- **100% factory-tested for reliability**

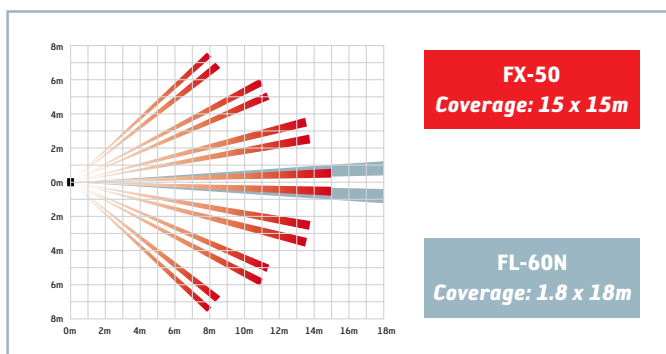
### OPTIONS

- **FX-50QZ – standard model featuring Quad Zone Logic**
- **FX-50QZL – FX-50QZ with alarm memory latch**
- **FX-50SQ – superior model with additional Double Conductive Shielding**
- **FX-50SQL – FX-50SQ with alarm memory latch**

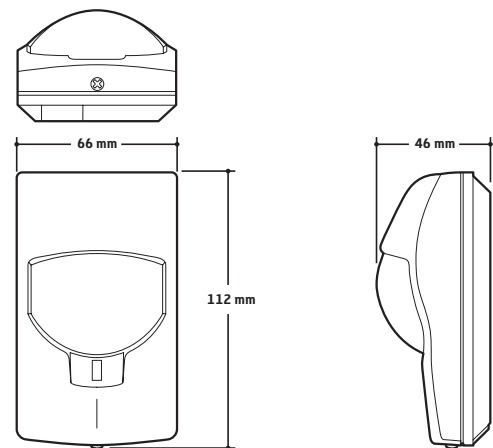
### ACCESSORIES

- **FA-3: Wall and ceiling mounting bracket:**
- **FL-60N: 18m long-range lens (pack of 5)**

### COVERAGE



### DIMENSIONS



### SPECIFICATIONS



78



9.5 -  
16.0V DC



FX-50QZ/50SQ - 8mA (normal), 11mA (max.)  
FX-50QZL/50SQL - 8mA (normal), 16mA (max.)  
at 12V DC



-20°C



+50°C



90g



Pulse Count  
20 secs.  
2 or 4 (approx.)



Alarm Output  
N.C.  
28V, 0.2A (max.)



Tamper  
N.C.

The CX-502 Series is designed to give extremely stable detection performance in a variety of commercial applications. With patented Super Quad Zone Logic, sensitivity is maintained through the entire coverage area, even in high temperature areas or in applications with low temperature contrast. Combined with Double Conductive Shielding and Temperature Compensation, a high level of false alarm protection is guaranteed.

The CX-502AM, with its unique Multi Anti-Masking Technology, is able to detect when it has been masked with either clear or opaque spray or with an object, such as a sticker or sticky tape, even when these are transparent. It can also detect the presence of black paper in front of it from a distance of 30cm. Add to this the unique Self-Check function, which regularly tests to ensure that the unit is functioning correctly, and you have a sensor of exceptional performance and reliability.

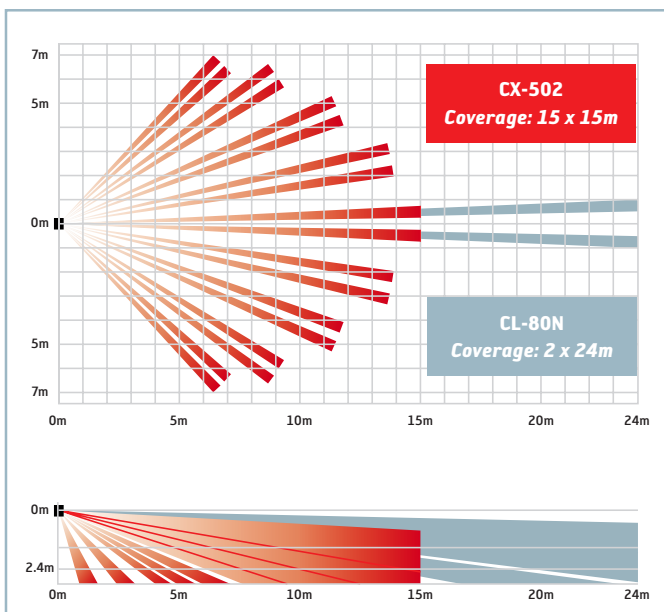
### FEATURES

- Patented Quad Zone Logic
- Patented Double Conductive Shielding
- Temperature Compensation
- Self Checking function (CX-502AM)
- Patented Multi Anti-Masking Technology (CX-502AM)
- Anti-magnet, silent Photo-Moss relays
- 100% factory-tested for reliability

### OPTIONS

- CX-502 – standard model
- CX-502AM – standard model with anti-masking functions

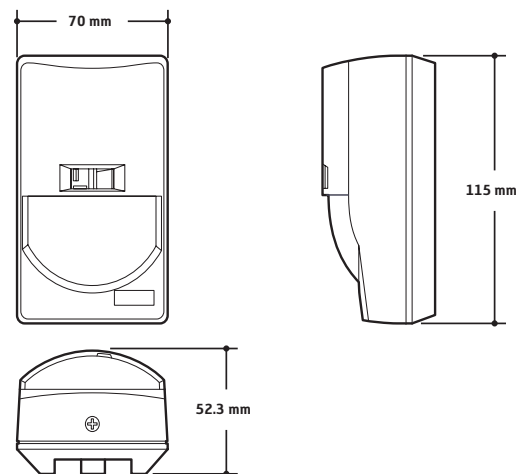
### COVERAGE



### ACCESSORIES

- EA-1W: Wall mounting bracket
- FA-1W: Multi-angle wall mounting bracket
- FA-2C: Multi-angle ceiling mounting bracket
- FA-3: Wall and ceiling mounting bracket
- CL-80N: Long-range lens (24m x 2.3m)

### DIMENSIONS



### SPECIFICATIONS



82 Wide



9.0 - 18.0V DC



CX-502 - 5mA (normal)  
12mA (max.)  
CX-502AM - 7mA (normal)  
15mA (max.) at 12V DC



-20°C



+50°C



CX-502 - 120g  
CX-502AM - 135g



Pulse Count

Standard mode: Pulse count 2, approx. 20 secs.  
Special mode: Pulse count 3, approx. 8 secs.



Alarm Output  
N.C.  
28V, 0.2A (max.)



Tamper  
N.C.