

# FX-360/360LP

## CEILING-MOUNT PIR DETECTORS

The FX-360 ceiling-mount detector with its unique, highly durable spherical lens offers unparalleled 360° detection performance. False alarm protection technologies, such as RFI Protection, Temperature Protection and Noise Reduction, come as standard, giving the FX-360 the most unbeatable reliability in its class.

The FX Series is extremely cost effective and its sleek and compact design suits all types of installation applications.

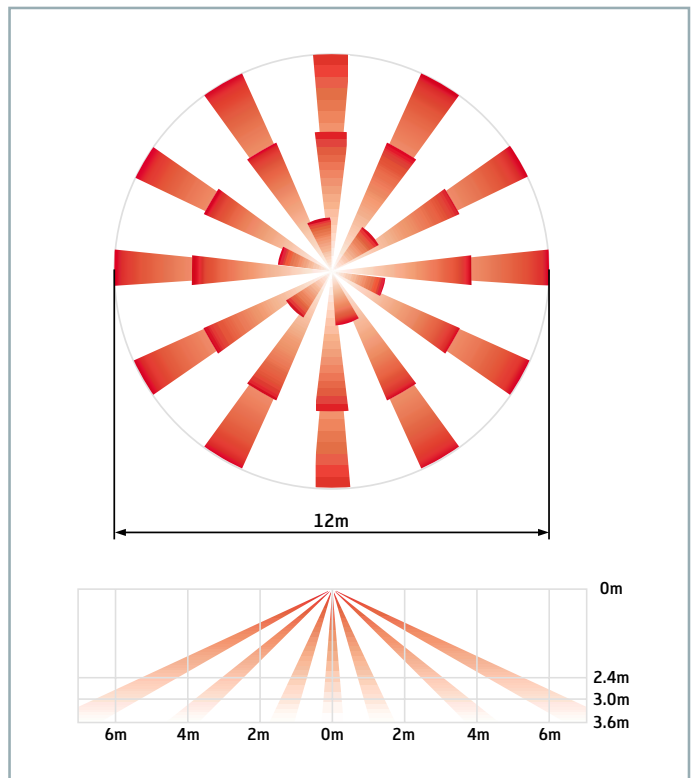
### FEATURES

- **Spherical Lens Design**
- **RFI Protection**
- **Temperature Protection**
- **Noise Reduction Circuit**
- **Selectable pulse count: 2 or 4**
- **100% factory-tested for reliability**

### OPTIONS

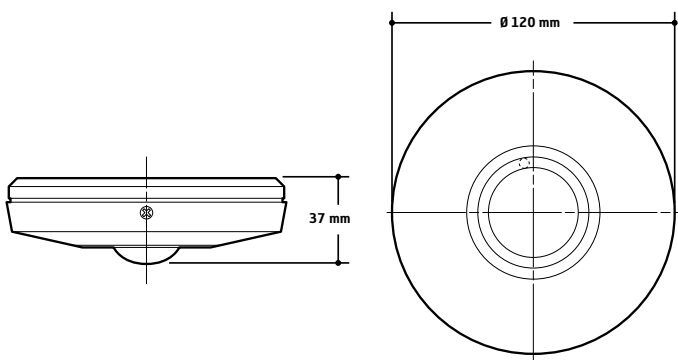
- **FX-360 – standard model**
- **FX-360LP – standard model with alarm memory latch**

### COVERAGE



*N.B. For ceiling mounting only*

### DIMENSIONS



### SPECIFICATIONS



62



9.5 -  
18.0V DC



FX-360 - 17mA (normal), 18mA (max.)  
FX-360LP - 17mA (normal), 25mA (max.)  
at 12V DC



-20°C



+50°C



140g



Pulse Count  
Selectable pulse  
count: 2 or 4



Alarm Output  
N.C.  
28V, 0.2A (max.)



Tamper  
N.C.



Alarm memory  
System armed:  
+5 - 20V DC