

# EX-35T/35V(P)/35R

## PASSIVE INFRARED DETECTORS



The EX Series provides low cost detection without compromising quality. It combines a unique dual-purpose lens, patented Multi-Focus Technology and Selectable Sensitivity to create four precise detection patterns - wide-angle or long-range and multi-level or pet alley. This makes the unit very versatile and ideal for many applications where the need is for reliable detection on a tight budget.

The unique spherical lens design makes the unit attractive yet robust and, combined with patented Multi-Focus Technology, it eliminates sensitivity problems frequently caused by changes in detection patterns.

### FEATURES

- **Spherical Lens Design**
- **Wide-angle or long-range detection in Multi-Level or Pet Alley patterns**
- **High detection sensitivity**
- **Stable even in high temperature conditions**
- **Selectable pulse count: 2 or 4**
- **100% factory-tested for reliability**

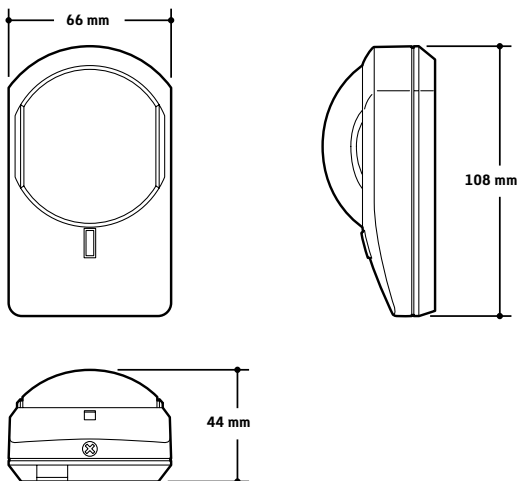
### OPTIONS

- **EX-35T – standard model**
- **EX-35V(P) – standard model with alarm memory latch**
- **EX-35R – low current battery version for wireless applications**

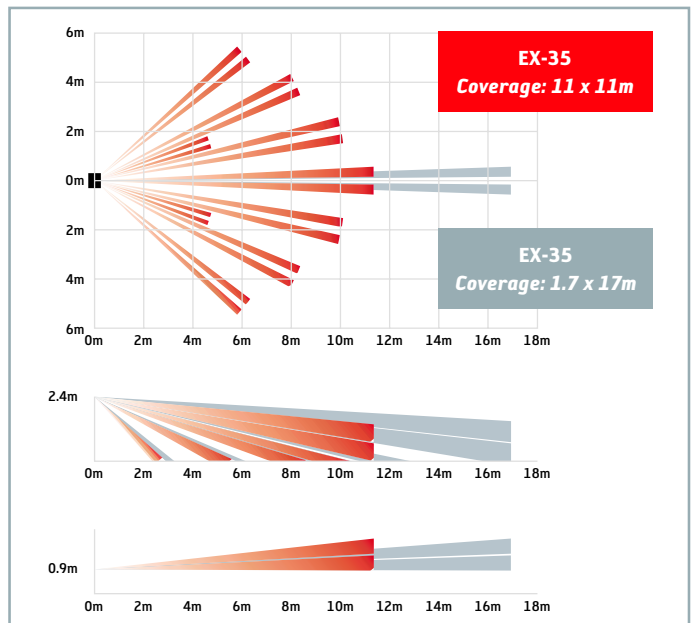
### ACCESSORIES

- **FA-2C: Multi-angle ceiling mounting bracket**




### DIMENSIONS



### COVERAGE



### SPECIFICATIONS

								
64 Wide (28 pet alley) 12 Long (4 pet alley)	EX-35T/35V - 9.5-14.0V DC EX-35R - 2.3-10.0V DC alkaline or lithium battery	EX-35T - 8mA (normal), 11mA (max.) EX-35V - 18mA (normal), 25mA (max.) EX-35R - 3.5mA Standby 10mA walk test, LED on	EX-35T/35V -20°C EX-35R -10°C	+50°C	EX-35T/35V - 90g EX-35R - 142g	Pulse Count 20 secs. 2 or 4 (approx.)	Alarm Output EX-35T/35V - N.C. 28V, 0.2A (max.) EX-35R - N.C./N.O. solid state switch 10V, 0.01A (max.)	Tamper N.C.