

AX-BT/WMT

PHOTOELECTRIC BEAM TOWER

The AX-BT and AX-WMT are attractive, robust housings for the AX Series of photoelectric beams. The housings hide the height, direction and number of beams enclosed and greatly increase system security. The extruded aluminium frame and use of acrylic materials ensure that the housings will remain attractive over their installed lifetime. Towers can be fitted with heaters and thermostats and an optional anti-climb top tamper cap is available to detect attempts by intruders to climb over the tower.

FEATURES

- Beams can be mounted at any height and direction in the tower
- Supplied with anti-tamper and full fixing kit
- Wall mounted or free standing options
- 360° unobstructed view for beams
- Durable construction

OPTIONS

- AX-BT - floor mounting tower
- AX-WMT - wall mounting tower

ACCESSORIES

- TW-TT0: Anti-climb top tamper kit
- BT-F: Floor bracket to set into concrete
- BT-C: Replacement front cover
- BT-H: Heater
- BT-TC: Replacement top cover
- BT-TH: Thermostat
- BT-W: Wall bracket

INSTALLATION

The following Photobeams are suitable for installation in the AX-BT or AX-WMT beam towers:

- AX-250 PLUS
- AX-500 PLUS
- AX-350 MKII
- AX-650 MKII

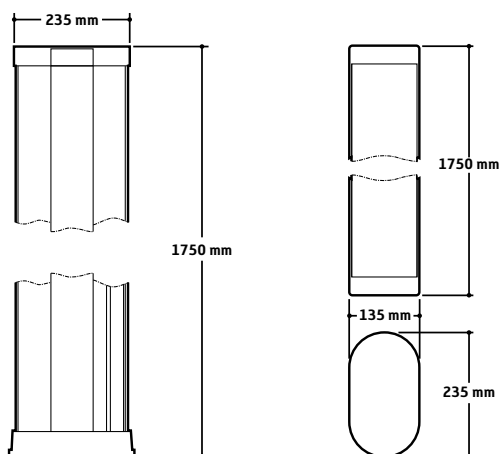
The following Photobeams are suitable for installation in the AX-BT or AX-WMT beam towers using the AX-BTCP conversion plate:

- AX-70T
- AX-130T
- AX-100 PLUS/ALPHA
- AX-200 PLUS/ALPHA



AX-WMT, wall mount version

DIMENSIONS



AX-BT, floor mount version