



SELECTABLE BEAM FREQUENCY
SHORT RANGE PHOTOELECTRIC DETECTOR

AX-100/200TF



The Best Short Range Photoelectric Detector

AX-100/200TF is a compact photoelectric detector with "the IP65 high durability", and "stable detection performance".

These features reduce false alarms drastically caused by outdoor severe environmental changes and provide a wide range of applications.

FEATURES

IP65 structure with high sealing rubber packing

Rubber packing is used for all conceivable points where water or dust may penetrate, such as wiring holes, wire ports and the outer chassis. Prevention from dust, bugs and water delivers performance with higher reliability against false alarms and breakdowns.

IP65

Waterproof

Protected against water jets from any direction

Dust-tight

No ingress of dust.

International Protection Code

It shows the degrees of protection provided by enclosures.



5 degrees of water conditions were used to evaluate the protection against water

Tests were conducted using a water jet stream that applied 12.5 liters/min of water at a distance of approximately 3 meters for roughly 3 minutes. This test was directly applied to the chassis of the AX-TF series.

The tests resulted with the AX-TF series unit undamaged due to the highly durable IP65 rated structure. It aids in the prevention of water damage to the unit while keeping the detector operating accurately in outdoor environments.



Anti-frost hood cover

A hood is installed to prevent frost forming on lower beams. It also makes the maintenance easy because the surface of the cover is flat.

Lightning protection

An improved Electro-Magnetic Interference surge absorber and high surge resistive relay has been installed to protect from lightning surges and maintain stable operation.

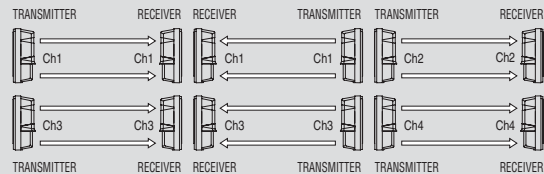
Selectable beam frequencies

The selectable beam frequencies can be used to avoid unwanted crosstalk that can occur when using multiple photobeams for long distance or beam stacking applications.

1. Long distance stacking



2. Two beam long distance



D.Q. Circuit

D.Q. circuit (environmental disqualification) sends a trouble signal when the beam strength is below and acceptable level due to heavy fog, rain, snow or other changes in the installation site. The trouble signal output continues as long as the beam strength is below an acceptable level.

4 step alarm indicator LED for fast & accurate optical alignment

The alignment condition is visually displayed on the LED. It shows the alignment condition by using 4 different process to achieve accurate and easy alignment before fine tuning.

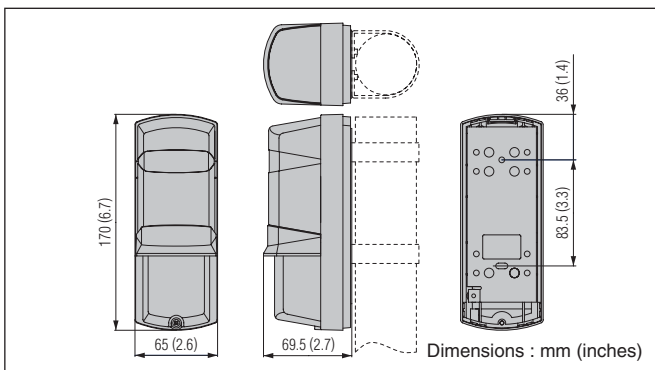
SPECIFICATIONS

Model	AX-100TF	AX-200TF
Detection method	Infrared beam interruption detection	
Maximum detection range	30m (100ft.)	60m (200ft.)
Maximum arrival range	300m (1000ft.)	600m (2000ft.)
Interruption period	Selectable between 50, 100, 250, and 500m sec.	
Selectable beam frequency	4 channel	
Power supply	10.5 - 28V DC	
Current consumption (transmitter + receiver)	44mA (max.)	48mA (max.)
Alarm period	2sec. (±1) nominal	
Alarm output	N.C./N.O. 28V DC, 0.2A (max.)	
D.Q. output	N.C. 28V DC, 0.2A (max.)	
Tamper switch	Opens when cover is removed at 28V DC, 0.2A max.	
Operating temperature	-35°C to +60°C (-31°F to +140°F) Use the optional heating unit (HU-3) in conditions of -25°C (-13°F) or below.	
Operating humidity	95% max.	
Alignment angle	± 90° Horizontal, ± 5° Vertical	
Mounting	Wall and pole mounting	
Weight (transmitter + receiver)	700g (24.7oz.)	
Housing protection (EN 00529)	IP65	

*Specifications and design are subject to change without prior notice.

NOTE: These units are designed to detect an intruder and activate an alarm control panel. Being only a part of a complete system, we cannot accept responsibility for any damages or other consequences resulting from an intrusion. These products conform to the EMC Directive 89/336 ECC.

DIMENSIONS



OPTIONS



HU-3 : Heating Unit

Heating unit for severe low temperature conditions
24V DC/AC, 420mA max. 1 set (2 units)

BC-3 : Back Cover

Can be used to cover mounting pole.
1 set (2 units)

PSC-3 : Pole Side Cover

Cover for installing 2 units to 1 pole.
1 set (2 units)



OPTEX CO., LTD.

(ISO 9001 Certified by LRQA / ISO14001 Certified by JET)

5-8-12 Ogoto, Otsu, Shiga, 520-0101 Japan

TEL +81(0)77 579 8670 FAX +81(0)77 579 8190

<http://www.optex.co.jp>

OPTEX INCORPORATED (USA)

<http://www.optexamerica.com>

OPTEX (EUROPE) LTD. (UK)

<http://www.optexeurope.com>

(ISO9001 Certified by NQA)

OPTEX SECURITY SAS (FRANCE)

<http://www.optex-security.com>

OPTEX KOREA CO., LTD. (KOREA)

<http://www.optexkorea.com>

OPTEX SECURITY Sp. z o.o. (POLAND)