

AX-100S/100SR

INFRARED PHOTOELECTRIC BEAM

AX-100 Series Photobeams are single beam, surface and flush mount photoelectric detectors designed for short-range indoor applications. They provide a high level of protection against sunlight, fluorescent and incandescent lamps by using crystal-oscillated dual-modulated pulsed beam technology. Installation and setup is made particularly easy - an LED visibly confirms proper alignment whilst Multi-Focus Optics eliminate the need for vertical alignment.

FEATURES

- Multi-Focus Optics
- Crystal-oscillated dual-modulated pulsed beam technology
- LED alignment indicator

RANGES

| | Indoors |
|----------|---------|
| AX-100S | 30m |
| AX-100SR | 30m |

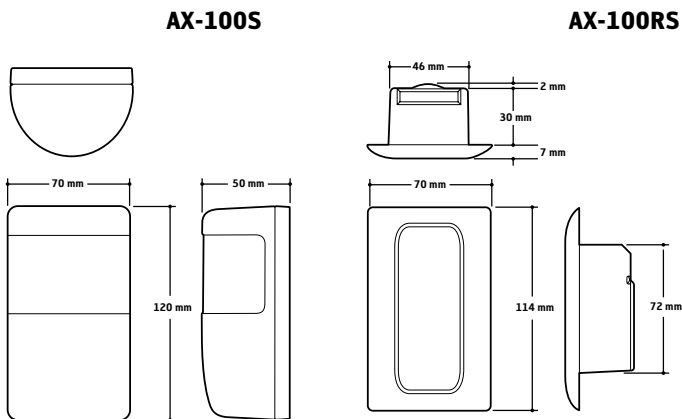
OPTIONS

- AX-100S - surface mount model
- AX-100SR - flush mount model

ACCESSORIES

- FR-100: Mounting hardware for AX-100SR


DIMENSIONS



SPECIFICATIONS



8.0 -
18.0V DC



Transmitter: 27mA
Receiver: 25mA



-20°C



+50°C



AX-100S - 240g
AX-100SR - 160g



Output
N.C.
28V, 0.2A (max.)



Tamper
N.C.